

Zirkon® DIS Pool

Article Number S24135288K

Order Code 237513110



KUNTZE Sensors stand for quality and are manufactured by our own production. Made in Germany.

Zirkon® DIS Pool is a potentiostatic sensor using an amperometric measurement. Measurement parameter and range are selected in the analyzer software.

Advantages of the Zirkon® DIS Pool

- Automatic cleaning by ASR® possible
- Low maintenance due to gel filling
- Stable zeropoint
- High quality Zirkon junction for reliable measurement results

Measuring Parameter

Free Chlorine up to 1000 ppb; up to 5,00 / 10,00 / 20,00 ppm

Chlorine Dioxide up to 1000 ppb; up to 5,00 / 10,00 / 20,00 ppm

Ozone up to 1000 ppb; up to 5,00 / 10,00 / 20,00 ppm

Process Conditions

Max. Pressure <145 psi at 68°F

Temperature 25...160°F

Mechanical Construction

Junction Zirkon

Shaft Material Glass

Shaft Length 80 mm

Shaft Diameter 12 mm

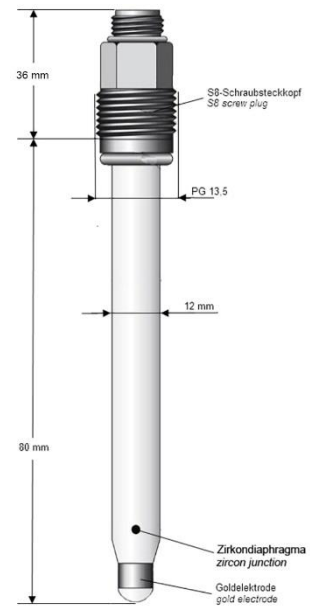
Electrode Material Gold Ring

Reference System Ag / AgCl / saturated KCl

Process Connection S8 Plug (Swivel PG 13.5)

Electrical Connection 6 Poles

Mechanical Drawing



Zirkon® DIS Pool
S24135288K