

## Zirkon<sup>®</sup> Redox Wide Body



Zirkon<sup>®</sup> Redox Wide Body

Kuntze sensors stand for quality and are manufactured by our own production. Made in Germany.

### Application

- > Flotation
- > Leaching
- > Neutralization
- > Outlet monitoring

### Advantages

- > With electrolyte bridge for better protection against electrode poisons
- > Coaxial Teflon Reference, designed to withstand tough industrial applications
- > Threaded connection NPT 3/4" top and bottom for easy installation at user end
- > Redox electrodes with or without integrated temperature sensor
- > Protection guard against damage
- > Built in solution ground available

### Measuring Parameter

- > ORP: -1500... +1500 mV

### Process Conditions

- > Max. Pressure: Up to 10 bar
- > Min. Conductivity: 150 µS/cm
- > Temperature: -5...+70 °C

### Mechanical Construction

- > Wetted materials: PPS, PTFE, Platinum, Glass
- > Shaft length: 150 mm with protective guard
- > Immersion depth: 15 mm
- > Process connection: 0,75° NPT
- > Reference: Double junction Ag / AgCl
- > Measuring electrode: Platinum cap
- > Temperature sensor: None, Pt100, Pt1000 or NTC
- > Built in solution ground: Available
- > Connection: Plug or fixed cable

Further details and other options:  
See **Order Code**

### Article No. / Order Code

#### **S24136511K / 2191100010:**

With protection guard, platinum cap, 2-pol. connection for S8 cable

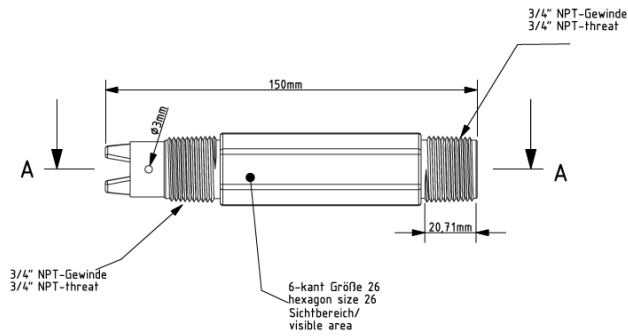
#### **S24136512K / 219110003K06:**

With protection guard, platinum cap, fixed cable 3 mm with BNC, length 6 m

#### **S24136513K / 219112104K06:**

With protection guard, platinum cap, Pt1000, built in solution ground, fixed cable with ferrules, length 6 m

## Mechanical drawing



## Order Code

<b>Group</b>	219	Zirkon® Redox Wide Body
<b>Protective guard</b>	0	None
	1	With
<b>Measuring electrode</b>	1	Platinum cap
<b>Temperature sensor</b>	0	None
	1	Pt 100
	2	Pt 1000
	3	NTC 30 kΩ
	9	Customer specification
<b>Solution ground</b>	0	None
	1	Built in
<b>Electrolyte (contact to process)</b>	0	Tepoxgel
	9	Customer specification
<b>Connection</b>	1	2-pole screw connection (temperature sensor 0 and solution ground 0 only)
	2	VP Variopin plug
	3	Fixed cable 3 mm with BNC (temperature sensor 0 and solution ground 0 only)
	4	Fixed cable 7,5 mm with ferrules
	9	Customer specification
<b>Other</b>	0	None
	K06	Fixed cable length 6 m
	9	Customer specification



### Kuntze Instruments GmbH

Robert-Bosch-Str. 7a  
40688 Meerbusch  
Germany

+49 2150 70660  
info@kuntze.com  
www.kuntze.com