

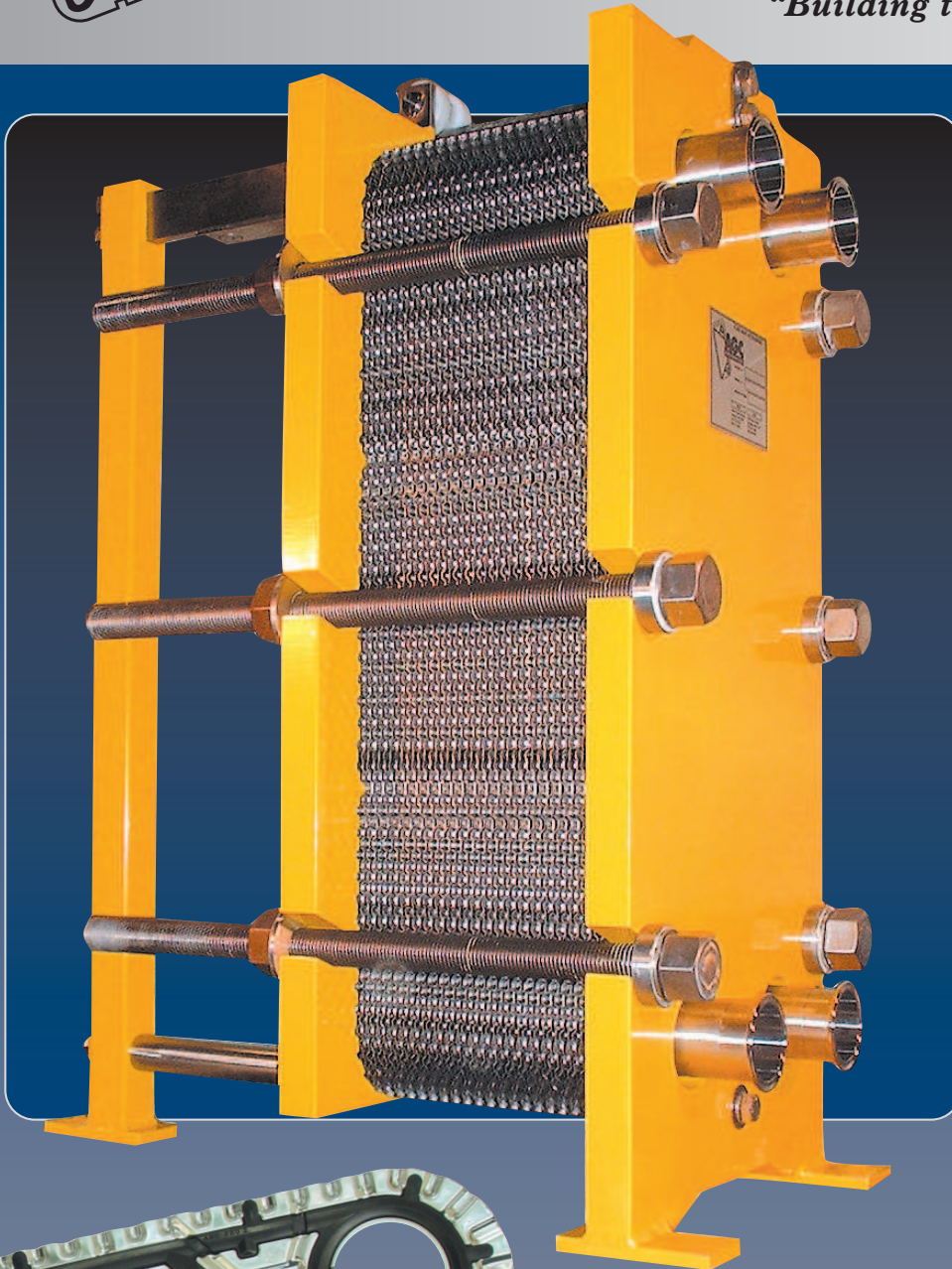


AGC™
HEAT TRANSFER

PRO2-F

PLATE HEAT EXCHANGER FRAME

"Building the best, servicing the rest"™



QUALITY

- Sanitary polished finish applied to all stainless steel parts.
- Operating pressures up to 150 psig [10 bar].
- Made in the USA.

DEPENDABILITY

- All sanitary stainless steel wetted parts.
- Heavy duty corrosion resistant powder coating to protect frame.
- Oversized tie bolts for easy open/close operation.

RELIABILITY

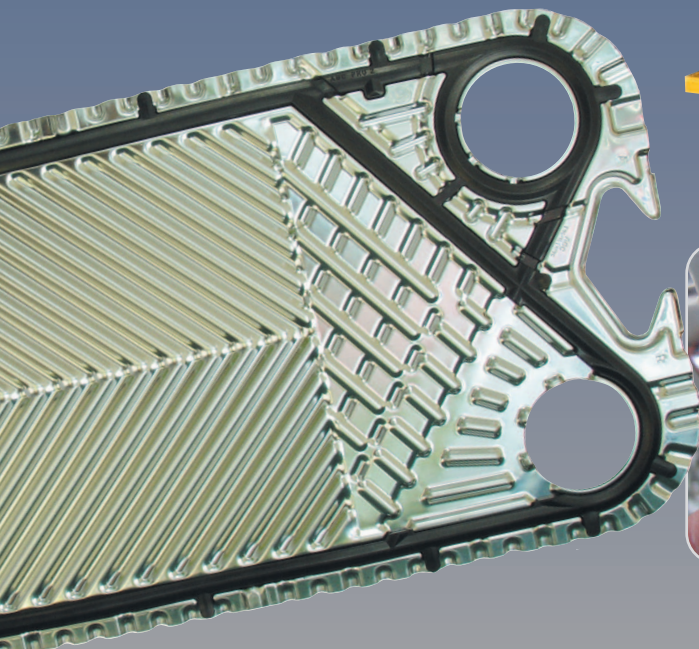
- Strong solid steel plate - rugged and proven design.
- Enclosed tie bolt bearings.
- Heavy wall port nozzle connections as standard.

EXPANDABILITY

- Frames supplied for plate expandability.
- All eight ports available for future duty expansions.
- Terminals available to safely separate heating, cooling or regeneration sections.

PLATES

- Pro2 plates measure 331/4" x 117/8" [855 x 302 mm] - Made in the USA.
- Made of a heavy 0.7mm thick, 316 stainless steel with a high quality sanitary finish.
- Features an improved heat transfer pattern and a wide gap to resist fouling.
- Line-contact support points to increase the life of the plate.
- Increased entrance area cross-section to decrease pressure loss.
- Solid metal-to-metal contact to allow high operational pressures.

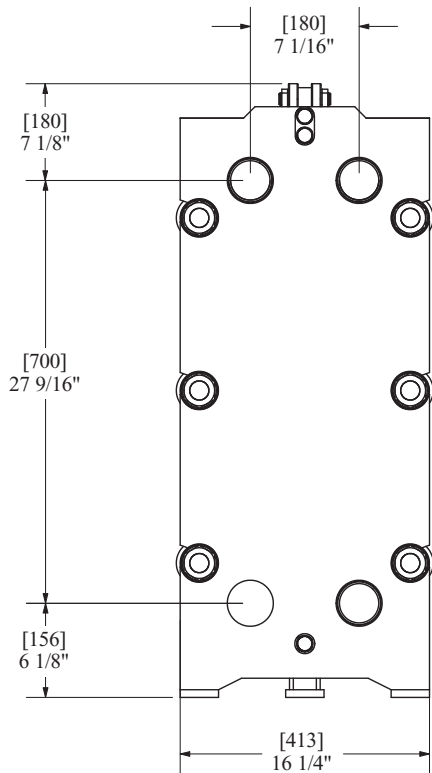


Improved Entrance Area

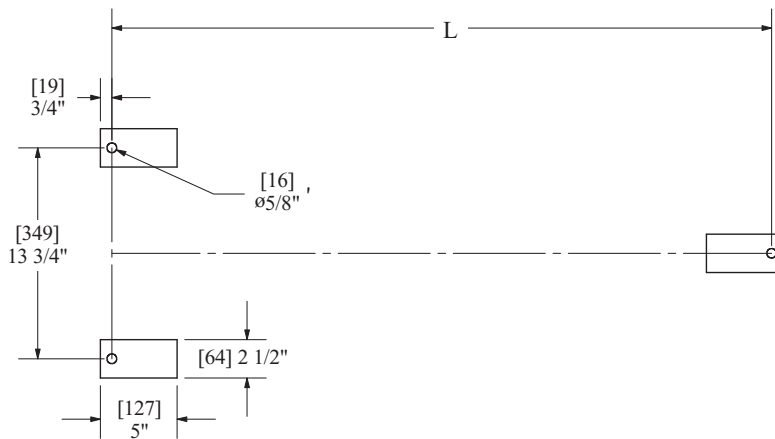
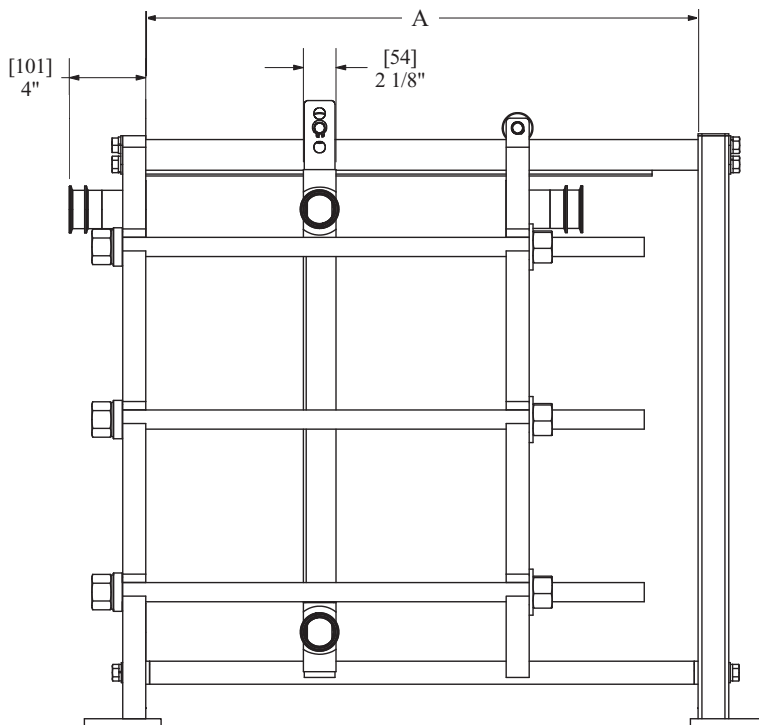


AGC™
HEAT TRANSFER

PRO2-F



This drawing is the confidential property of AGC HEAT TRANSFER and it must not be reproduced in any form without written consent



GENERAL INFORMATION

Plate and Gasket Weight:	3.5 lbs 316 S.S. / 1.58 kg 1.9 lbs Titanium / 0.86 kg
Plate Capacity:	0.16 US Gallons / 0.61 l
Heat Transfer Area:	1.87 ft ² / 0.17 m ²
Plate Thickness:	0.7 mm
Frame Weight: (according to size)	530-730 lbs / 240-331 kg
Standard Frame Connections:	2 1/2" Sanitary Clamp
Terminal Connections:	2" Sanitary Clamp
Terminal Weight:	130 lbs / 59 kg

FRAME SIZE	FOOT CENTERS [L]	RAIL LENGTH [A]	PLATE CAPACITY
2	31" [788]	24" [610]	84
3	43" [1092]	36" [915]	136
4	55" [1398]	48" [1219]	188
5	67" [1702]	60" [1524]	239
6	79" [2007]	72" [1829]	291

Dimensions not to be used for construction



Western
9109 SE 64th Ave.
Portland, OR 97206
503.774.7342
800.715.8820
FAX 503.774.2550

Central
8400 Lakeview Parkway
Suite 700
Pleasant Prairie, WI 53158
847.301.6890
FAX 503.774.2550

Eastern
10129 Piper Lane
Bristow, VA 20136
703.257.1660
800.825.8820
FAX 703.330.7940

