

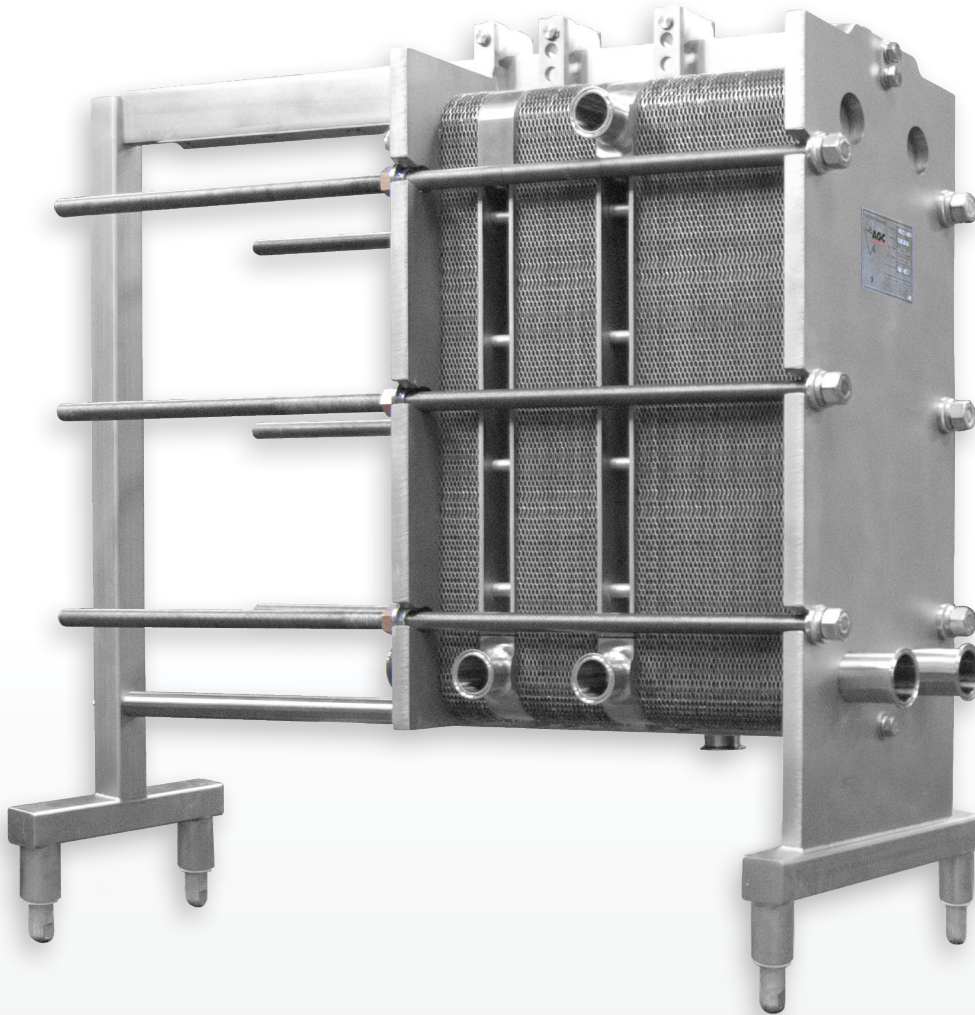


AGC™
HEAT TRANSFER

PRO2-XPL

PLATE HEAT EXCHANGER FRAME

"Building the best, servicing the rest"™



QUALITY

- Skillfully crafted to 3-A sanitary standards.
- Working pressures up to 10 bar (150 PSI).
- Made in the USA.

DEPENDABILITY

- Solid Stainless Steel Hygienic Frame.
- Oversized tie bolts for easy open/close operation.

RELIABILITY

- All wetted parts in ANSI 316 stainless steel.

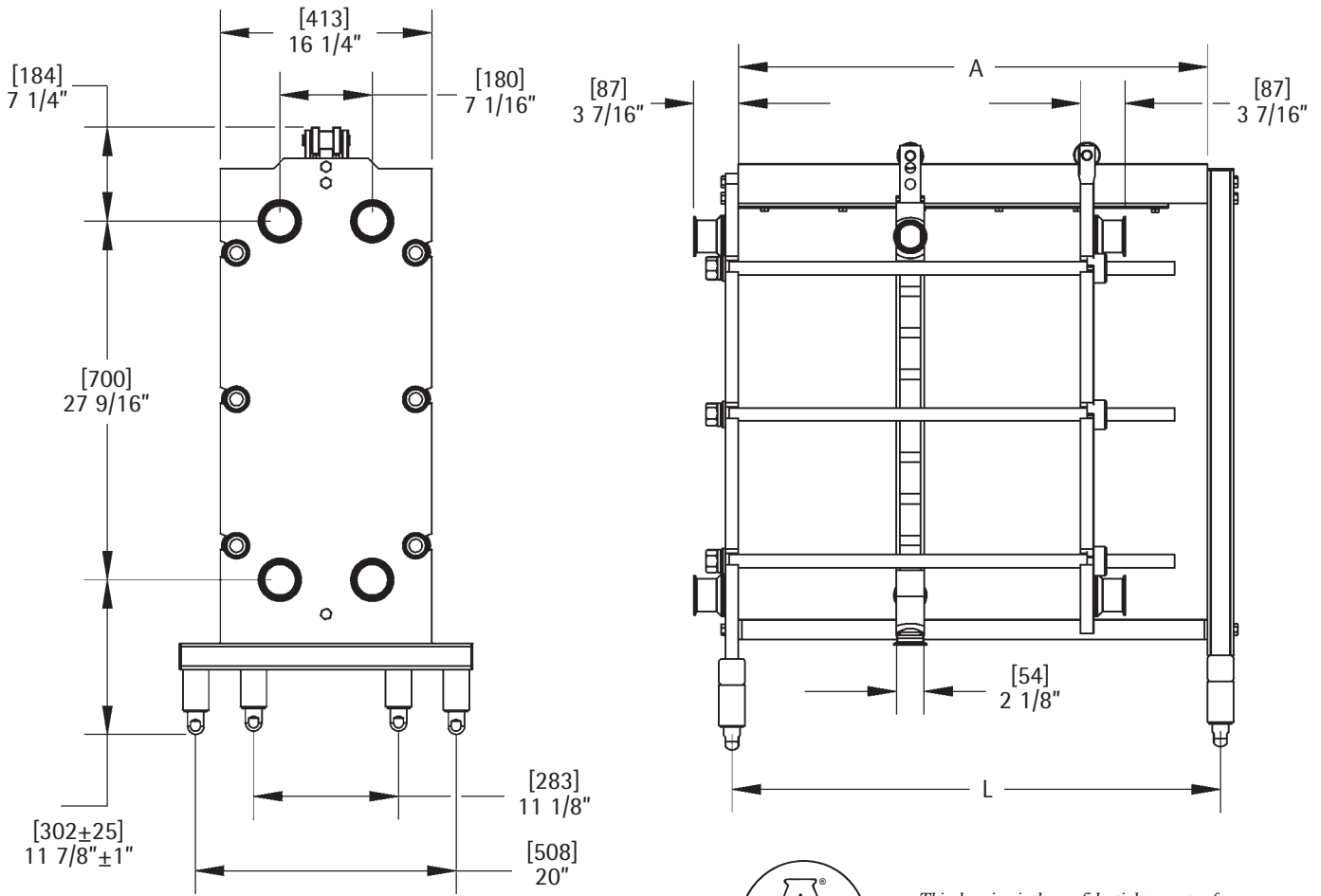
EXPANDABILITY

- Frames supplied for plate expandability.
- Terminals available to safely separate heating, cooling or regeneration sections.
- Easily reconfigurable ports

PLATES

- High-efficiency Pro2Plus plates or wider-gap Pro2. Made in the USA.
- Line-contact support points to increase the life of the plate.
- Increased entrance area cross-section to reduce pressure loss.
- Solid metal-to-metal contact to allow high operational pressures.
- Snap-in gasket

PRO2-XPL



This drawing is the confidential property of AGC HEAT TRANSFER and it must not be reproduced in any form without written consent

GENERAL INFORMATION

	PRO2	PRO2PLUS
Plate and Gasket Weight:	316 Stainless 1.58 kg [3.5 lbs] C-276 Alloy 2.37 kg [5.25 lbs]	316 Stainless 1.18 kg [2.6 lbs] C-276 Alloy 1.77 kg [3.9 lbs]
Plate Capacity:	0.61 L [0.16 US Gallons]	0.45 L [0.12 US Gallons]
Heat Transfer Area:	0.17 m ² [1.87 ft ²]	0.17 m ² [1.87 ft ²]
Plate Thickness:	0.7mm	0.6mm
Frame Weight: (according to size)	182-267 kg [400-588 lbs]	
Standard Frame Connections:	2 1/2" Sanitary Clamp	
Terminal Connections:	2" Sanitary Clamp	
Terminal Weight:	38.6 kg [85 lbs]	

FRAME SIZE	BALL FOOT CENTERS [L]	RAIL LENGTH [A]	PRO2 PLATE CAPACITY	PRO2PLUS PLATE CAPACITY
2	25 1/2" [647]	24" [610]	47	70
3	37 1/2" [952]	36" [915]	99	146
4	49 1/2" [1257]	48" [1219]	151	223
5	61 1/2" [1562]	60" [1524]	203	299
6	73 1/2" [1867]	72" [1829]	254	376

Dimensions not to be used for construction



Western
9109 SE 64th Ave.
Portland, OR 97206
503.774.7342
800.715.8820
FAX 503.774.2550

Central
8400 Lakeview Parkway
Suite 700
Pleasant Prairie, WI 53158
847.301.6890
888.489.8820

Eastern
10129 Piper Lane
Bristow, VA 20136
703.257.1660
800.825.8820
FAX 703.330.7940



proflow sanitary
S E R I E S

See us on the web at www.agcheattransfer.com