



AR51-H

PLATE HEAT EXCHANGER FRAME

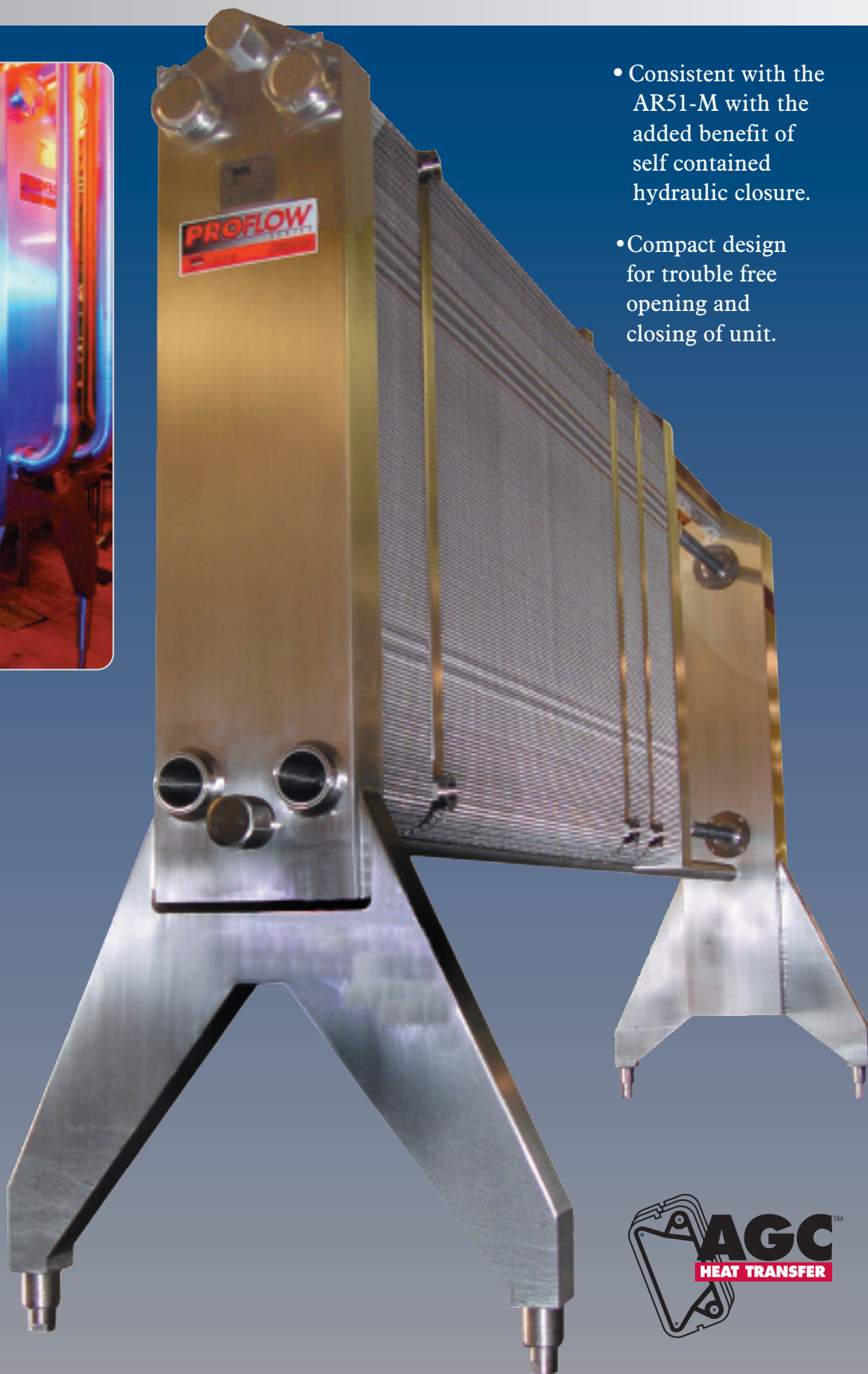
"Building the best, servicing the rest"™



Strong, Innovative Hydraulic End



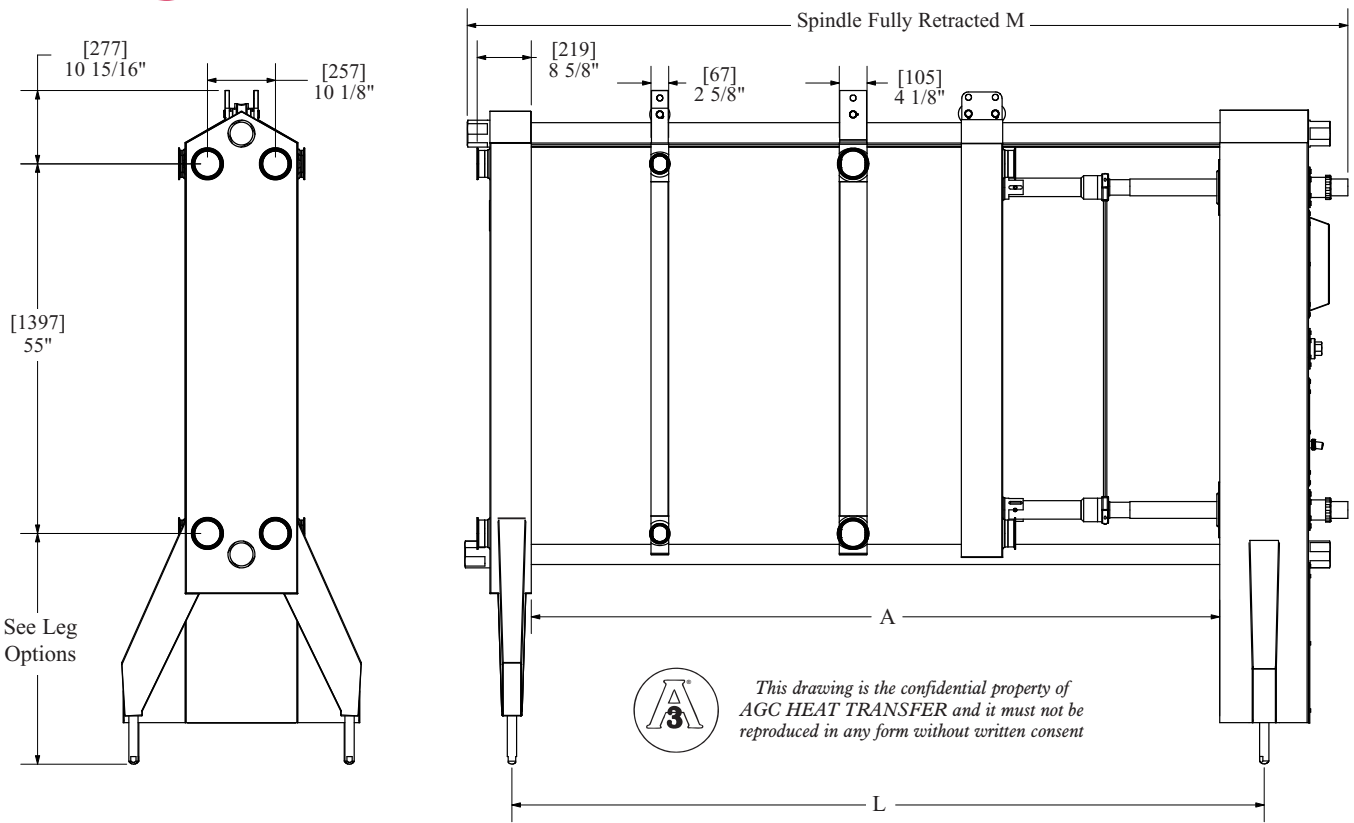
High Capacity Rails



- Consistent with the AR51-M with the added benefit of self contained hydraulic closure.
- Compact design for trouble free opening and closing of unit.



AR51-H

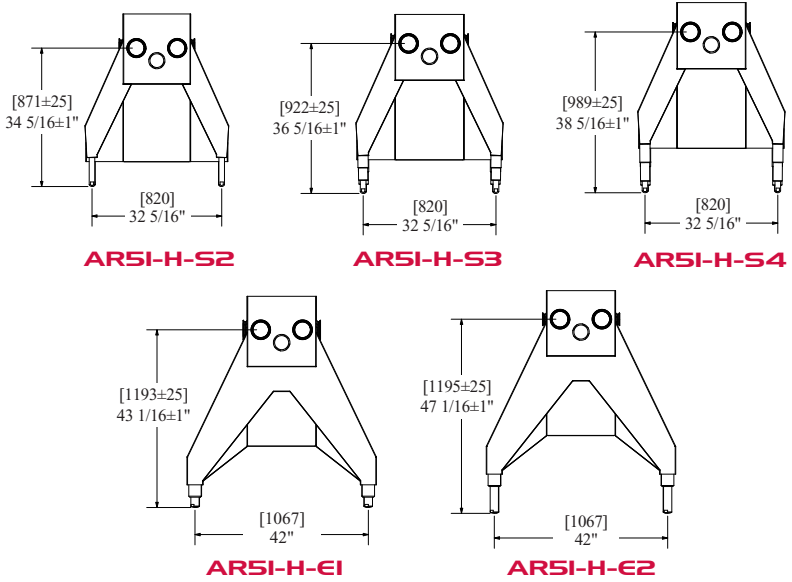


This drawing is the confidential property of AGC HEAT TRANSFER and it must not be reproduced in any form without written consent

MODEL AR51 - HYDRAULIC FRAME

- Ensure even closing.
- Prevent employee injuries.
- Save time opening & closing.
- Extend life of system.
- Easy access for inspection.

LEG OPTIONS



Dimensions not to be used for construction

FRAME SIZE	BALL FOOT CENTERS [L]	RAIL LENGTH [A]	FULLY OPEN [M]
1	58 ¹ / ₂ " [1486]	48 ³ / ₄ " [1238]	93 ³ / ₄ " [2381]
2	71 ¹ / ₂ " [1816]	61 ³ / ₄ " [1568]	106 ³ / ₄ " [2711]
3	82 ¹ / ₂ " [2096]	72 ³ / ₄ " [1848]	117 ³ / ₄ " [2911]
4	91 ¹ / ₂ " [2324]	81 ³ / ₄ " [2076]	126 ³ / ₄ " [3219]
5	99" [2515]	89 ¹ / ₄ " [2267]	134 ¹ / ₄ " [3410]
6	112 ¹ / ₄ " [2851]	102 ¹ / ₂ " [2603]	147 ¹ / ₂ " [3747]
7	123 ¹ / ₄ " [3131]	113 ¹ / ₂ " [2883]	170 ¹ / ₂ " [4331]
8	133 ¹ / ₂ " [3391]	123 ³ / ₄ " [3143]	180 ³ / ₄ " [4591]
9	140 ¹ / ₄ " [3562]	130 ¹ / ₂ " [3315]	187 ¹ / ₂ " [4763]
10	147 ¹ / ₂ " [3747]	137 ³ / ₄ " [3499]	194 ³ / ₄ " [4947]
11	158 ¹ / ₂ " [4026]	148 ³ / ₄ " [3524]	205 ³ / ₄ " [5226]
12	170 ¹ / ₂ " [4331]	160 ³ / ₄ " [4083]	217 ³ / ₄ " [5531]
13	182 ¹ / ₂ " [4636]	172 ³ / ₄ " [4388]	229 ³ / ₄ " [5836]
14	194 ¹ / ₂ " [4940]	184 ³ / ₄ " [4693]	241 ³ / ₄ " [6140]
15	206 ¹ / ₂ " [5245]	196 ³ / ₄ " [4997]	253 ³ / ₄ " [6445]

GENERAL INFORMATION

	PRO5	PRO5PLUS
Plate and Gasket Weight:	11.25 lbs/5.10 kg	8 lbs/3.62 kg 5 lbs Titanium/2.27 kg
Plate Capacity:	0.72 US Gallons/2.72 l	0.45 US Gallons/1.70 l
Heat Transfer Area:	5.6 ft ² /0.52 m ²	5.6 ft ² /0.48 m ²
Plate Thickness:	0.9mm 316 S.S.	0.7mm 316 S.S. 0.6mm Titanium
Frame Weight: (according to size)	4200 - 5300 lbs/ 1905-2404 kg	
Standard Frame Connections:	4" Sanitary Clamp	
Terminal Connections:	2 1/2" or 4" Sanitary Clamp	
Terminal Weight: (standard or wide)	310 - 430 lbs/141-195 kg	



Western
9109 SE 64th Ave.
Portland, OR 97206
503.774.7342
800.715.8820
FAX 503.774.2550

Central
1325 Remington Rd.
Suite T
Schaumburg, IL 60173
847.301.6890
FAX 503.774.2550

Eastern
10129 Piper Lane
Bristow, VA 20136
703.257.1660
800.825.8820
FAX 703.330.7940

