



AR56-F

PLATE HEAT EXCHANGER FRAME

"Building the best, servicing the rest"™



QUALITY

- Sanitary polished finish applied to all stainless steel parts.
- Operating pressures up to 150 psig [10 bar].
- Made in the USA.

DEPENDABILITY

- All sanitary stainless steel wetted parts.
- Heavy duty corrosion resistant powder coating to protect frame.
- Oversized tie bolts for easy open/close operation.

RELIABILITY

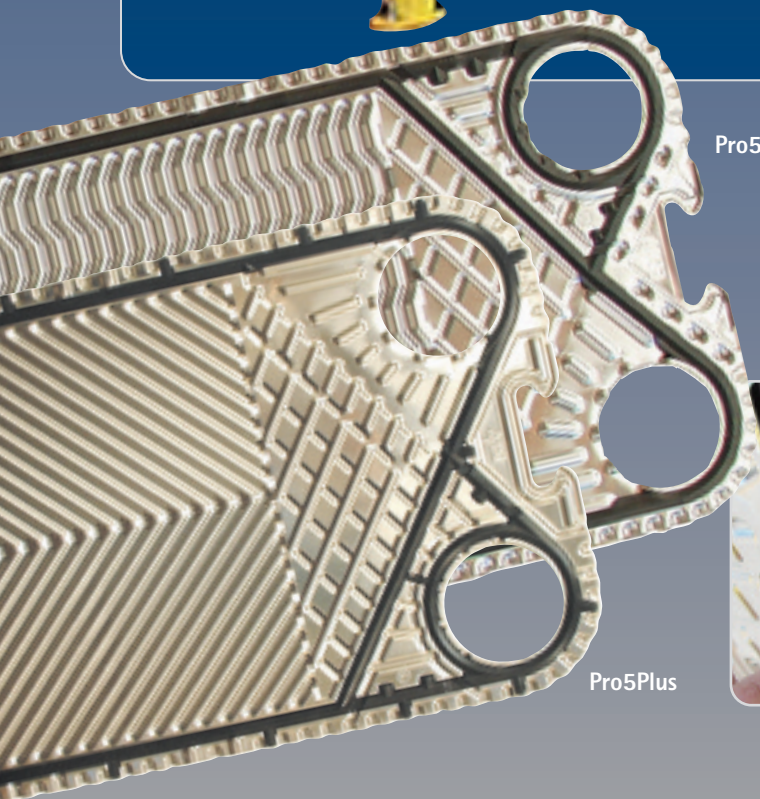
- Strong internal solid steel plate - rugged and proven design.
- Enclosed tie bolt bearings.
- Heavy wall port nozzle connections as standard.

EXPANDABILITY

- Frames supplied for plate expandability.
- All eight ports available for future duty expansions.
- Terminals available to safely separate heating, cooling or regeneration sections.

PLATES

- Pro5 or Pro5Plus plates measure 61 1/4" x 16 3/8" [1556 x 416 mm] - Made in the USA.
- Made of a heavy 0.9mm (Pro5) or 0.7mm (Pro5Plus) thick, 316 stainless steel with a high quality sanitary finish.
- Features an improved heat transfer pattern and a wide gap to resist fouling.
- Line-contact support points to increase the life of the plate.
- Increased entrance area cross-section to decrease pressure loss.
- Solid metal-to-metal contact to allow high operational pressures.



Pro5

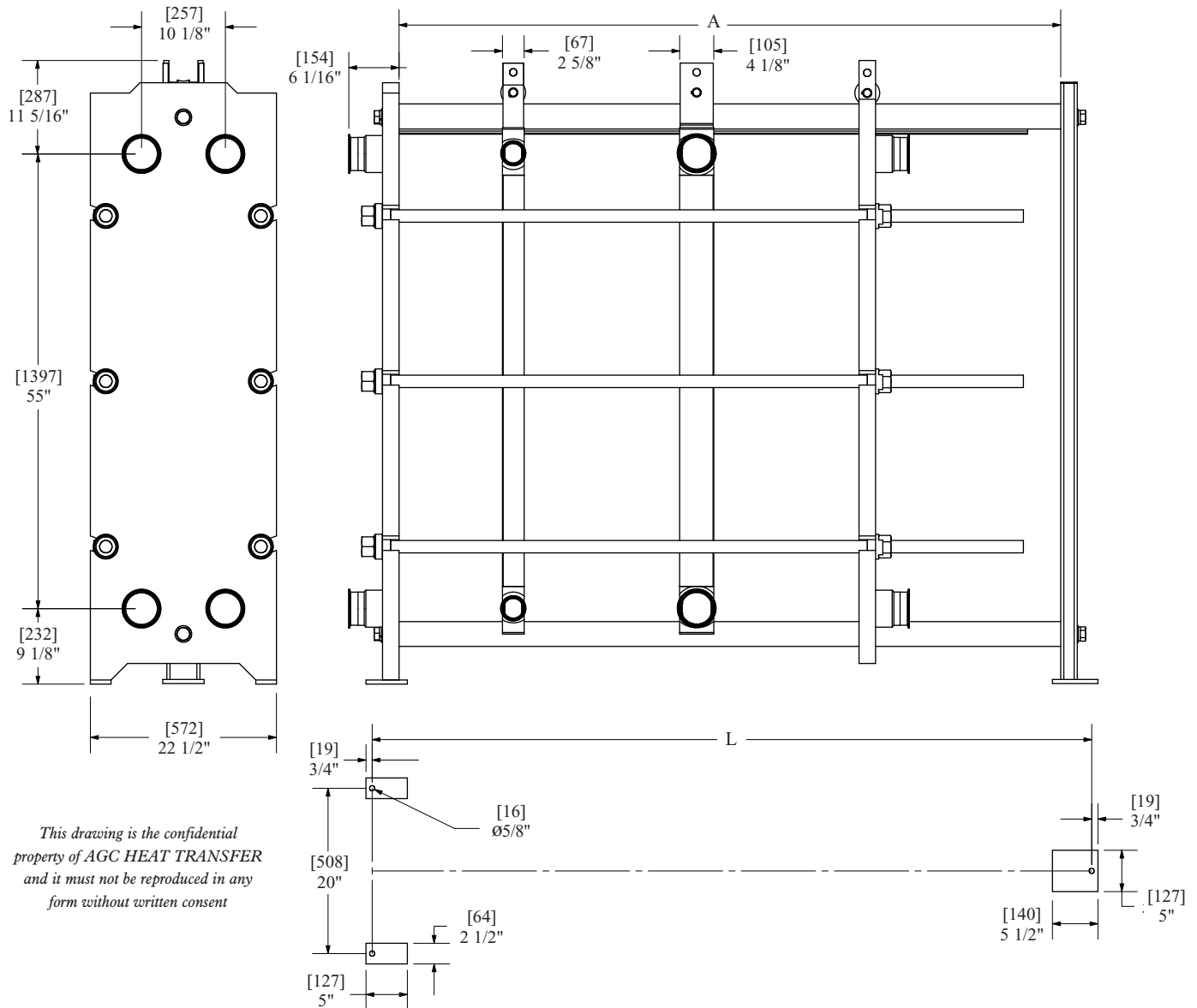
Pro5Plus



Improved Entrance Area



AR56-F



This drawing is the confidential property of AGC HEAT TRANSFER and it must not be reproduced in any form without written consent

Dimensions not to be used for construction

GENERAL INFORMATION		
	PRO5	PRO5PLUS
Plate and Gasket Weight:	11.25 lbs/5.10 kg	8 lbs/3.62 kg 5 lbs Titanium/2.27 kg
Plate Capacity:	0.72 US Gallons/2.72l	0.45 US Gallons/1.70l
Heat Transfer Area:	5.6 ft ² /0.52 m ²	5.6 ft ² /0.48 m ²
Plate Thickness:	0.9mm 316 S.S.	0.7mm 316 S.S. 0.6mm Titanium
Frame Weight: (according to size)	2100 - 2950 lbs/952-1338 kg	
Standard Frame Connections:	4" Sanitary Clamp	
Terminal Connections:	2 1/2" or 4" Sanitary Clamp	
Terminal Weight: (standard or wide)	310-430 lbs / 141-195 kg	

FRAME SIZE	FOOT CENTERS [L]	RAIL LENGTH [A]	PRO5 PLATE CAPACITY	PRO5PLUS PLATE CAPACITY
1	43" [914]	36" [914]	55	75
2	62" [1397]	55" [1397]	120	160
3	87" [2210]	80" [2032]	200	270
4	102" [2591]	95" [2413]	255	330
5	124.5" [3163]	116" [2946]	330	420
6	148.5" [3772]	140" [3556]	405	525



Western
9109 SE 64th Ave.
Portland, OR 97206
503.774.7342
800.715.8820
FAX 503.774.2550

Central
1325 Remington Rd.
Suite T
Schaumburg, IL 60173
847.301.6890
FAX 503.774.2550

Eastern
10129 Piper Lane
Bristow, VA 20136
703.257.1660
800.825.8820
FAX 703.330.7940

