



# PRO3-F

## PLATE HEAT EXCHANGER FRAME

*"Building the best, servicing the rest"™*



### QUALITY

- Sanitary polished finish applied to all stainless steel parts.
- Operating pressures up to 150 psig [10 bar].
- Made in the USA.

### DEPENDABILITY

- All sanitary stainless steel wetted parts.
- Heavy duty corrosion resistant powder coating to protect frame.
- Oversized tie bolts for easy open/close operation.

### RELIABILITY

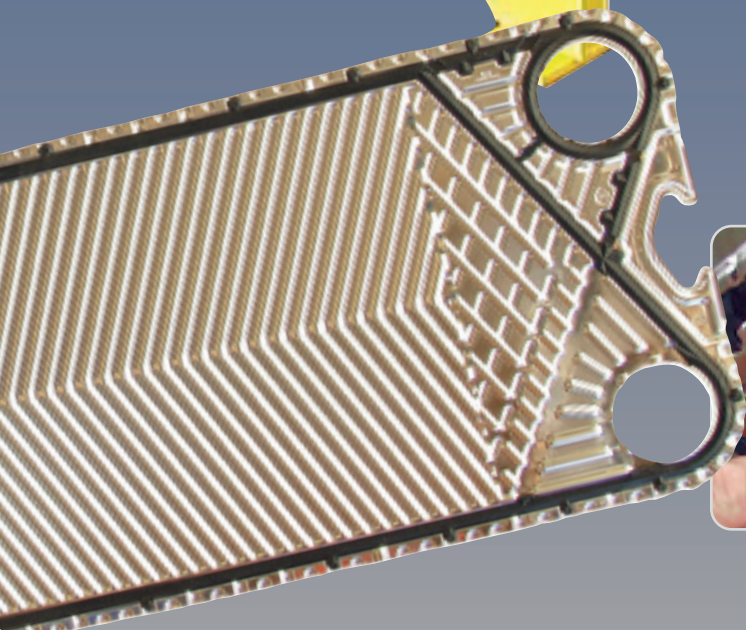
- Strong solid steel plate - rugged and proven design.
- Enclosed tie bolt bearings.
- Heavy wall port nozzle connections as standard.

### EXPANDABILITY

- Frames supplied for plate expandability.
- All eight ports available for future duty expansions.
- Terminals available to safely separate heating, cooling or regeneration sections.

### PLATES

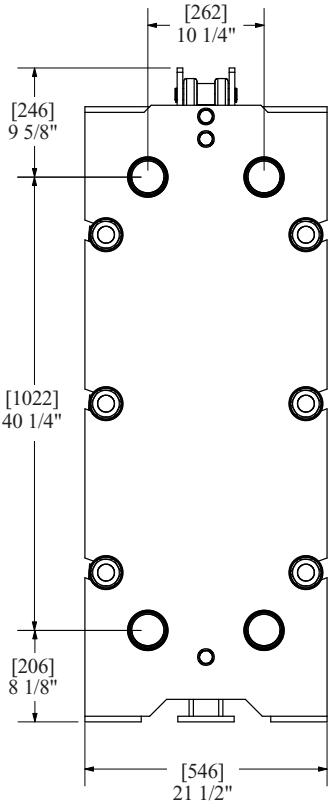
- Pro3 plates measure 45<sup>3</sup>/<sub>8</sub>" x 15<sup>7</sup>/<sub>16</sub>" [1153 x 392 mm] - Made in the USA.
- Made of a heavy 0.7mm thick, 316 stainless steel with a high quality sanitary finish.
- Features an improved heat transfer pattern and a wide gap to resist fouling.
- Line-contact support points to increase the life of the plate.
- Increased entrance area cross-section to decrease pressure loss.
- Solid metal-to-metal contact to allow high operational pressures.



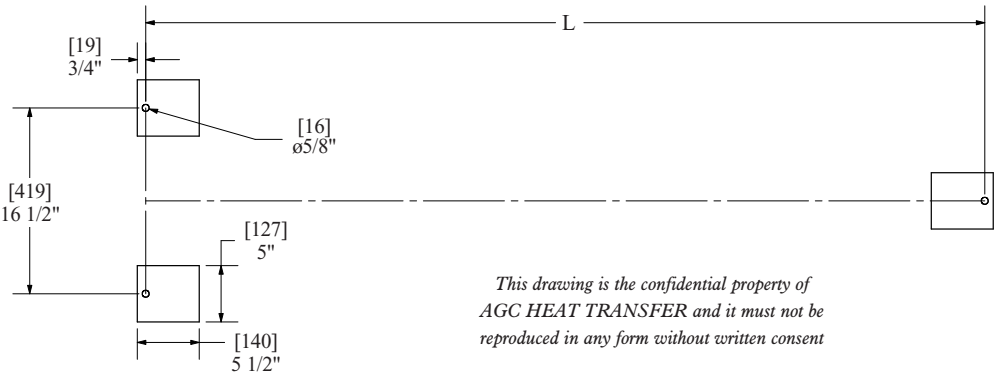
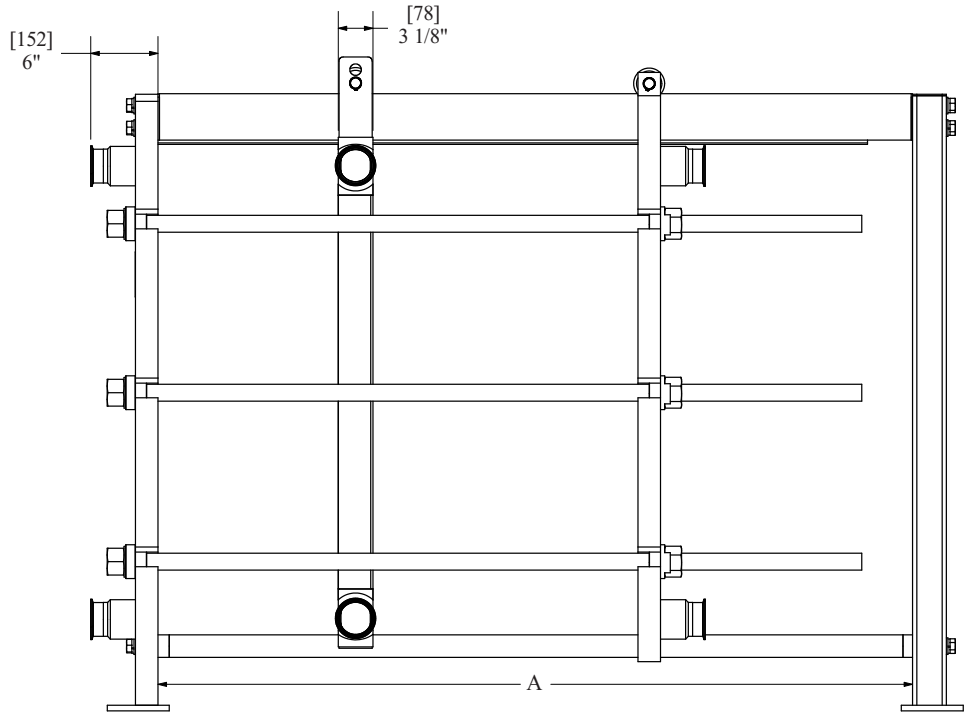
Improved Entrance Area



# PRO3-F



Also available with stainless steel base



*This drawing is the confidential property of AGC HEAT TRANSFER and it must not be reproduced in any form without written consent*

GENERAL INFORMATION	
Plate and Gasket Weight:	5.8 lbs 316 S.S. / 2.63 kg 3.1 lbs Titanium / 1.40 kg
Plate Capacity:	0.32 US Gallons / 1.21 l
Heat Transfer Area:	3.75 ft <sup>2</sup> / 348 m <sup>2</sup>
Plate Thickness:	0.7 mm 316 S.S. 0.6 mm Titanium
Frame Weight: (according to size)	1520-1880 lbs / 689-853 kg
Standard Frame Connections:	3" Sanitary Clamp
Terminal Connections:	3" Sanitary Clamp
Terminal Weight:	275 lbs / 145 kg

FRAME SIZE	FOOT CENTERS [L]	RAIL LENGTH [A]	PLATE CAPACITY
1	51 1/2" [1308]	44" [1118]	160
2	74 1/2" [1892]	67" [1702]	265
3	98 1/2" [2502]	91" [2311]	372
4	122 1/2" [3112]	115" [2921]	480

*Dimensions not to be used for construction*



**Western**  
9109 SE 64th Ave.  
Portland, OR 97206  
503.774.7342  
800.715.8820  
FAX 503.774.2550

**Central**  
1325 Remington Rd.  
Suite T  
Schaumburg, IL 60173  
847.301.6890  
FAX 503.774.2550

**Eastern**  
10129 Piper Lane  
Bristow, VA 20136  
703.257.1660  
800.825.8820  
FAX 703.330.7940

