



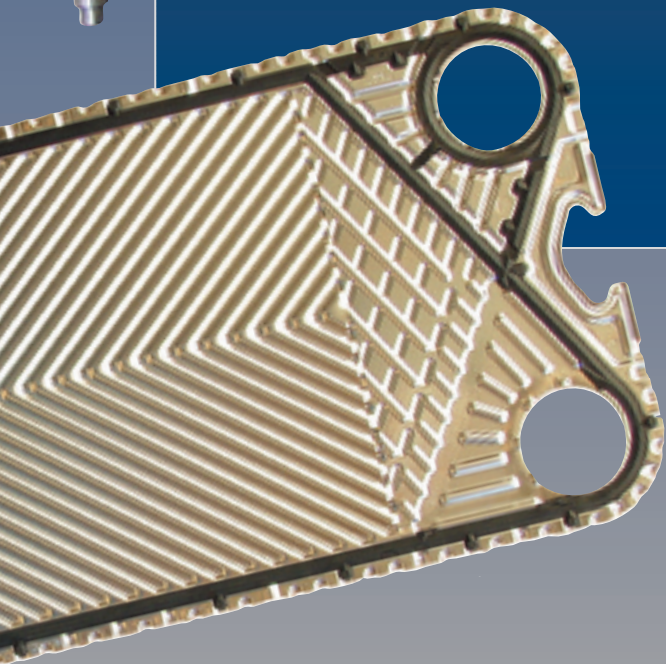
# PRO31-H

PLATE HEAT EXCHANGER FRAME

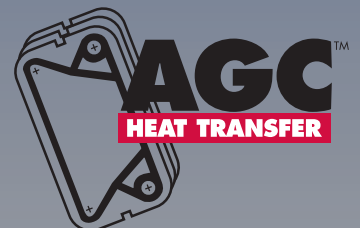
*"Building the best, servicing the rest"*™



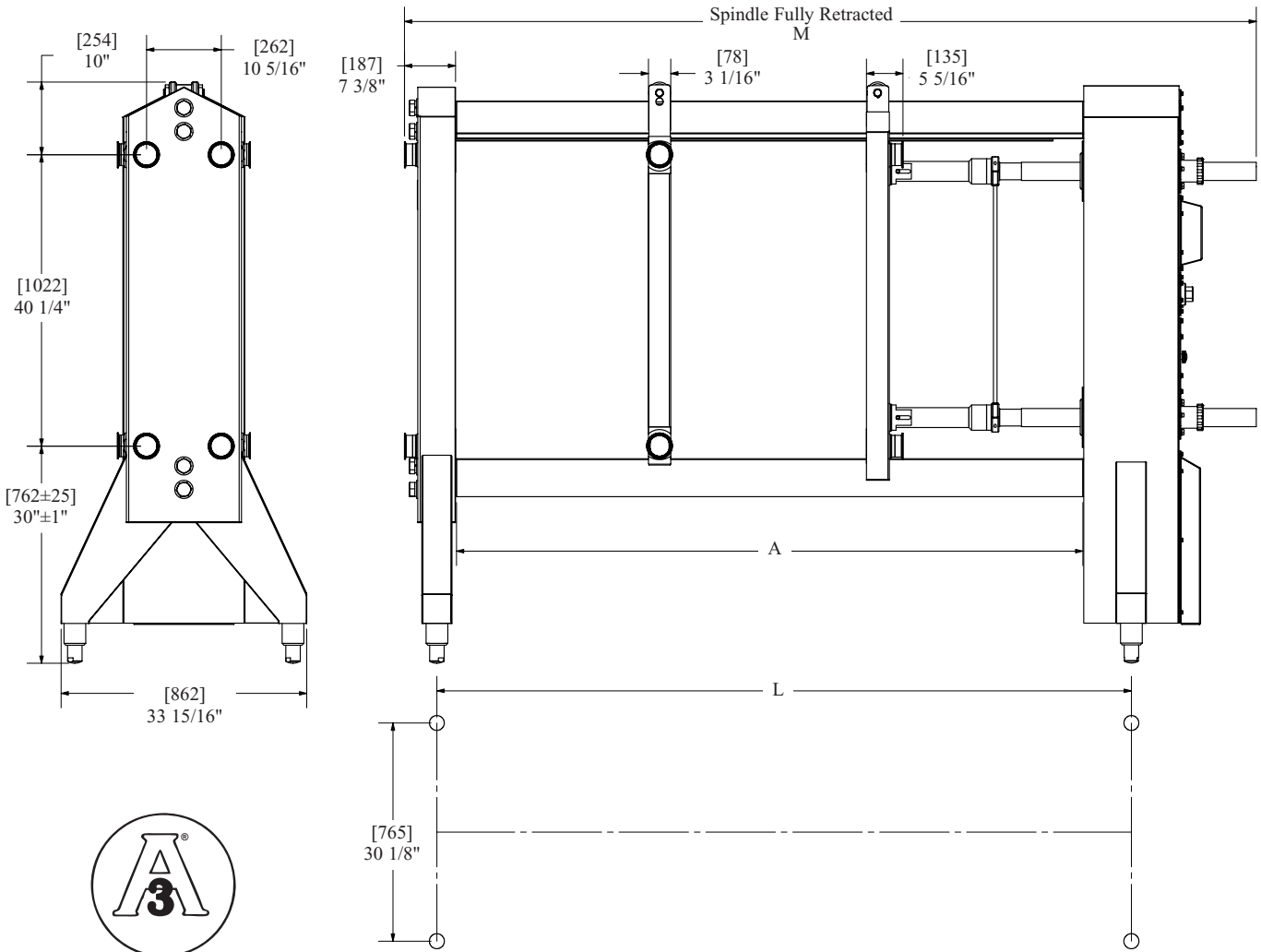
- Consistent with the PRO31-M with the added benefit of self-contained hydraulic closure.
- Compact design for trouble free opening and closing of unit.



Improved Entrance Area



# PRO31-H



*This drawing is the confidential property of AGC HEAT TRANSFER and it must not be reproduced in any form without written consent*

## GENERAL INFORMATION

Plate and Gasket Weight:	5.8 lbs 316 S.S. / 2.63 kg 3.1 lbs Titanium / 1.40 kg
Plate Capacity:	0.32 US Gallons / 1.21 liter
Heat Transfer Area:	3.75 ft <sup>2</sup> / 0.348 m <sup>2</sup>
Plate Thickness:	0.7 mm 316 S.S. 0.6 mm Titanium
Frame Weight: (according to size)	3450 - 3970 lbs / 1565-1801 kg
Standard Frame Connections:	3" Sanitary Clamp
Terminal Connections:	3" Sanitary Clamp
Terminal Weight:	275 lbs / 145kg

FRAME SIZE	BALL FOOT CENTERS [L]	RAIL LENGTH [A]	FULLY OPEN [M]
1	55 <sup>5</sup> / <sub>8</sub> " [1413]	46 <sup>1</sup> / <sub>2</sub> " [1181]	88 <sup>1</sup> / <sub>2</sub> " [2248]
2	68 <sup>5</sup> / <sub>8</sub> " [1737]	59 <sup>1</sup> / <sub>2</sub> " [1511]	101 <sup>1</sup> / <sub>2</sub> " [2578]
3	79 <sup>3</sup> / <sub>8</sub> " [2016]	70 <sup>1</sup> / <sub>4</sub> " [1784]	112 <sup>1</sup> / <sub>4</sub> " [2851]
4	88 <sup>3</sup> / <sub>8</sub> " [2245]	79 <sup>1</sup> / <sub>4</sub> " [2013]	121 <sup>1</sup> / <sub>4</sub> " [3080]
5	95 <sup>7</sup> / <sub>8</sub> " [2435]	86 <sup>3</sup> / <sub>4</sub> " [2203]	128 <sup>3</sup> / <sub>4</sub> " [3270]
6	102 <sup>1</sup> / <sub>2</sub> " [2604]	93 <sup>3</sup> / <sub>8</sub> " [2372]	135 <sup>3</sup> / <sub>8</sub> " [3439]
7	109 <sup>1</sup> / <sub>8</sub> " [2772]	100" [2540]	142" [3607]
8	114 <sup>5</sup> / <sub>8</sub> " [2911]	105 <sup>1</sup> / <sub>2</sub> " [2680]	147 <sup>1</sup> / <sub>2</sub> " [3747]
9	120 <sup>1</sup> / <sub>8</sub> " [3051]	111" [2819]	153" [4061]
10	129 <sup>1</sup> / <sub>8</sub> " [3280]	120" [3048]	162" [4115]
11	139 <sup>1</sup> / <sub>8</sub> " [3534]	130" [3302]	172" [4369]

*Dimensions not to be used for construction*



**Western**  
9109 SE 64th Ave.  
Portland, OR 97206  
503.774.7342  
800.715.8820  
FAX 503.774.2550

**Central**  
1325 Remington Rd.  
Suite T  
Schaumburg, IL 60173  
847.301.6890  
FAX 503.774.2550

**Eastern**  
10129 Piper Lane  
Bristow, VA 20136  
703.257.1660  
800.825.8820  
FAX 703.330.7940



AMERICAN  
MADE

**proflow** sanitary  
S E R I E S