

AGC
ENGINEERING

PRO31-M

PLATE HEAT EXCHANGER FRAME

"Building the best, servicing the rest"™



QUALITY

- Skillfully crafted to 3A sanitary standards.
- Operating pressures up to 150 psig [10 bar].
- Made in the USA.

DEPENDABILITY

- Time tested, stainless steel clad twin-spindle design.
- Even closing, easy maintenance.
- Built for full sanitary wash-down environment.

RELIABILITY

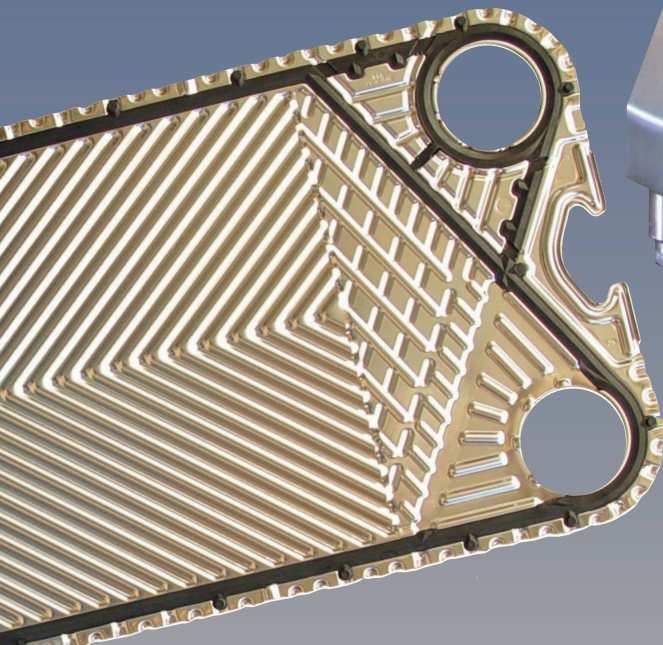
- Rugged and proven design - numerous installations over many years.
- Fixed End and Follower are solid steel clad in heavy 14 gauge stainless steel material.
- Reinforced weldments provide a sturdy design for long frame life.

EXPANDABILITY

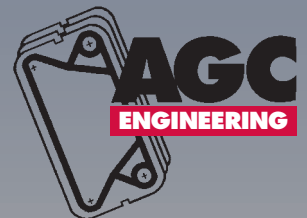
- Frames supplied for plate expandability.
- All eight ports supplied as standard for future duty expansions.
- Terminals available to safely separate heating, cooling or regeneration sections.

PLATES

- Pro3 plates measure 45³/₈" x 15⁷/₁₆" [1153 x 392 mm] - Made in the USA.
- Made of a heavy 0.7mm thick, 316 stainless steel with a high quality sanitary finish.
- Features an improved heat transfer pattern and a wide gap to resist fouling.
- Line-contact support points to increase the life of the plate.
- Increased entrance area cross-section to decrease pressure loss.
- Solid metal-to-metal contact to allow high operational pressures.

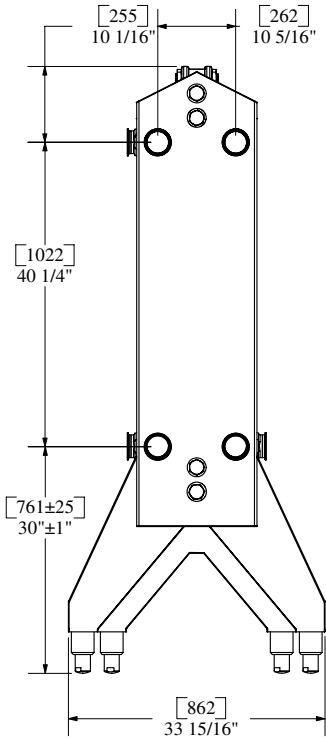


Improved Entrance Area

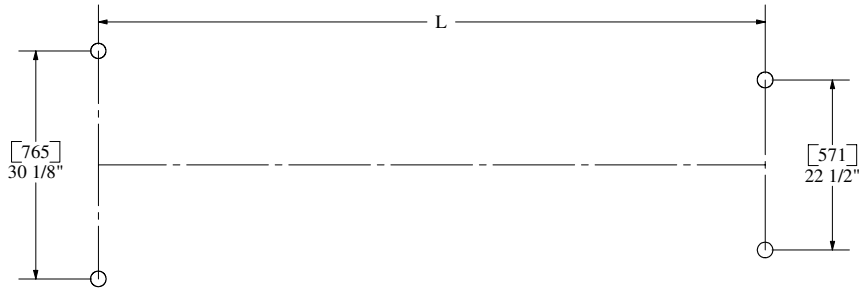
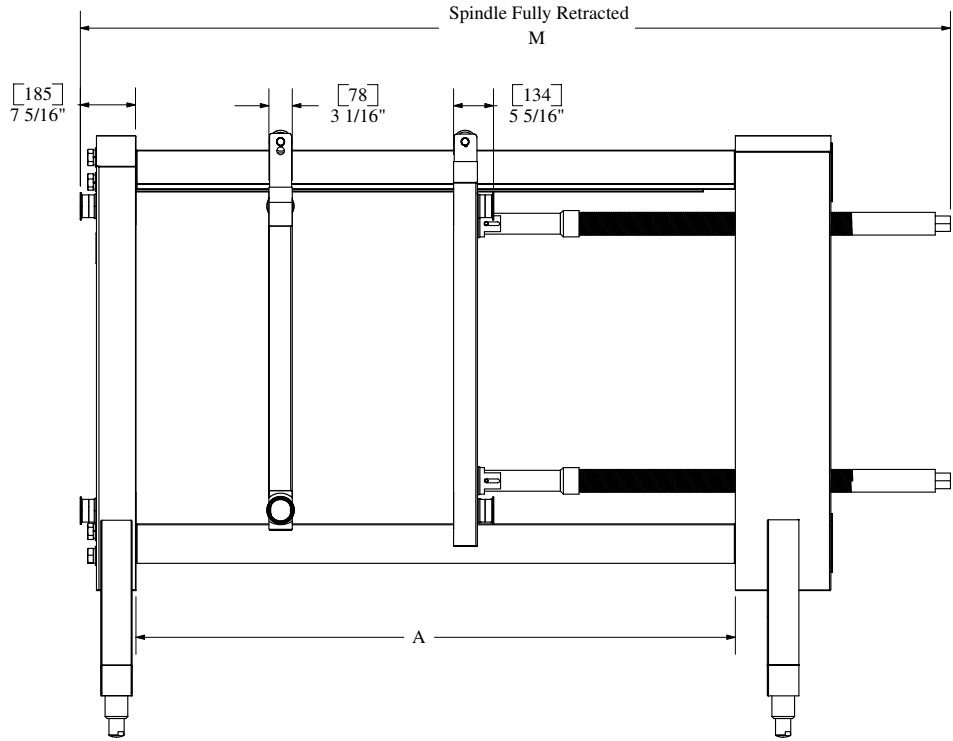


AGC
ENGINEERING

PRO31-M



This drawing is the confidential property of AGC ENGINEERING and it must not be reproduced in any form without written consent



GENERAL INFORMATION

Plate and Gasket Weight:	5.8 lbs 316 S.S. / 2.63 kg 3.1 lbs Titanium / 1.40 kg
Plate Capacity:	0.32 US Gallons / 1.21 l
Heat Transfer Area:	3.75 ft ² / .348m ²
Plate Thickness:	0.7 mm 316 S.S. 0.6 mm Titanium
Frame Weight: (according to size)	3700-4100 lbs / 1678-1860 kg
Standard Frame Connections:	3" Sanitary Clamp
Terminal Connections:	3" Sanitary Clamp
Terminal Weight:	320 lbs / 145 kg

FRAME SIZE	BALL FOOT CENTERS (L)	RAIL LENGTH (A)	FULLY OPEN (M)
1	55 ³ / ₈ " [1407]	46 ¹ / ₂ " [1811]	95 ³ / ₈ " [2423]
2	68 ³ / ₈ " [1743]	59 ¹ / ₂ " [1511]	108 ³ / ₈ " [2753]
3	79 ¹ / ₈ " [2010]	70 ¹ / ₄ " [1784]	119 ¹ / ₈ " [3026]
4	88 ¹ / ₈ " [2238]	79 ¹ / ₄ " [2013]	128 ¹ / ₈ " [3254]
5	95 ⁵ / ₈ " [2429]	86 ³ / ₄ " [2203]	135 ⁵ / ₈ " [3445]
6	102 ¹ / ₄ " [2597]	93 ³ / ₈ " [2372]	142 ¹ / ₄ " [3613]
7	108 ⁷ / ₈ " [2765]	100" [2540]	148 ⁷ / ₈ " [3781]
8	114 ³ / ₈ " [2905]	105 ¹ / ₂ " [2680]	154 ³ / ₈ " [3921]
9	119 ⁷ / ₈ " [3045]	111" [2819]	159 ⁷ / ₈ " [3886]
10	128 ⁷ / ₈ " [3273]	120" [3048]	168 ⁷ / ₈ " [4289]
11	138 ⁷ / ₈ " [3527]	130" [3302]	178 ⁷ / ₈ " [4543]

Dimensions not to be used for construction



Western Factory
8969 SE 58th Avenue
Portland, OR 97206
800.715.8820
FAX 503.774.2550

Eastern Factory
10129 Piper Lane
Bristow, VA 20136
800.825.8820
FAX 703.330.7940



AMERICAN OWNED
AMERICAN MADE

proflow sanitary
S E R I E S

See us on the web at www.AGCEngineering.com