



PRO21-M

PLATE HEAT EXCHANGER FRAME

"Building the best, servicing the rest"™



QUALITY

- Skillfully crafted to 3A sanitary standards.
- Operating pressures up to 200 psig [14 bar].
- Made in the USA.

DEPENDABILITY

- Time tested, stainless steel clad twin-spindle design.
- Even closing, easy maintenance.
- Built for full sanitary wash-down environment.

RELIABILITY

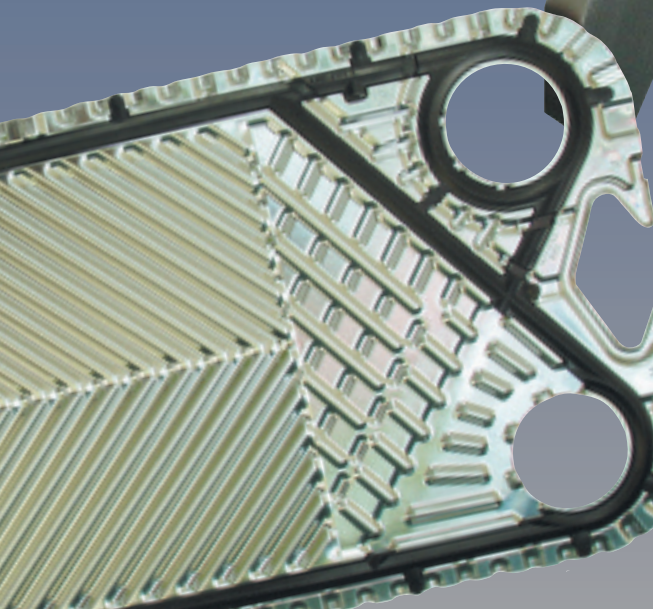
- Rugged and proven design - numerous installations over many years.
- Fixed End and Follower are clad in heavy 14 gauge stainless steel material.
- Reinforced weldments provide a sturdy design for long frame life.

EXPANDABILITY

- Frames supplied for plate expandability.
- All eight ports supplied as standard for future duty expansions.
- Terminals available to safely separate heating, cooling or regeneration sections.

PLATES

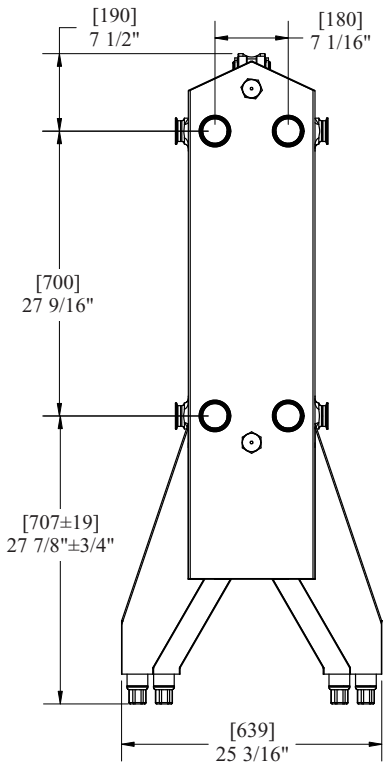
- Pro2 plates measure 33¹/₄" x 11⁷/₈" [855 x 302 mm] - Made in the USA.
- Made of a heavy 0.7mm thick, 316 stainless steel with a high quality sanitary finish.
- Features an improved heat transfer pattern and a wide gap to resist fouling.
- Line-contact support points to increase the life of the plate.
- Increased entrance area cross-section to decrease pressure loss.
- Solid metal-to-metal contact to allow high operational pressures.



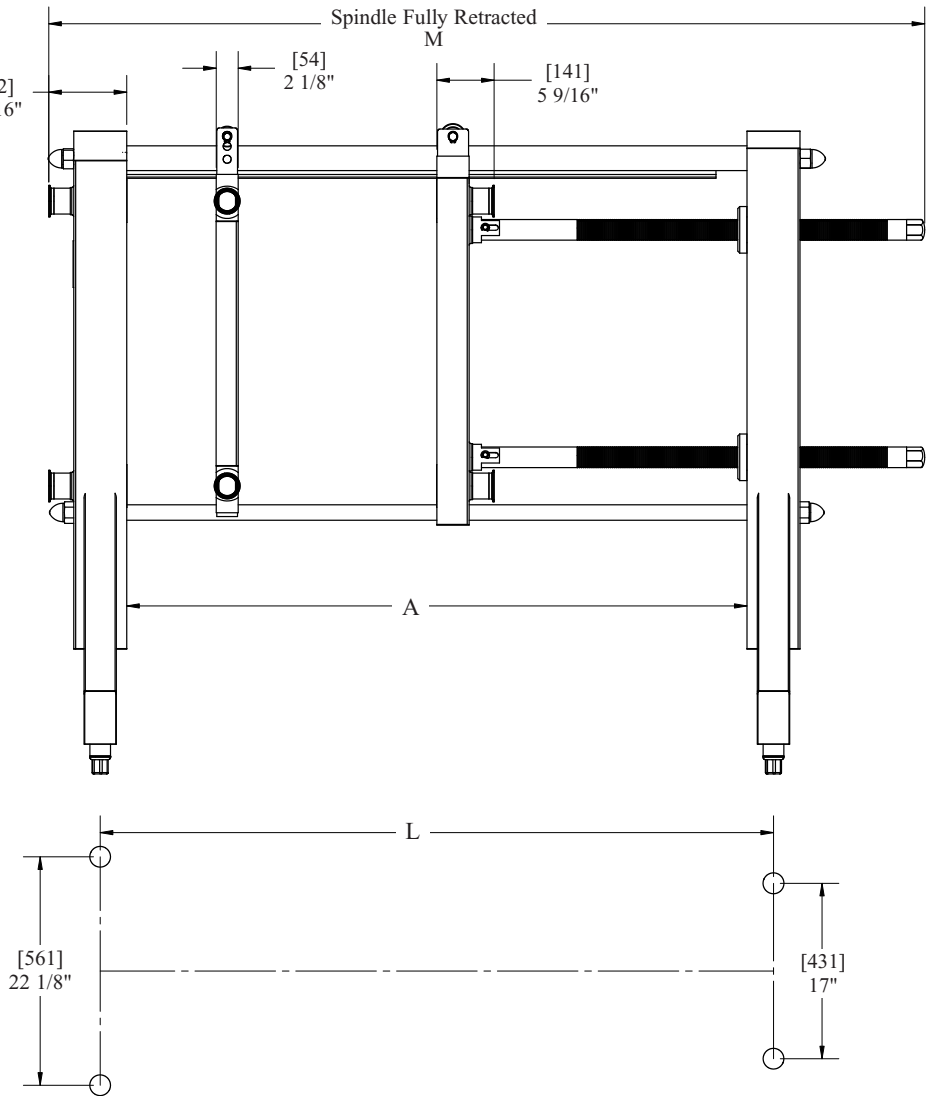
Improved Entrance Area



PRO21-M



This drawing is the confidential property of AGC HEAT TRANSFER and it must not be reproduced in any form without written consent



GENERAL INFORMATION	
Plate and Gasket Weight:	3.5 lbs 316 S.S. / 1.58 kg 1.9 lbs Titanium / 0.86 kg
Plate Capacity:	0.16 US Gallons / 0.61 l
Heat Transfer Area:	1.87 ft ² / 0.17 m ²
Plate Thickness:	0.7 mm
Frame Weight: (according to size)	1365-1440 lbs / 619-653 kg
Standard Frame Connections:	2 1/2" Sanitary Clamp
Terminal Connections:	2" Sanitary Clamp
Terminal Weight:	130 lbs / 59 kg

FRAME SIZE	BALL FOOT CENTERS [L]	RAIL LENGTH [A]	FULLY OPEN [M]
1	41 1/8" [1045]	36" [915]	77" [1956]
2	53 1/8" [1349]	48" [1219]	89" [2261]
3	65 1/8" [1654]	60" [1524]	101" [2565]
4	77 1/8" [1959]	72" [1829]	113" [2870]

Dimensions not to be used for construction



Western
9109 SE 64th Ave.
Portland, OR 97206
503.774.7342
800.715.8820
FAX 503.774.2550

Central
1325 Remington Rd.
Suite T
Schaumburg, IL 60173
847.301.6890
FAX 503.774.2550

Eastern
10129 Piper Lane
Bristow, VA 20136
703.257.1660
800.825.8820
FAX 703.330.7940



AMERICAN
MADE

