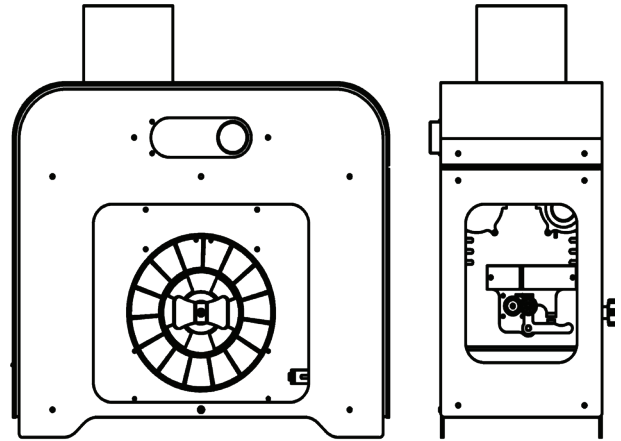


COMPOSER 350

FILAMENT MAKER



COMPOSER 350

Product Specifications



Filament Maker Overview	Temperature max.	Max temperature of 350 °C
	Band heater	Ceramic
	Heating zones	4
	Purpose	For mixing, compounding & experimentation
	Compatible materials	PLA, ABS, PC, PS, PETG, TPU, TPE, PPS, PVA, Bio PE, NEW PET and PA (6,12, 66)
	Independent controls	Yes
Output	RPM range	2- 15 RPM
	Filament diameter range	0.5- 3 mm (0.02- 0.12 inches)
	Optical sensor accuracy	43 microns (1.69 mils)
	Nozzle extruder	Diameter 4 mm (0.16 inches)- Replaceable
Extruder System	Screw/Barrel alloy	High chromium and molybdenum steel alloy
	Hardening treatment	Nitrided
	Compression	3 stage
	Extruder design	Swappable
	Extrusion screw type	Mixing screw
Energy	Consumption average	300- 400 W
	Consumption max.	1300 W
	Voltage	110- 230 V
	Frequency	50- 60 Hz
Capacity	Hopper volume	2 liters
	Spool holder	1
	Spool size	Diameter 240 mm (9.4 inches) Width 120 mm (4.7 inches)
Size & Weight	Dimensions	506 x 216 x 448 mm 19.2 x 8.5 x 17.6 inches
	Weight	Extruder (Without box) 24.5 kg (54 lbs) Extruder + box 27 kg (59.5 lbs)
Connection	Firmware updates	Regular updates
	Extrusion data analysis	DevoVision application

For more info on the **Composer 350 Filament Maker** or questions about our extrusion ecosystem contact sales at:
sales@3devo.com