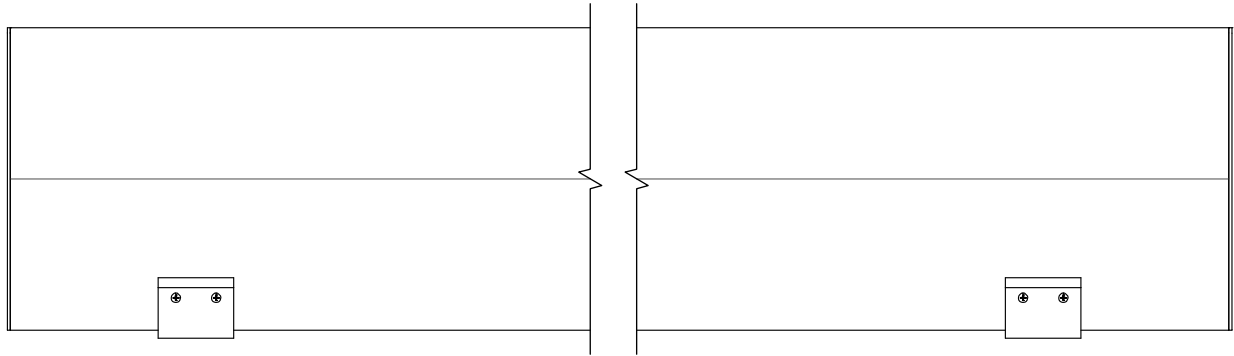


AURAE TECHNICAL DATA SHEET



PLAN VIEW

Configuration and layout:

- The louvre blades can be set at any centres.
- Blade angle is restricted to 90° from the support structure surface.

Assembly and Installation:

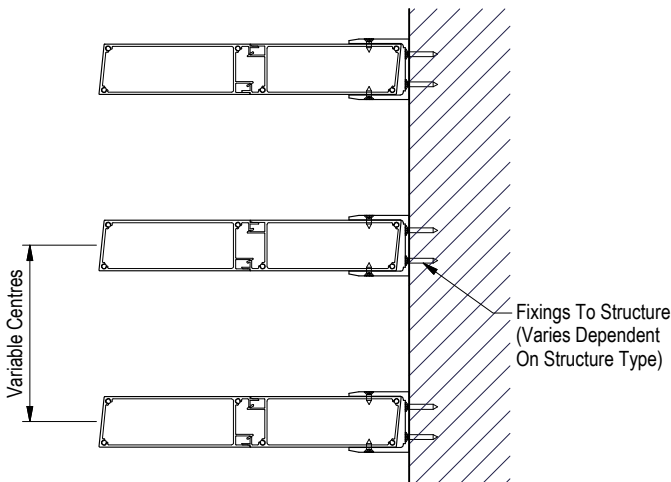
- The louvre blades are fixed to the rear channel brackets with stainless 10gx19 self-tapping screws.

Structural Requirements:

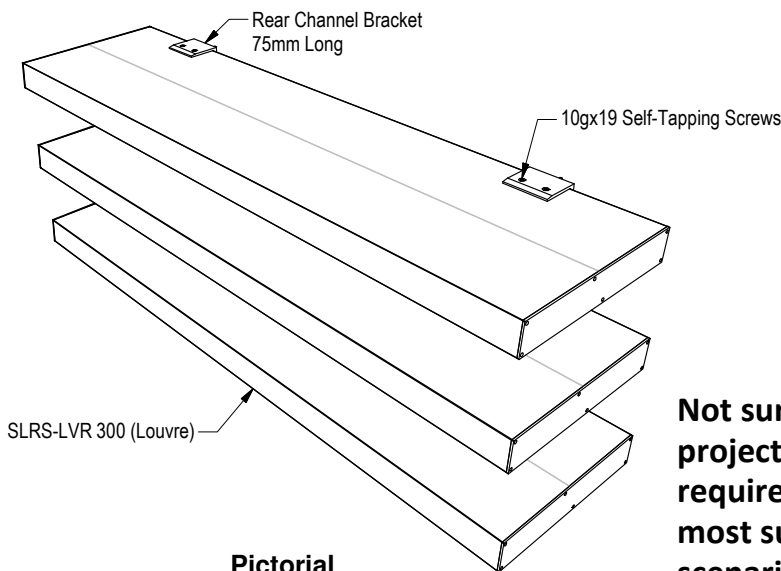
- Rear channel brackets and supports are required at centres appropriate to the wind loading on the louvre blade. See Span Data Table for spans relative to wind zones.
- The fixing detail of the rear channel bracket to the main support structure varies dependent on the type of structure. Contact Aurae for project specific recommendations.

Componentry and Finishes:

- All the aluminium components (the louvre blade, end caps and channel) can be finished with any exterior powder coat or grade of anodising



SECTIONED VIEW



Pictorial

Not sure if this is the correct fixing detail for your project? Contact Aurae to discuss your requirements - we will be able to recommend the most suitable fixing methods for your specific scenario.

**SOLARIS™ 300
REAR CHANNEL BRACKETED**



© 2018 All rights reserved
Aurae Ltd
Ph: +64 9 218 8690
E: sales@aurae.co.nz
www.aurae.co.nz

Scale: N.T.S.
Date: 4/03/2014

SLRS-LVR 300 RCB Ver. 1