

Fire-Rated Poke-Throughs

Hubbell SystemOne FRPT

4-Inch Core Hole One-Piece Units

ScrubShield
Complies with UL514A



Hubbell SystemOne FRPT – One-Piece Units

Description	Color	Catalog Numbers
-------------	-------	-----------------

One-Piece 4X4 Poke-Through

Assembled-unit includes Hubbell SystemOne 4X4 floor fitting (**S1PT4X4FIT**) with four pre-wired 20A, 125V receptacles and four keystone opening sub-plate (**S1SP4X4**) to accept Hubbell modular jacks and flush multimedia Snap Fit connectors. Receptacles feature single or two circuit wiring, as well as isolated ground capability. Finish flange and universal carpet cover (**S1CFC**) assembly are supplied in aluminum, brass, black or gray finishes.

Aluminum Finish
Brass Finish
Black Finish
Gray Finish

S1PT4X4AL
S1PT4X4BRS
S1PT4X4BL
S1PT4X4GY



Note: See page M-14 for technical information.

One-Piece Dual Style Line® Poke-Through

Assembled-unit includes a Hubbell SystemOne dual channel floor fitting (**S1PTFIT**) and two Style Line® opening sub-plate (**S1SP**) to accept two Style Line® or one surge or GFCI receptacle and one Style Line® receptacle. Additionally, outlet frames can be used to convert the application to a 6-port multi-service or a 12-port all communication solution. Finish flange and universal carpet cover (**S1CFC**) assembly are supplied in aluminum, brass, black or gray finishes.

Aluminum Finish
Brass Finish
Black Finish
Gray Finish

S1PTAL
S1PTBRS
S1PTBL
S1PTGY



Note: See page M-15 for technical information.

One-Piece Modular A/V Poke-Through

Assembled-unit includes a Hubbell SystemOne A/V floor fitting (**S1PTAVFIT**) and a Hubbell SystemOne sub-plate (**S1SP3IM**) to provide a 20A, 125V power outlet and a recessed 3-unit iSTATION™ opening. This comprehensive data/voice/audio/and video solution can accommodate 15-pin VGA, RCA, S-Video, 3.5mm stereo, and XLR microphone jacks. Finish flange and universal carpet cover (**S1CFC**) assembly are supplied in aluminum, brass, black or gray finishes.

Aluminum Finish
Brass Finish
Black Finish
Gray Finish

S1PT3IMAL
S1PT3IMBRS
S1PT3IMBL
S1PT3IMGY



Note: See page M-16 for technical information.

One-Piece Furniture Feed Poke-Through

Assembled-unit includes a Hubbell SystemOne A/V floor fitting (**S1PTAVFIT**) and a Hubbell SystemOne Furniture Feed Cover Plate (**S1SPFFxx**). This solution provides one ¾ in. conduit opening for power and one 1½ in. conduit opening for low-voltage. Available in aluminum, brass, black or gray finishes. Furnished with two screw-in flexible metal conduit connectors.

Aluminum Finish
Brass Finish
Black Finish
Gray Finish

S1PTFFAL
S1PTFFBRS
S1PTFFBL
S1PTFFGY



Note: See page M-17 for technical information.



Aluminum Finish



Brass Finish



Black Finish



Gray Finish

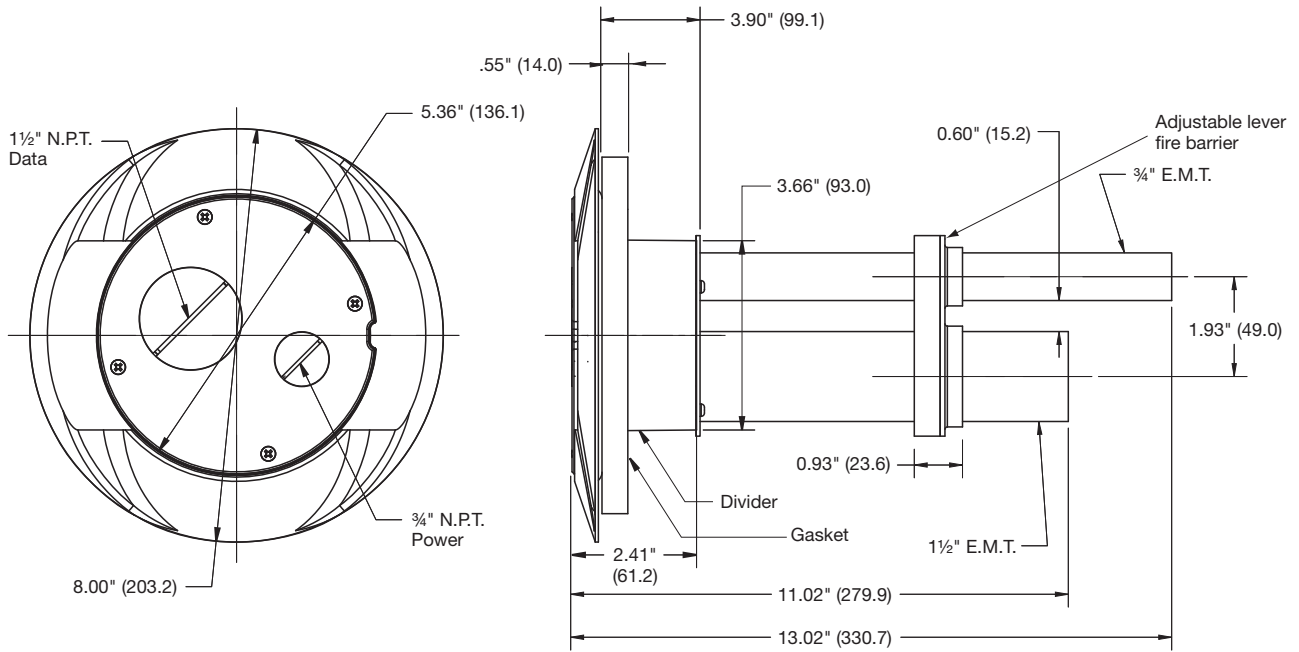


Integral Junction Box for FRPTs



Available Q3 2008

Technical Information
Hubbell SystemOne Furniture Feed FRPT
 S1PTFF Series



Product Information

- Painted flush aluminum service fitting with matching cast aluminum carpet flange (color finish options: aluminum, brass, black, gray and ivory).
- Aluminum conduit insert cover with one (1) 3/4 in. and one (1) 1 1/2 in. die-cast threaded plugs.
- Furnished with one (1) 3/4 in. and one (1) 1 1/2 in. screw-in flexible metal conduit connectors.

Application Data

- Mounted in a drilled 4 in. (76.2) concrete diameter through hole.
- Floor thickness range: 2 1/4 to 7 in. (57.2 to 177.8).
- UL Listed for fire resistance in 1 – 4 hour rated floors.
- Approved for use in the City of Chicago.

UL Listed Wiring Capacity

Dual-Service (Power & Voice/Data): For Power, up to twelve (12) #12 AWG, and for Voice/Data, up to ninety-six (96) #22 AWG telephone/data conductors.

When conductors larger than 22 AWG are used, the total cross-sectional area of the copper conductors shall not exceed the total cross-sectional area of the 22 AWG conductors permitted in the low voltage compartment.

Note: When connection conduit sweeps to through-floor fittings, ensure compliance with NEC fill tables.

UL Characteristics

Listing	UL File Number
Outlet Box	E31999
Fire Resistance	R8429

For use in 1, 1 1/2, 2, 3 or 4 hour rated unprotected reinforced floors or in 1, 2, or 3 hour rated floors employing steel floor units and concrete topping (D900 Series designs).

UL Spacing Restrictions - Minimum of 2 ft. on center and not more than one unit per each 65 square feet of floor area in each span.

Note: The above product data pertains to both one-piece and three-piece units.

