



SENSOR[®]
NETWORKS, INC

Inspection, Testing & Asset-Integrity Solutions



JAWS 2.0[™]
Remote Retrieval Solutions

grabber
with built-in HD camera
and lighting



seeing is retrieving!

JAWS 2.0 is a rugged, motorized retrieval tool with integral HDTV camera and LED Lighting. It is easy to use, robust and works in any industrial environment, including high radiation* and underwater. JAWS 2.0 is available as a basic kit or as part of an ultimate loose-parts retrieval kit.

robust

aircraft-grade aluminum body • stainless steel jaws • halogen-free polyurethane cable jacket

compact

fits through 1.5" (38mm) openings • fits through 4" (100mm) diameter elbows

capable

jaws open 2.75" (70mm) • tool submerges to 100' (30m) • system deploys anywhere on batteries (12 Vdc, 15W NiMH)

Variety of interchangeable end-effectors

Compact design accesses the most remote areas

5" (127 mm) Industrial-grade 1080p HD (1920x1080 pixel) color display is sunlight-readable with Gorilla® Glass face

HDMI output allows recording and/or auxiliary display

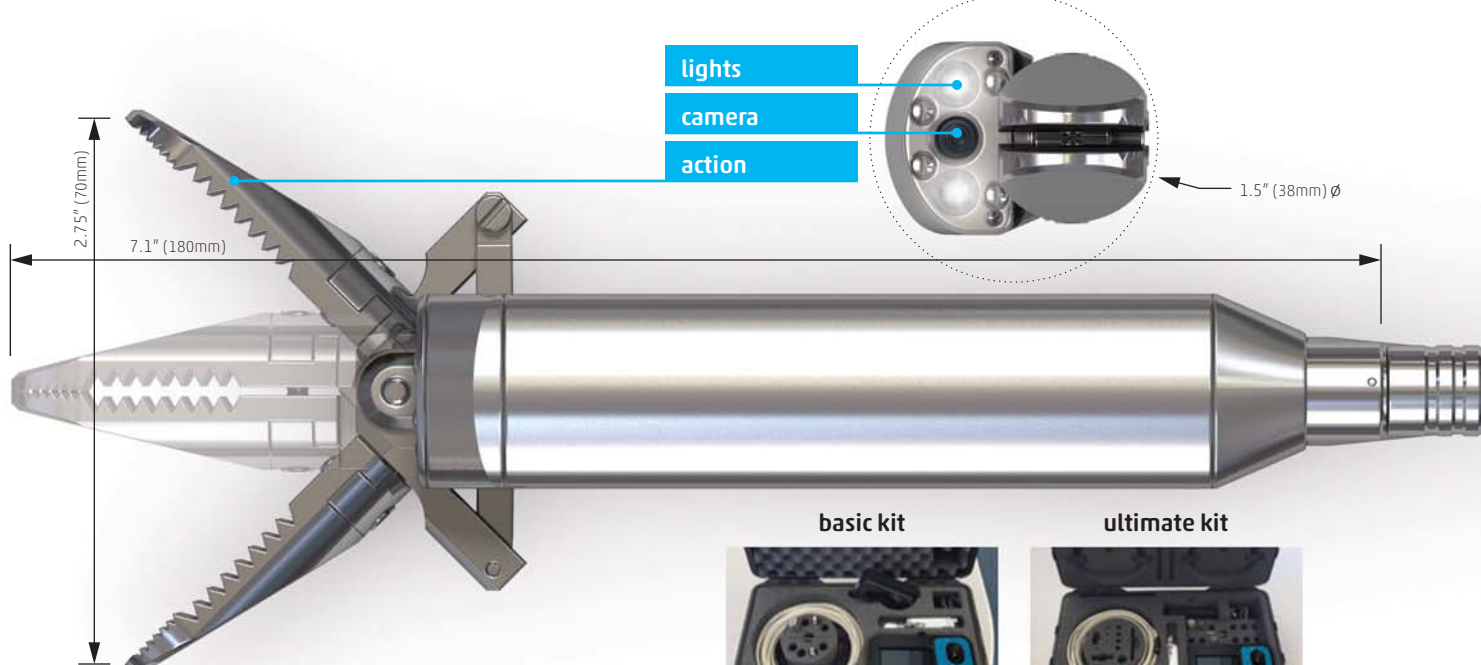
Joystick operation is simple, easy to use

Controller measures 5×9×2½" (127×229×63mm), weighs 3.1 lb (1.4 Kg)

6- to 8-hr battery with power-save; recharges in 2 hrs.

With three ¼"-20 mounting points, controller mounts to wrist lanyard, neck lanyard, or tripod

* expected dose rate of >100 R/H. Testing scheduled for 1Q19.



specifications

basic kit

ultimate kit



standard components

- JAWS 2.0 HD grabber
- JAWS 2.0 HD display/controller
- AC adapter/charger
- operator manual
- 50' (15m) power/video cable

- JAWS 2.0 HD grabber
- JAWS 2.0 HD display/controller
- AC adapter/charger
- operator manual
- 50' (15m) power/video cable + 50' (15m) extension cable

case

14x22x8", 12 lb (5.5kg)

15 1/2x25x8 1/2", 19 lb (8.6kg)

jaws

short serrated jaws (others may be ordered separately)

fork and tine • flat serrated jaws
short serrated jaws • sampling cups
curved serrated jaws • tool adapter
needle-nose jaws

tools

qty. 2 (two) snares: sm, lg
qty. 2 (two) magnets: sm, lg (w/ case)
qty. 4 (four) hooks: sm, med, lg, xl

push poles

qty. 10 (ten): 5'x3/16"Ø (1.5m x 5mmØ)
qty. 10 (ten): 5'x1/4"Ø (1.5m x 6mmØ)
qty. 10 (ten): 5'x5/16"Ø (1.5m x 8mmØ)
qty. 10 (ten): 5'x3/8"Ø (1.5m x 9mmØ)
qty. 1 (one): 6'x5/16"Ø (150mm x 8mmØ)
qty. 1 (one): 12'x5/16"Ø (300mm x 8mmØ)
qty. 1 (one): 16'x3/16"Ø (405mm x 5mmØ)
qty. 1 (one): 16'x1/4"Ø (405mm x 6mmØ)
qty. 1 (one): 16'x5/16"Ø (405mm x 8mmØ)
qty. 1 (one): 16'x3/8"Ø (405mm x 9mmØ)

push pole accessories

quiver • tee handle • adjustable elbow
rubber flex joint • spring flex joint

misc.

hex keys, screws, hoist lifting ring



JAWS 2.0 can find and retrieve almost any dropped object!



rubber & spring flex joints

adjustable elbow

hoist lifting ring



flat serrated jaws

short serrated jaws

hook with adapter

snare with adapter



sampling cups

fork & tine

curved serrated jaws

magnet with adapter

needle nose jaws

© Sept. 2018 Sensor Networks, Inc. All rights reserved. JAWS 2.0 is a trademark. Patent pending.

176-500 Technology Drive • Boalsburg, PA, 16827 USA
www.sensornetworksinc.com • +1 814-466-7207
 Offices in Houston, Hong Kong, Beijing and Osaka

