

PEDESTALPRO.COM  
1-800-660-3072

UNLESS OTHERWISE SPECIFIED:

DIMENSIONS ARE IN INCHES  
TOLERANCES:  
FRACTIONAL:  $\pm 1/32$   
ANGULAR:  $\pm 2^\circ$   
TWO PLACE DECIMAL  $\pm 0.010$   
THREE PLACE DECIMAL  $\pm 0.005$

INTERPRET GEOMETRIC  
TOLERANCING PER:  
ASME Y14.5 -2009

NAME	DATE
D. Unes	
CHECKED	

**PROPRIETARY AND CONFIDENTIAL**  
THE INFORMATION CONTAINED IN THIS  
DRAWING IS THE SOLE PROPERTY OF  
PEDESTALPRO LLC. ANY REPRODUCTION  
IN PART OR AS A WHOLE WITHOUT THE  
WRITTEN PERMISSION OF PEDESTALPRO LLC  
IS PROHIBITED.

TITLE:

Butterfly 12" Flush-Mount Column

Friday, September 7,  
2018 2:44:19 PM

WEIGHT:

SIZE PART NO.  
**A** MX-SS-12F

NO SCALE

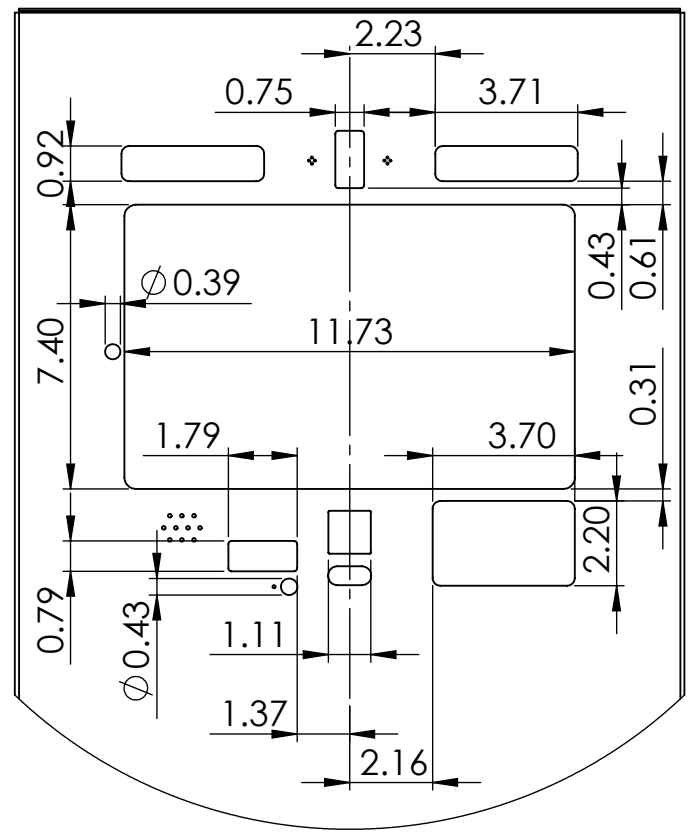
REV  
**A**

SHEET 1 OF 3

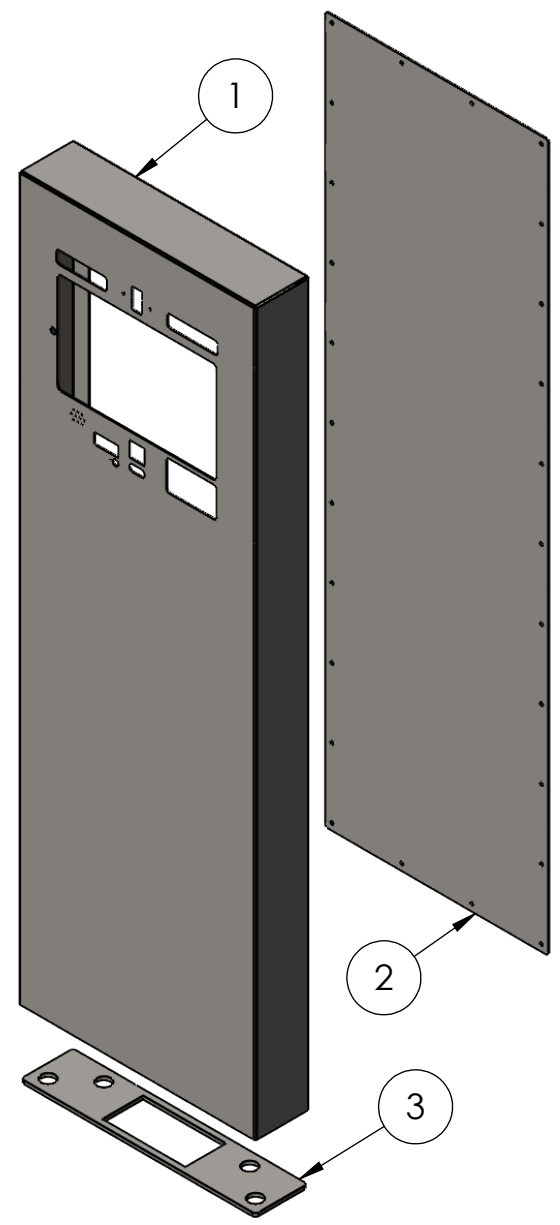
ITEM NO.	PART NUMBER	DESCRIPTION	QTY.
1	MX-12-FlushMountColumn-Body	Column Pedestal for Flush-Mount 12" BMX Panel	1
2	MX-SS-12-PLATE	Butterfly 12" Column Baseplate	1
3	MX-SS-12-PANEL	Butterfly 12" Column Back Panel	1
4	#10-24 1/2" Pan Head Screw	#10-24 1/2" Pan Head Screw	26

Notes

- 1) Baseplate Welded to Column Body
- 2) Back Panel Removable for Installation
- 3) Panel and Body constructed of 14GA 304 Stainless Steel with vertical brushed finished.



DETAIL A  
SCALE 1 : 5

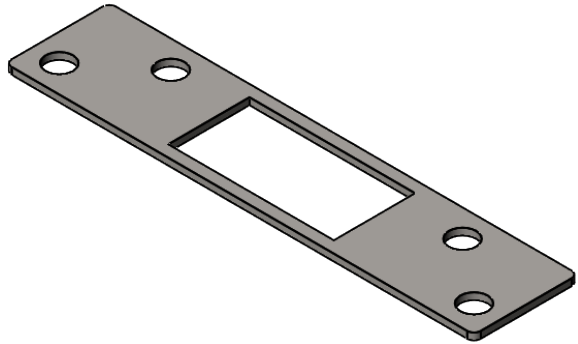


PEDESTALPRO.COM  
1-800-660-3072

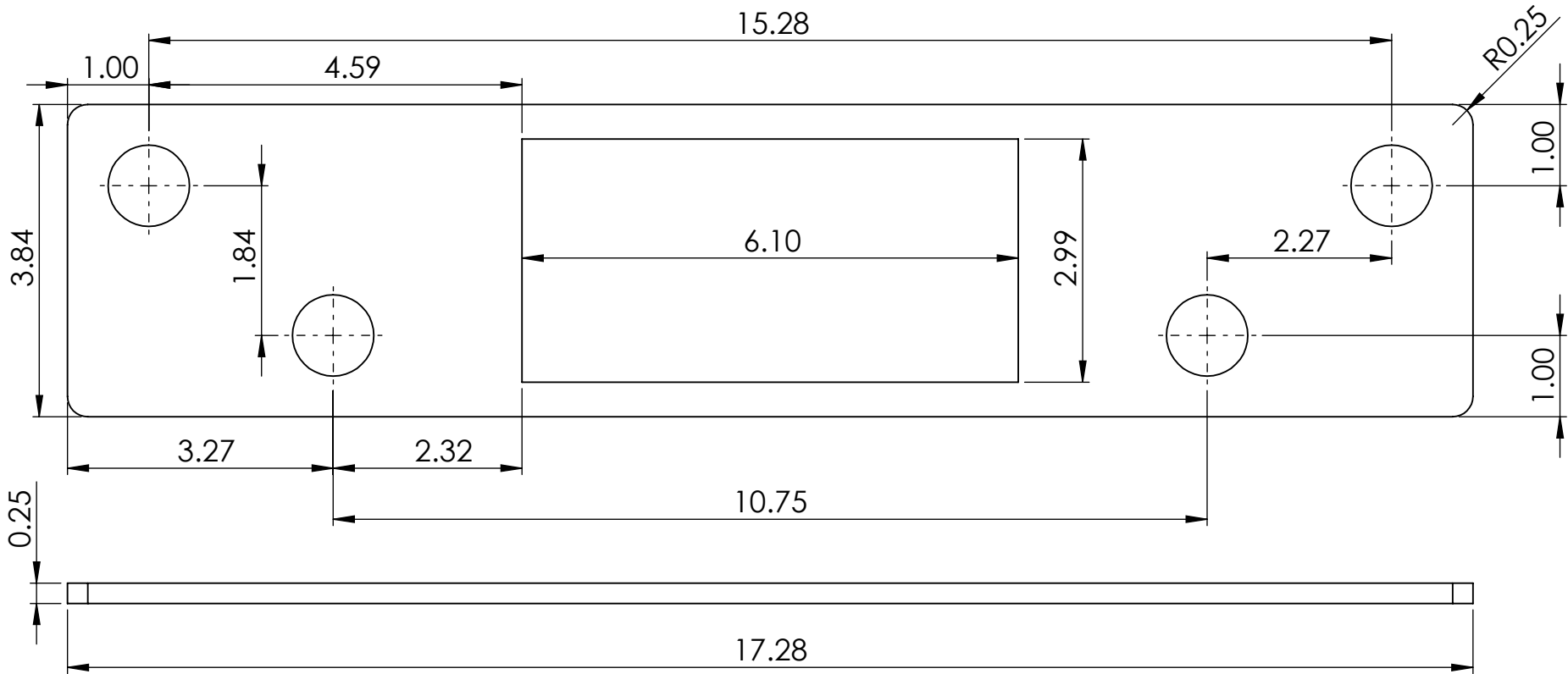
UNLESS OTHERWISE SPECIFIED:  
DIMENSIONS ARE IN INCHES  
TOLERANCES:  
FRACTIONAL ± 1/32  
ANGULAR: ± 2°  
TWO PLACE DECIMAL ± 0.010  
THREE PLACE DECIMAL ± 0.005  
  
INTERPRET GEOMETRIC TOLERANCING PER: ASME Y14.5 -2009

NAME	DATE
D. Unes	
DRAWN	
CHECKED	
<b>PROPRIETARY AND CONFIDENTIAL</b>	
THE INFORMATION CONTAINED IN THIS DRAWING IS THE SOLE PROPERTY OF PEDESTALPRO LLC. ANY REPRODUCTION IN PART OR AS A WHOLE WITHOUT THE WRITTEN PERMISSION OF PEDESTALPRO LLC IS PROHIBITED.	

TITLE:	Butterfly 12" Flush-Mount Column	
DATE:	Friday, September 7, 2018 2:44:19 PM	
WEIGHT:		
SIZE	PART NO.	REV
<b>A</b>	MX-SS-12F	<b>A</b>
	NO SCALE	SHEET 2 OF 3



14GA #304 1/4" Stainless Steel



PEDESTALPRO.COM  
1-800-660-3072

UNLESS OTHERWISE SPECIFIED:

DIMENSIONS ARE IN INCHES  
TOLERANCES:  
FRACTIONAL  $\pm 1/32$   
ANGULAR:  $\pm 2^\circ$   
TWO PLACE DECIMAL  $\pm 0.010$   
THREE PLACE DECIMAL  $\pm 0.005$

INTERPRET GEOMETRIC  
TOLERANCING PER:  
ASME Y14.5 -2009

NAME DATE

DRAWN D. Unes

CHECKED

PROPRIETARY AND CONFIDENTIAL

THE INFORMATION CONTAINED IN THIS  
DRAWING IS THE SOLE PROPERTY OF  
PEDESTALPRO LLC. ANY REPRODUCTION  
IN PART OR AS A WHOLE WITHOUT THE  
WRITTEN PERMISSION OF PEDESTALPRO LLC  
IS PROHIBITED.

TITLE:

Butterfly 12" Column Baseplate

Friday, September 7,  
2018 2:44:19 PM

WEIGHT:

SIZE  
**A**

PART NO.  
MX-SS-12-PLATE

NO SCALE

REV  
**A**

SHEET 3 OF 3