

NOTES:

1. 12GA 304 SS CONSTRUCTION,
BRUSHED VERTICALLY WITH #4 FINISH.



PEDESTALPRO.COM
1-800-660-3072

UNLESS OTHERWISE SPECIFIED:

DIMENSIONS ARE IN INCHES
TOLERANCES:
FRACTIONAL $\pm 1/32$
ANGULAR: $\pm 2^\circ$
TWO PLACE DECIMAL ± 0.010
THREE PLACE DECIMAL ± 0.005

INTERPRET GEOMETRIC
TOLERANCING PER:
ASME Y14.5 -2009

NAME	DATE
DRAWN	
CHECKED	

PROPRIETARY AND CONFIDENTIAL
THE INFORMATION CONTAINED IN THIS
DRAWING IS THE SOLE PROPERTY OF
PEDESTALPRO LLC. ANY REPRODUCTION
IN PART OR AS A WHOLE WITHOUT THE
WRITTEN PERMISSION OF PEDESTALPRO LLC
IS PROHIBITED.

TITLE:
Installation

Wednesday, October
17, 2018 9:31:57 AM

WEIGHT:

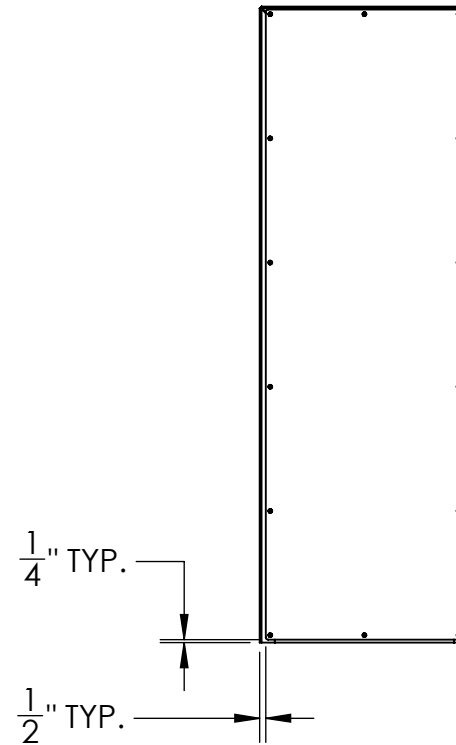
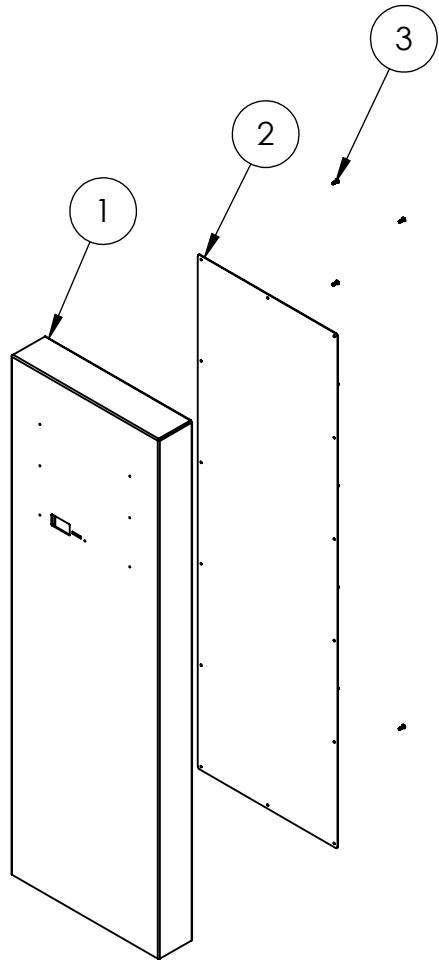
SIZE PART NO.
A MX-SS-12S

NO SCALE

REV
0

SHEET 1 OF 7

ITEM NO.	PART NUMBER	DESCRIPTION	QTY.
1	MX-12-SURFACEMOUNTCOLUMN-BODY-WELDMENT	304 SS COLUMN BODY WITH SUPPORT AND BASEPLATE	1
2	MX-12-COLUMN-BACKPANEL	304 SS REMOVABLE BACK PANEL	1
3	91772A194	18-8 STAINLESS STEEL PAN HEAD PHILLIPS SCREW, 8-32 THREAD X 1/2"	14



PEDESTALPRO.COM
1-800-660-3072

UNLESS OTHERWISE SPECIFIED:

DIMENSIONS ARE IN INCHES
TOLERANCES:
FRACTIONAL $\pm 1/32$
ANGULAR: $\pm 2^\circ$
TWO PLACE DECIMAL ± 0.010
THREE PLACE DECIMAL ± 0.005

INTERPRET GEOMETRIC
TOLERANCING PER:
ASME Y14.5 -2009

NAME	DATE
DRAWN	
CHECKED	

PROPRIETARY AND CONFIDENTIAL
THE INFORMATION CONTAINED IN THIS DRAWING IS THE SOLE PROPERTY OF PEDESTALPRO LLC. ANY REPRODUCTION IN PART OR AS A WHOLE WITHOUT THE WRITTEN PERMISSION OF PEDESTALPRO LLC IS PROHIBITED.

TITLE:
Assembly

Wednesday, October 17, 2018 9:31:57 AM

WEIGHT:

SIZE **A** PART NO. MX-SS-12S

NO SCALE

REV **0**

SHEET 2 OF 7