

PEDESTALPRO.COM
1-800-660-3072

UNLESS OTHERWISE SPECIFIED:

DIMENSIONS ARE IN INCHES
TOLERANCES:
FRACTIONAL $\pm 1/32$
ANGULAR: $\pm 2^\circ$
TWO PLACE DECIMAL ± 0.010
THREE PLACE DECIMAL ± 0.005

INTERPRET GEOMETRIC
TOLERANCING PER:
ASME Y14.5 -2009

NAME	DATE
D. Unes	
CHECKED	

PROPRIETARY AND CONFIDENTIAL
THE INFORMATION CONTAINED IN THIS
DRAWING IS THE SOLE PROPERTY OF
PEDESTALPRO LLC. ANY REPRODUCTION
IN PART OR AS A WHOLE WITHOUT THE
WRITTEN PERMISSION OF PEDESTALPRO LLC
IS PROHIBITED.

TITLE:

Butterfly 7" Flush-Mount Column

Friday, September 7,
2018 2:44:19 PM

WEIGHT:

SIZE PART NO.
A MX-SS-7F

NO SCALE

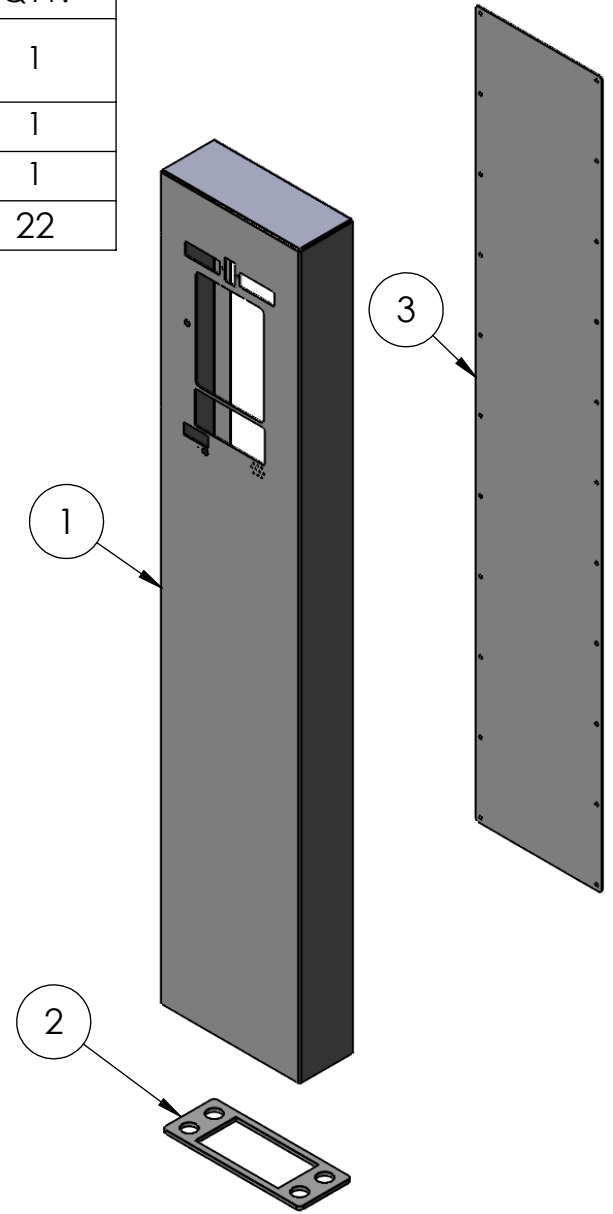
REV
A

SHEET 1 OF 3

ITEM NO.	PART NUMBER	DESCRIPTION	QTY.
1	MX-7-FlushMountColumn-Body	Column Pedestal for Flush-Mount 7" BMX Panel	1
2	MX-SS-7-PLATE	Butterfly 7" Column Baseplate	1
3	MX-SS-7-PANEL	Butterfly 7" Column Back Panel	1
4	#10-24 1/2" Pan Head Screw	#10-24 1/2" Pan Head Screw	22

Notes

- 1) Baseplate Welded to Column Body
- 2) Back Panel Removable for Installation
- 3) Panel and Body constructed of 14GA 304 Stainless Steel with vertical brushed finished.



PEDESTALPRO.COM
1-800-660-3072

UNLESS OTHERWISE SPECIFIED:

DIMENSIONS ARE IN INCHES
TOLERANCES:
FRACTIONAL ± 1/32
ANGULAR: ± 2°
TWO PLACE DECIMAL ± 0.010
THREE PLACE DECIMAL ± 0.005

INTERPRET GEOMETRIC
TOLERANCING PER:
ASME Y14.5 -2009

NAME	DATE
D. Unes	
CHECKED	

PROPRIETARY AND CONFIDENTIAL
THE INFORMATION CONTAINED IN THIS DRAWING IS THE SOLE PROPERTY OF PEDESTALPRO LLC. ANY REPRODUCTION IN PART OR AS A WHOLE WITHOUT THE WRITTEN PERMISSION OF PEDESTALPRO LLC IS PROHIBITED.

TITLE:

Butterfly 7" Flush-Mount Column

Friday, September 7,
2018 2:44:19 PM

WEIGHT:

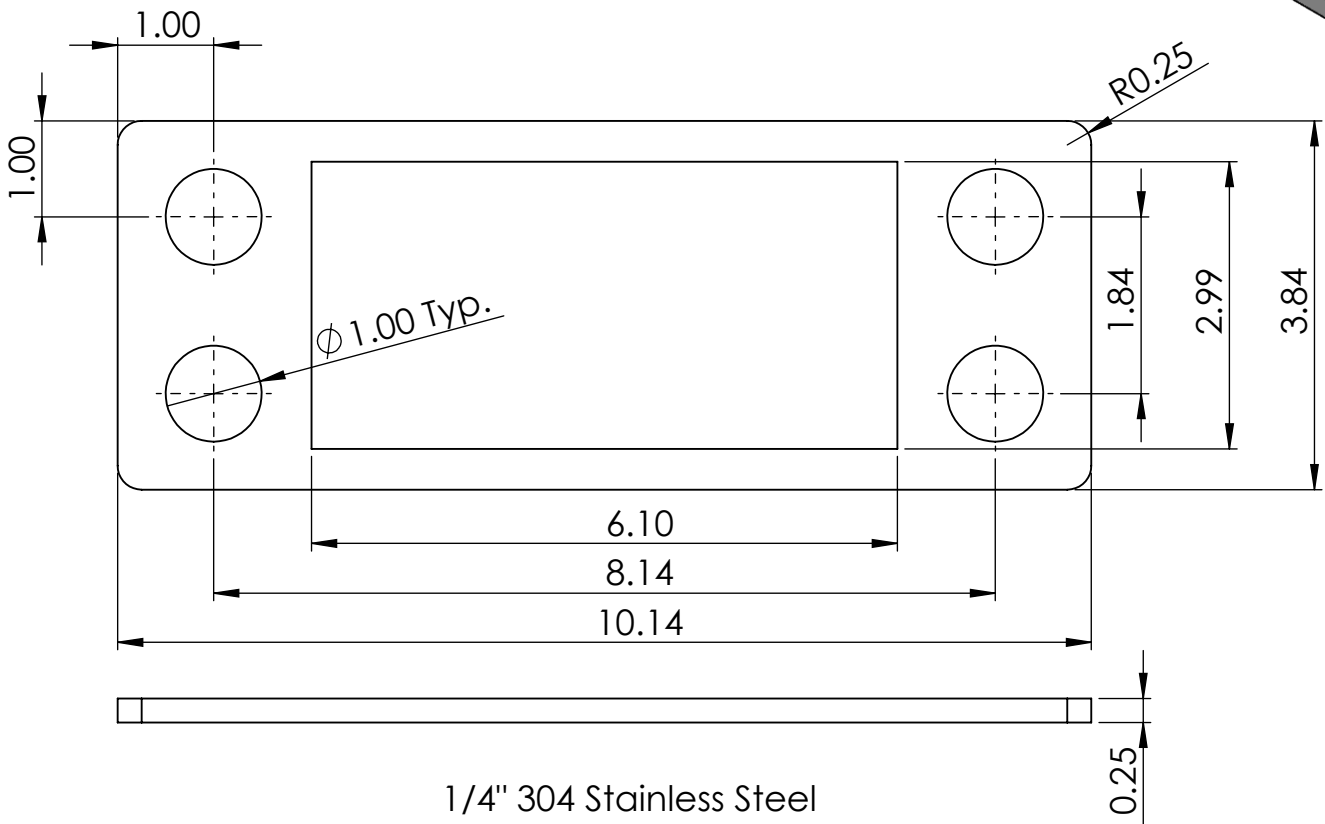
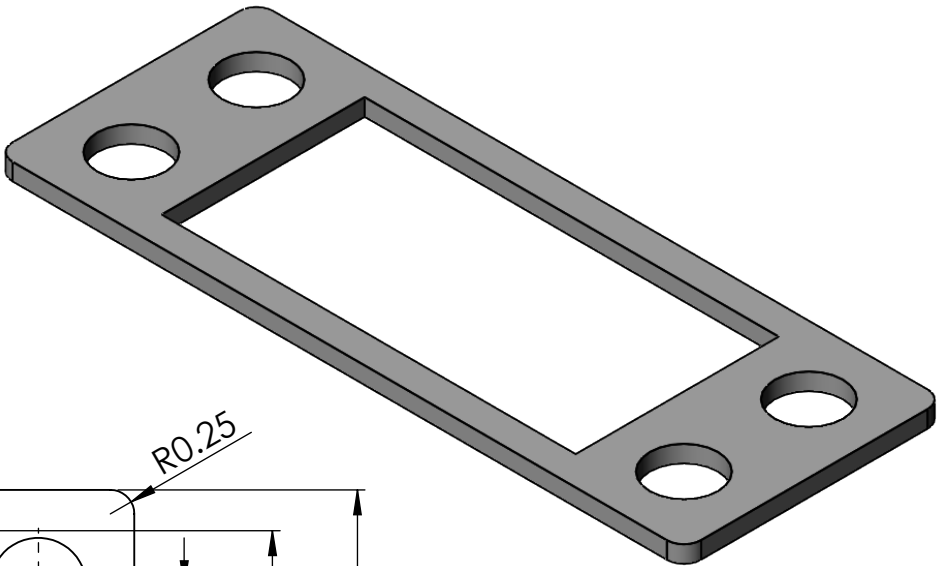
SIZE
A

PART NO.
MX-SS-7F

NO SCALE

REV
A

SHEET 2 OF 3



1/4" 304 Stainless Steel



PEDESTALPRO.COM
1-800-660-3072

UNLESS OTHERWISE SPECIFIED:
DIMENSIONS ARE IN INCHES
TOLERANCES:
FRACTIONAL $\pm 1/32$
ANGULAR: $\pm 2^\circ$
TWO PLACE DECIMAL ± 0.010
THREE PLACE DECIMAL ± 0.005
INTERPRET GEOMETRIC
TOLERANCING PER:
ASME Y14.5 -2009

NAME	DATE
D. Unes	
DRAWN	
CHECKED	
PROPRIETARY AND CONFIDENTIAL	
THE INFORMATION CONTAINED IN THIS DRAWING IS THE SOLE PROPERTY OF PEDESTALPRO LLC. ANY REPRODUCTION IN PART OR AS A WHOLE WITHOUT THE WRITTEN PERMISSION OF PEDESTALPRO LLC IS PROHIBITED.	

TITLE:
Butterfly 7" Column Baseplate

Friday, September 7,
2018 2:44:19 PM

WEIGHT:

SIZE **A** PART NO.
MX-SS-7-PLATE

NO SCALE

REV **A**

SHEET 3 OF 3