

7.8" X 50" OPENING

NOTES:
 1. 12GA 304 SS CONSTRUCTION,
 BRUSHED VERTICALLY WITH #4 FINISH.



PEDESTALPRO.COM
 1-800-660-3072

UNLESS OTHERWISE SPECIFIED:
 DIMENSIONS ARE IN INCHES
 TOLERANCES:
 FRACTIONAL $\pm 1/32$
 ANGULAR: $\pm 2^\circ$
 TWO PLACE DECIMAL ± 0.010
 THREE PLACE DECIMAL ± 0.005

INTERPRET GEOMETRIC TOLERANCING PER: ASME Y14.5 -2009

DRAWN
 CHECKED

NAME
 DATE

PROPRIETARY AND CONFIDENTIAL
 THE INFORMATION CONTAINED IN THIS DRAWING IS THE SOLE PROPERTY OF PEDESTALPRO LLC. ANY REPRODUCTION IN PART OR AS A WHOLE WITHOUT THE WRITTEN PERMISSION OF PEDESTALPRO LLC IS PROHIBITED.

TITLE:
Installation

Monday, October 22, 2018

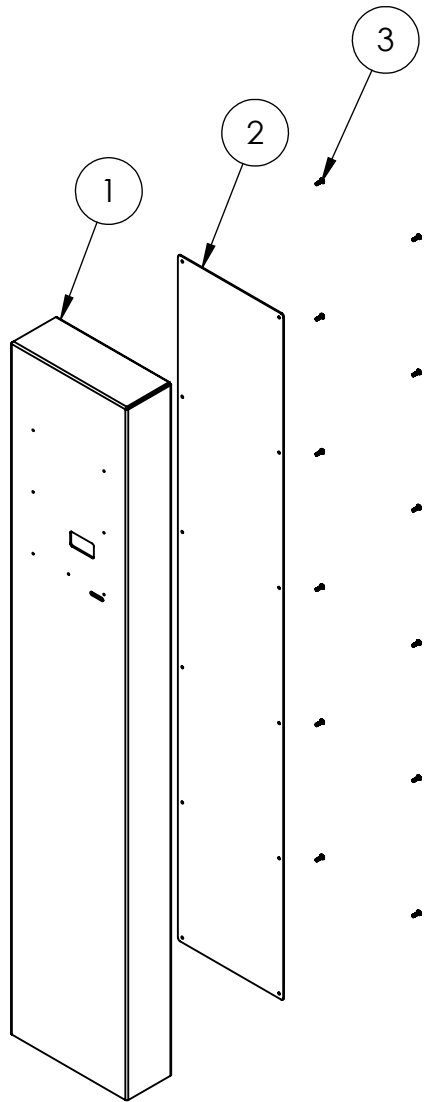
WEIGHT:

SIZE **A** PART NO. MX-SS-7S

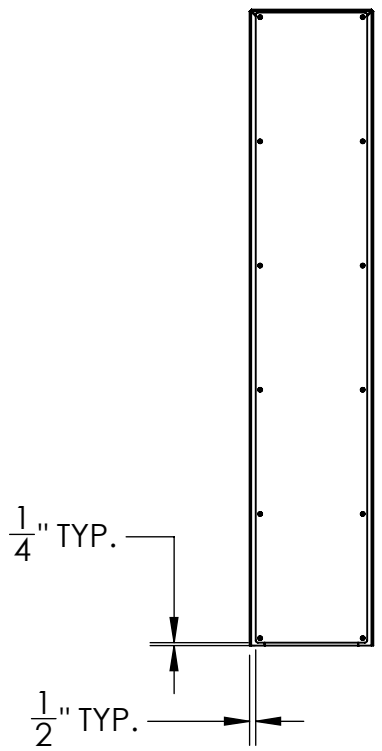
NO SCALE

REV **0**

SHEET 1 OF 7



ITEM NO.	PART NUMBER	DESCRIPTION	QTY.
1	MX-7-SURFACEMOUNTCOLUMN-BODY-WELDMENT	304 SS COLUMN BODY WITH SUPPORT AND BASEPLATE	1
2	MX-7-COLUMN-BACKPANEL	304 SS REMOVABLE BACK PANEL	1
3	91772A194	18-8 STAINLESS STEEL PAN HEAD PHILLIPS SCREW, 8-32 THREAD X 1/2"	12



PEDESTALPRO.COM
1-800-660-3072

UNLESS OTHERWISE SPECIFIED:
 DIMENSIONS ARE IN INCHES
 TOLERANCES:
 FRACTIONAL $\pm 1/32$
 ANGULAR: $\pm 2^\circ$
 TWO PLACE DECIMAL ± 0.010
 THREE PLACE DECIMAL ± 0.005
 INTERPRET GEOMETRIC TOLERANCING PER: ASME Y14.5 -2009

NAME	DATE
DRAWN	
CHECKED	
PROPRIETARY AND CONFIDENTIAL	
THE INFORMATION CONTAINED IN THIS DRAWING IS THE SOLE PROPERTY OF PEDESTALPRO LLC. ANY REPRODUCTION IN PART OR AS A WHOLE WITHOUT THE WRITTEN PERMISSION OF PEDESTALPRO LLC IS PROHIBITED.	

TITLE: Assembly	DATE: Monday, October 22, 2018	SIZE: A	PART NO. MX-SS-7S	REV 0
WEIGHT:	NO SCALE	SHEET 2 OF 7		