

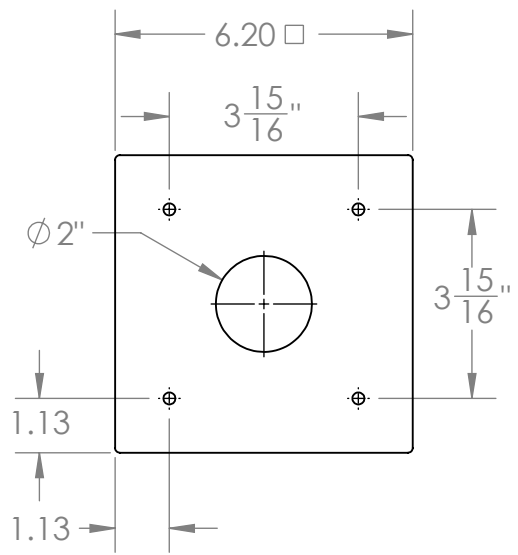
PEDESTALPRO.COM
1-800-660-3072

UNLESS OTHERWISE SPECIFIED:
 DIMENSIONS ARE IN INCHES
 TOLERANCES:
 FRACTIONAL: $\pm 1/32$
 ANGULAR: $\pm 2^\circ$
 TWO PLACE DECIMAL: ± 0.010
 THREE PLACE DECIMAL: ± 0.005
 INTERPRET GEOMETRIC TOLERANCING PER: ASME Y14.5 -2009

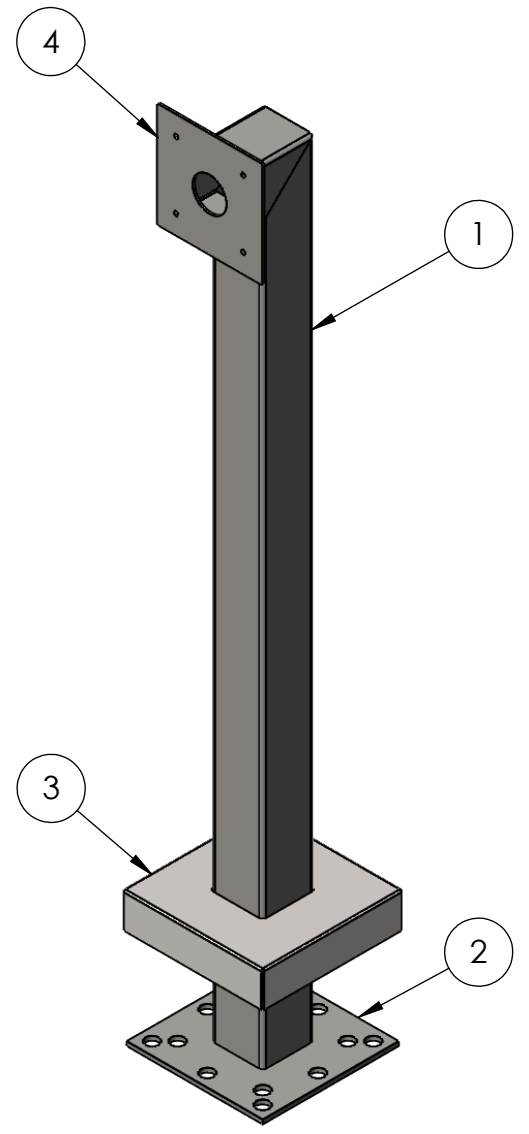
NAME	DATE
D. Unes	9/27/18
CHECKED	
PROPRIETARY AND CONFIDENTIAL	
THE INFORMATION CONTAINED IN THIS DRAWING IS THE SOLE PROPERTY OF PEDESTALPRO LLC. ANY REPRODUCTION IN PART OR AS A WHOLE WITHOUT THE WRITTEN PERMISSION OF PEDESTALPRO LLC IS PROHIBITED.	

TITLE:		Butterfly MX Standard Low Profile Pedestal	
Thursday, September 27, 2018 10:35:26 AM		SIZE	PART NO.
WEIGHT: Approx 26.5 lbs		A	MX-SS-45-1LP
NOT TO SCALE		REV 1	
SHEET 1 OF 3			

ITEM NO.	PART NUMBER	DESCRIPTION	QTY.
1	MX-SS-45-1LP-Tube	3" Square Tube .120 Wall	1
2	BASE-8800	Production 8" Baseplate	1
3	COVER-8800	Production 8" Plate Cover	1
4	MX-SS-45-1LP-Faceplate	Butterfly Faceplate for Adapter	1



Faceplate Detail



PEDESTALPRO.COM
1-800-660-3072

UNLESS OTHERWISE SPECIFIED:
DIMENSIONS ARE IN INCHES
TOLERANCES:
FRACTIONAL $\pm 1/32$
ANGULAR: $\pm 2^\circ$
TWO PLACE DECIMAL ± 0.010
THREE PLACE DECIMAL ± 0.005

INTERPRET GEOMETRIC TOLERANCING PER: ASME Y14.5 -2009

NAME	DATE
D. Unes	9/27/18

CHECKED

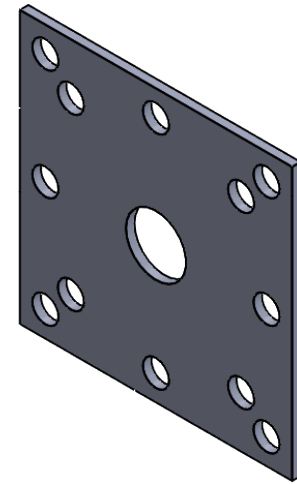
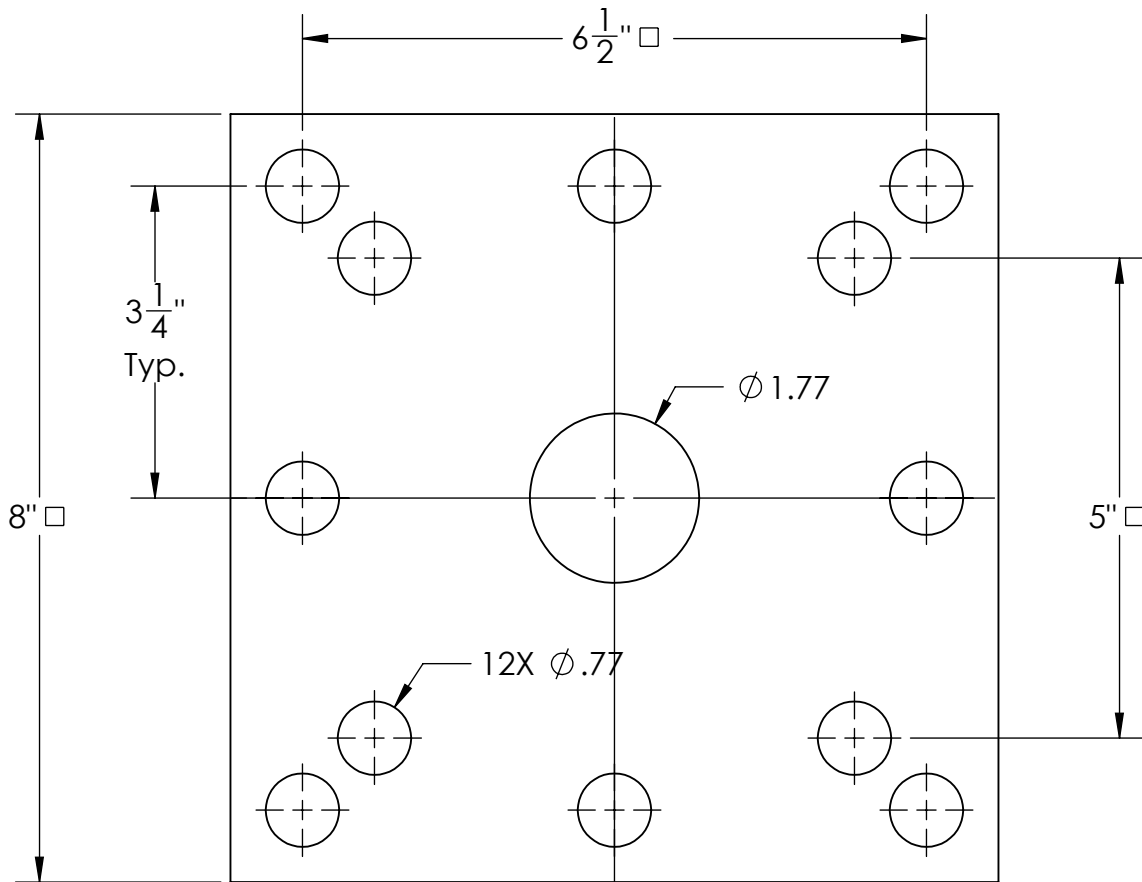
PROPRIETARY AND CONFIDENTIAL
THE INFORMATION CONTAINED IN THIS DRAWING IS THE SOLE PROPERTY OF PEDESTALPRO LLC. ANY REPRODUCTION IN PART OR AS A WHOLE WITHOUT THE WRITTEN PERMISSION OF PEDESTALPRO LLC IS PROHIBITED.

TITLE:
MX-SS-45-1LP

Thursday, September 27, 2018 10:35:26 AM
WEIGHT:

SIZE	PART NO.	REV
A	MX-SS-45-1LP	1

NO SCALE SHEET 2 OF 3



PEDESTALPRO.COM
1-800-660-3072

UNLESS OTHERWISE SPECIFIED:

DIMENSIONS ARE IN INCHES
TOLERANCES:
FRACTIONAL: $\pm 1/32$
ANGULAR: $\pm 2^\circ$
TWO PLACE DECIMAL: ± 0.010
THREE PLACE DECIMAL: ± 0.005

INTERPRET GEOMETRIC
TOLERANCING PER:
ASME Y14.5 -2009

NAME DATE

DRAWN

CHECKED

PROPRIETARY AND CONFIDENTIAL

THE INFORMATION CONTAINED IN THIS
DRAWING IS THE SOLE PROPERTY OF
PEDESTALPRO LLC. ANY REPRODUCTION
IN PART OR AS A WHOLE WITHOUT THE
WRITTEN PERMISSION OF PEDESTALPRO LLC
IS PROHIBITED.

TITLE:

Production 8" Baseplate

Thursday, September
27, 2018 10:35:26 AM

WEIGHT:

SIZE
A

PART NO.
PLATE-8800

REV
1

NO SCALE

SHEET 3 OF 3