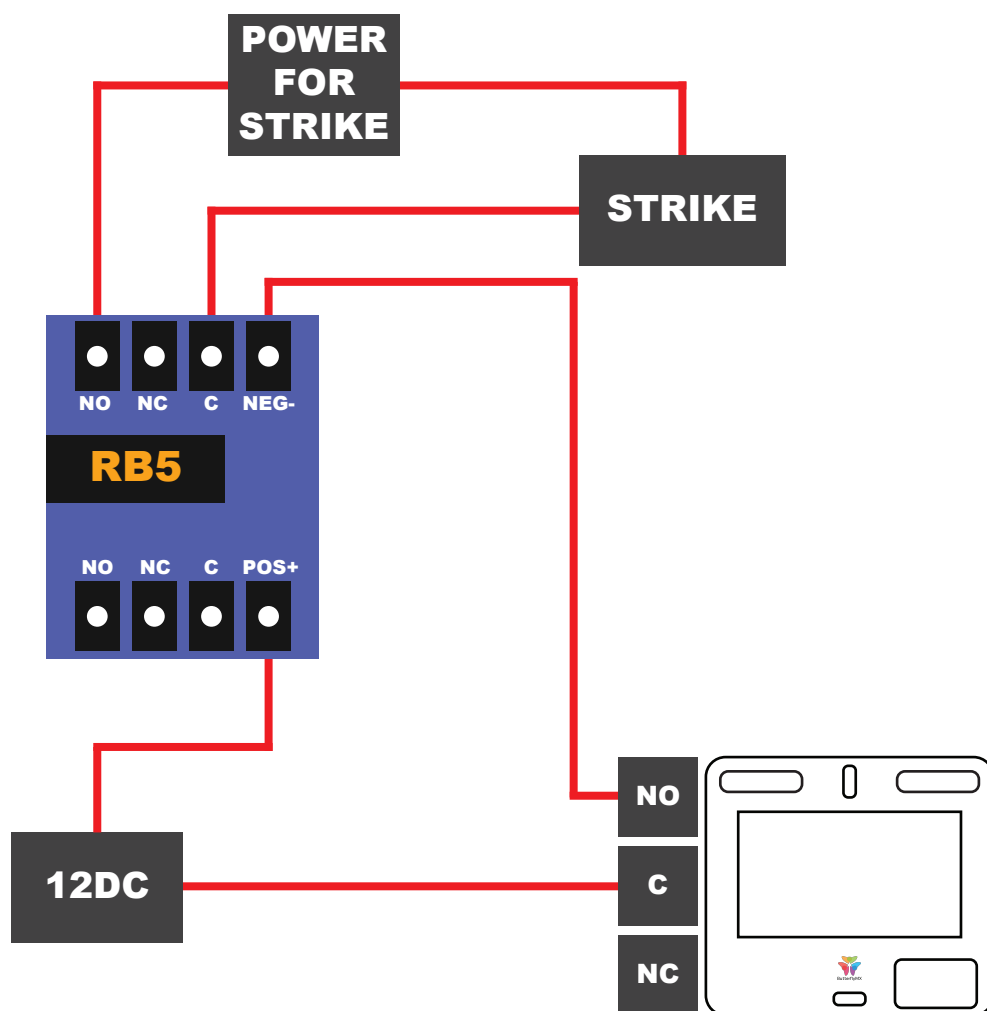


Isolation Relay Wiring Diagram



When installing a Butterfly panel at a building without an access control system, the butterfly needs to be wired directly to an electric lock. This requires the introduction of an isolation relay and 12vdc adapter to avoid looping in extra voltage.

Isolation Relay: [RELAY 6-12VDC @5A DPDT](#)

Power Adapter: [12VDC 500MA W/ CORD AND 2.1MM](#)

ButterflyMX Support Team Contact Information:

Phone: 864-659-2323 (Mon-Fri 6am - 10pm EST)

Email: support@butterflymx.com