

# THE CROWDSOURCED FRAMEWORK FOR CRYPTO EXCHANGE TRANSPARENCY

## PROBLEM:

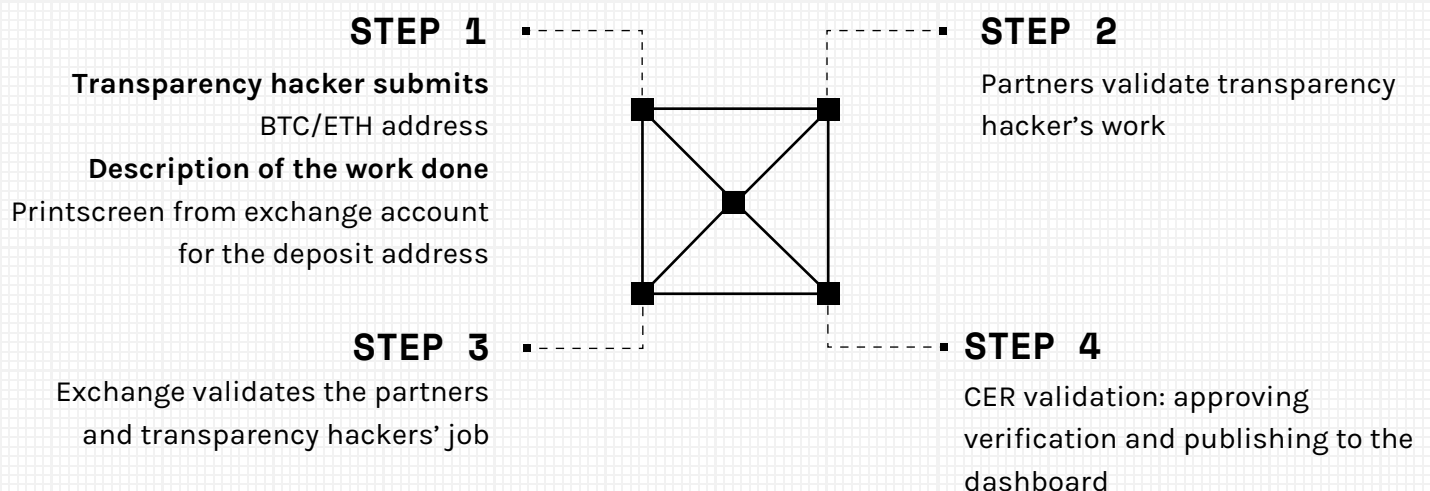
The rapid dumps of the main digital assets, exit scams, trade volume manipulations... The key uncertainties of the crypto world are related to exchanges that operate as black boxes. Based on research carried out by CER, it is apparent that the community has lost its confidence in using trade volumes as a key metric for exchange ranking. The market ranks cryptocurrencies by the market cap and trade volume but why should we keep ranking exchanges only by one metric?

## SOLUTION:

As true believers in the crypto revolution, CER is launching a crowdsource framework for exchanges' Hot and Cold balance detection. It will help us determine the number of funds each exchange has. It's the most accurate sustainability and reliability metric of crypto exchanges.

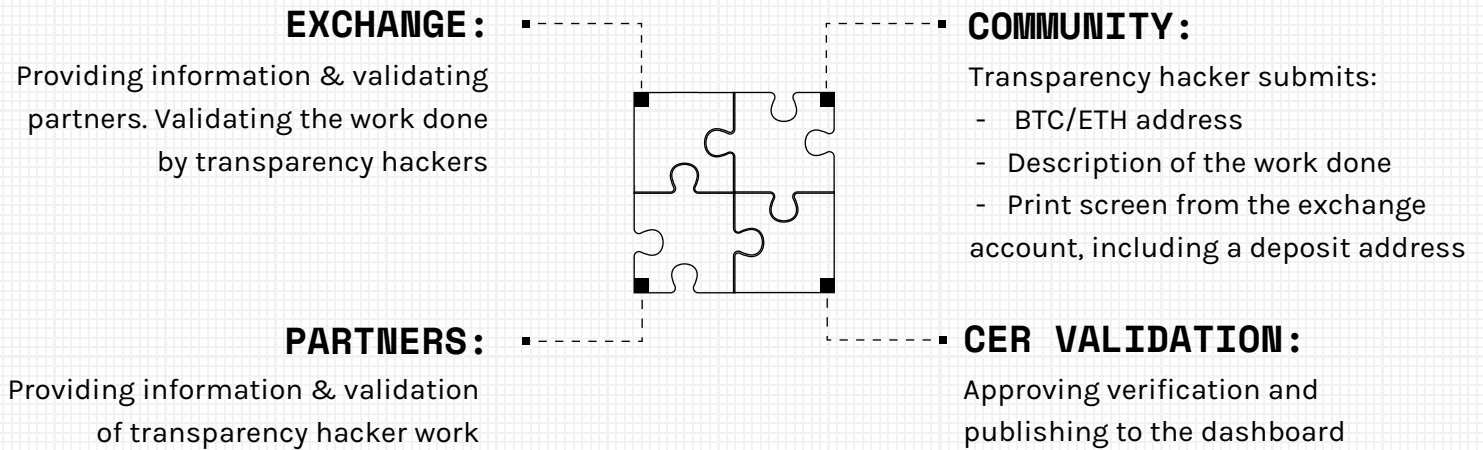
Now, it's time for the community to take the next step towards helping the crypto market achieve maturity. CER enables any crypto enthusiast to help us collect the information about the exchanges' cold & hot wallets. Join our global transparency hacking initiative!

## HOW IT WORKS:



## HOW IT'S CHECKED?

The highest quality of the results is ensured by the 4 level wallet evaluation system. It's created to filter wallets which will take part in the calculation. The following steps are equally important when calculating the final result:



## HOW IT LOOKS:

TOP 10 Exchanges by CER							BTC/USD \$6,283.96	ETH/USD \$207.62
EXCHANGE ↓↑	CERTIFICATION ↓↑	COUNTRY ↓↑	WALLETS BALANCE ↓↑	REPORTED VOLUME ↓↑	ADJUSTED VOLUME ↓↑	ACTIVITY INDEX ↓↑	GENERAL ↓↑	
Binance	Certified	Malta	\$614,652,607	\$764,652,607	no data	0.8	8.05 ↑	
Bitfinex	Unverified	British Virgi	BTC Hot wallets	\$783 473 847	\$64,652,607	no data	0.8	8.05 ↑
			BTC Cold wallets	\$783 473 847				
Huobi	Not certified	Russ	ETH Hot wallets	\$783 473 847	\$64,652,607	no data	0.8	8.05 ↑
			ETH Cold wallets	\$783 473 847				
Bitstamp	Not certified	Canac	Hackers submissions	578				
			Validated by partners	300	\$64,652,607	no data	0.8	8.05 ↑
			Approved by CER	250				
Bittrex	Certified	Germany	\$614,652,607	\$64,652,607	no data	0.8	8.05 ↓	
Bitfinex	Certified	Australia	\$614,652,607	\$764,652,607	no data	0.8	8.05 ↑	
Bitstamp	Unverified	United Kingdom	\$614,652,607	\$764,652,607	no data	0.8	8.05 ↓	
OKCoin	Certified	India	\$614,652,607	\$764,652,607	no data	0.8	8.05 ↑	
Bithumb	Certified	Germany	\$614,652,607	\$764,652,607	no data	0.8	8.05 ↓	
Bitfinex	Certified	Australia	\$614,652,607	\$764,652,607	no data	0.8	8.05 ↑	

## BENEFITS OF PARTICIPATION:

### EXCHANGES

- Retain community trust by making your balances transparent.
- Attract new users and liquidity providers.
- Take a leading position in the newly standardized competitive struggle.
- Benefit from the global coverage of the CER initiative.
- Increase your revenue as the market matures and grows.

### PARTNERS

- Increase your brand awareness by joining this global initiative.
- Get an influx of new clients who are impressed by the expertise you can provide by being a part of a global initiative.
- Attract different sources of financing in order to expand your operations.
- Get access to exclusive data for analysis and improving research algorithms.

### TRANSPARENCY HACKERS

- Get the financial rewards for disclosing exchange's public wallets.
- Become an opinion leader.
- Become an official CER partner in your region.
- Get access to the hottest insights within a closed community of transparency hackers.

## REWARDS FOR TRANSPARENCY HACKERS:

1 cold wallet submit and approved (duplicates)	<b>5 HKN</b>
1 hot wallet submit and approved (duplicates)	<b>3 HKN</b>
10 cold/hot wallets bonus	<b>20 HKN</b>

## REALISTIC WORK DAY RESULTS:

	Exchanges	Hot wallets	Cold wallets
Number	3	6	16
Payout		18	80
Bonus		20	20

**Daily earning 138 HKN**

- For the first month, the TOP transparency hacker will receive a one-off reward of 5K HKN
- The TOP 10 Transparency hackers will receive an extra bonus in accordance with their contributions
- Based on the weekly results, we will promote the most active transparency hacker on our Twitter page

## HOW TO START?

### EXCHANGES

- Register and verify your corporate account on the CER platform.
- Submit your hot and cold wallets.
- Get a CER certificate.

### PARTNERS

- Apply for a partnership with the CER platform.
- Determine your commitment.
- Make your contribution.

### TRANSPARENCY HACKERS

- Register on the CER platform.
- Learn how to find exchange's hot and cold wallets in the CER FAQ.
- Submit your findings.
- Receive your reward.

**MAKE YOUR IMPACT ON THE FUTURE OF CRYPTO!**