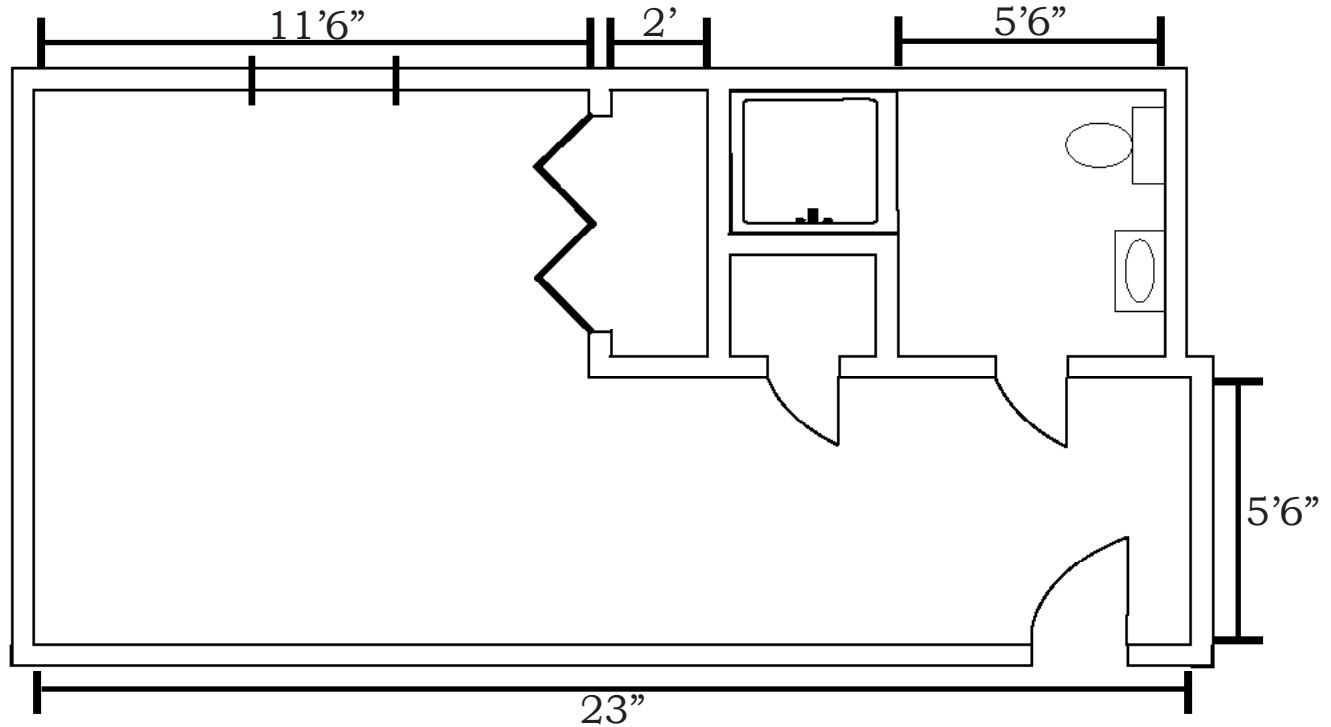


Apprx. 265 square feet

# Apartments: 1,27



### SERVICES INCLUDE:

- 24-hour assistance
- *CareSteps* personal care plan
  - Ongoing Checks
  - Scheduled & unscheduled nurse practitioner
  - Scheduled podiatrist visits
  - Medication purchasing & assistance
  - Quarterly & as-needed care evaluations
  - Home health nursing & therapies & Hospice
- Three home-style meals daily
- Planned off & on-site recreation
- Scheduled transportation
- Weekly housekeeping & daily tidy ups
- Weekly personal laundry

### APARTMENT FEATURES:

- Emergency alert system
- Individually controlled heat & AC
- Large picture windows
- Private bath with shower with safety bars and seat
- All utilities included
- Special soundproofing between apartments
- Cable TV, internet, and phone ready

**Community Fee:** \_\_\_\_\_

**Rent:** \_\_\_\_\_

**CareSteps:** \_\_\_\_\_

**Phone:** \_\_\_\_\_

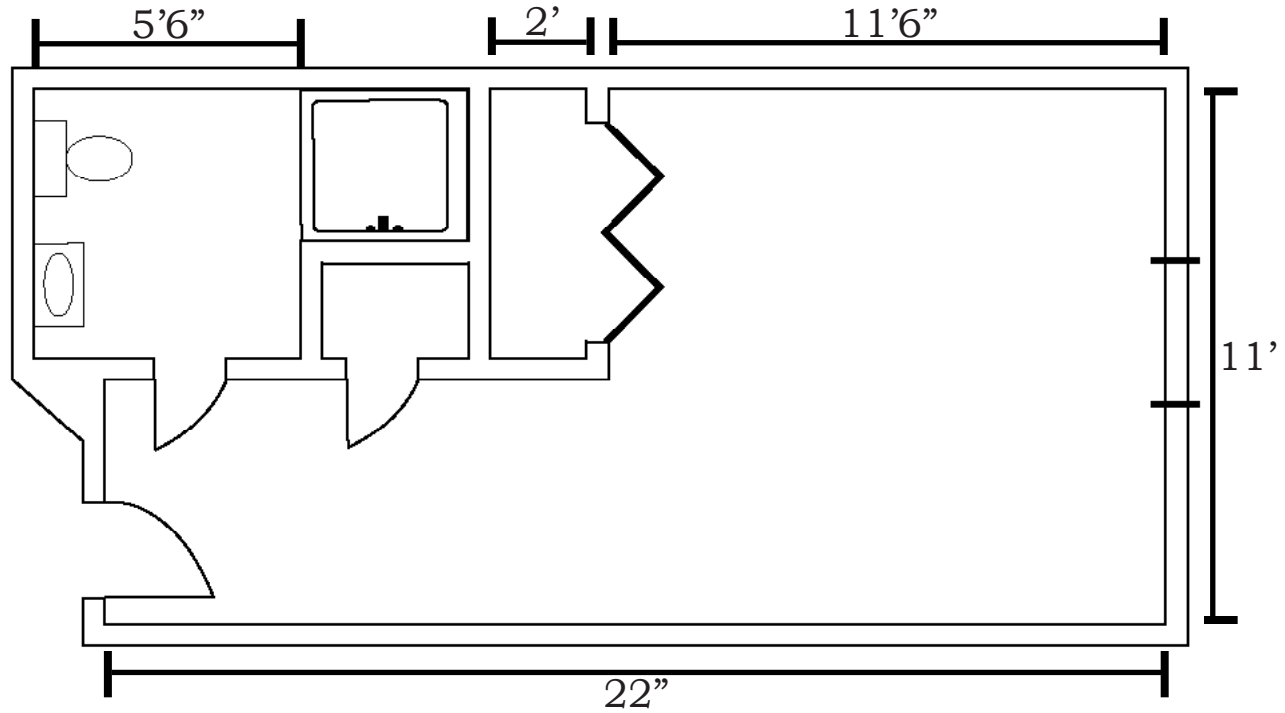
**Date:** \_\_\_\_\_ **Total:** \_\_\_\_\_

**Developed For:** \_\_\_\_\_



Apprx. 259 square feet

# Apartments 2,3,4,23,24,25,26



## SERVICES INCLUDE:

- 24-hour assistance
- *CareSteps* personal care plan
  - Ongoing Checks
  - Scheduled & unscheduled nurse practitioner
  - Scheduled podiatrist visits
  - Medication purchasing & assistance
  - Quarterly & as-needed care evaluations
  - Home health nursing & therapies & Hospice
- Three home-style meals daily
- Planned off & on-site recreation
- Scheduled transportation
- Weekly housekeeping & daily tidy ups
- Weekly personal laundry

## APARTMENT FEATURES:

- Emergency alert system
- Individually controlled heat & AC
- Large picture windows
- Private bath with shower with safety bars and seat
- All utilities included
- Special soundproofing between apartments
- Cable TV, internet, and phone ready

**Community Fee:** \_\_\_\_\_

**Rent:** \_\_\_\_\_

**CareSteps:** \_\_\_\_\_

**Phone:** \_\_\_\_\_

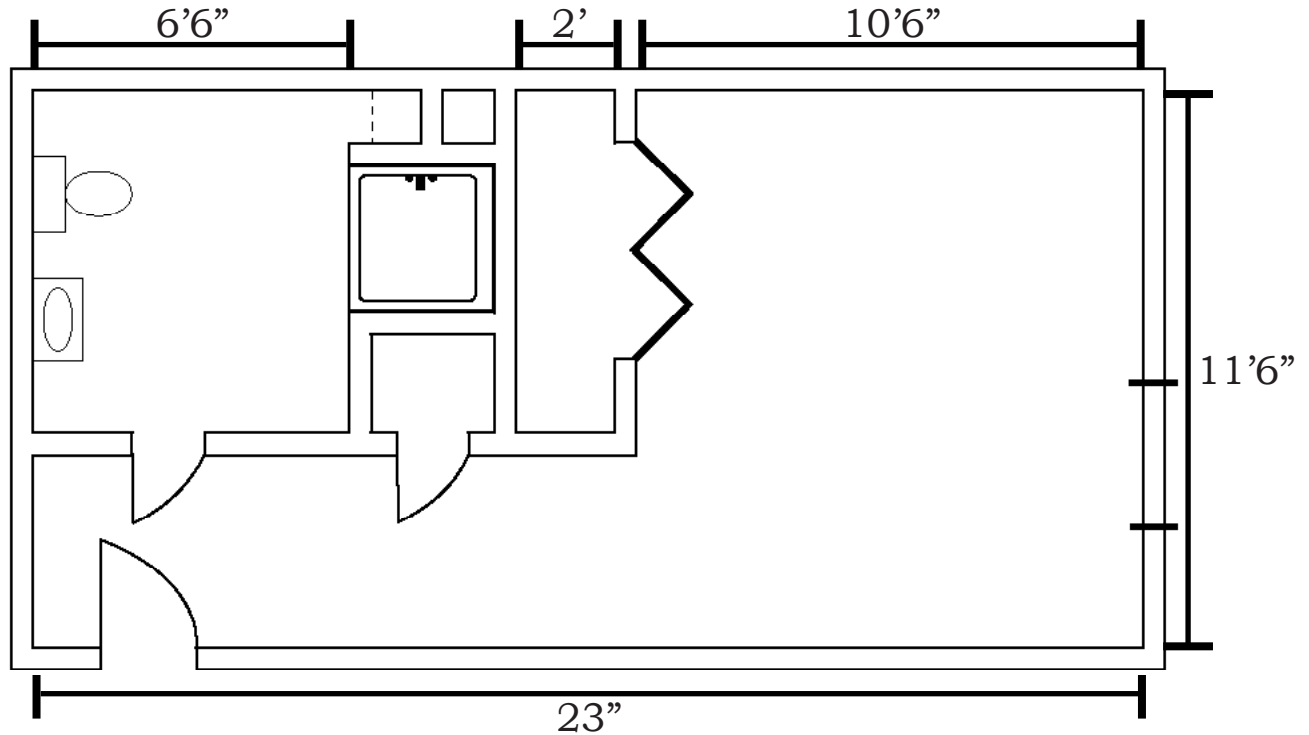
**Date:** \_\_\_\_\_ **Total:** \_\_\_\_\_

**Developed For:** \_\_\_\_\_



Apprx. 265 square feet

# Apartments: 12,16



### SERVICES INCLUDE:

- 24-hour assistance
- *CareSteps* personal care plan
  - Ongoing Checks
  - Scheduled & unscheduled nurse practitioner
  - Scheduled podiatrist visits
  - Medication purchasing & assistance
  - Quarterly & as-needed care evaluations
  - Home health nursing & therapies & Hospice
- Three home-style meals daily
- Planned off & on-site recreation
- Scheduled transportation
- Weekly housekeeping & daily tidy ups
- Weekly personal laundry

### APARTMENT FEATURES:

- Emergency alert system
- Individually controlled heat & AC
- Large picture windows
- Private bath with shower with safety bars and seat
- All utilities included
- Special soundproofing between apartments
- Cable TV, internet, and phone ready

**Community Fee:** \_\_\_\_\_

**Rent:** \_\_\_\_\_

**CareSteps:** \_\_\_\_\_

**Phone:** \_\_\_\_\_

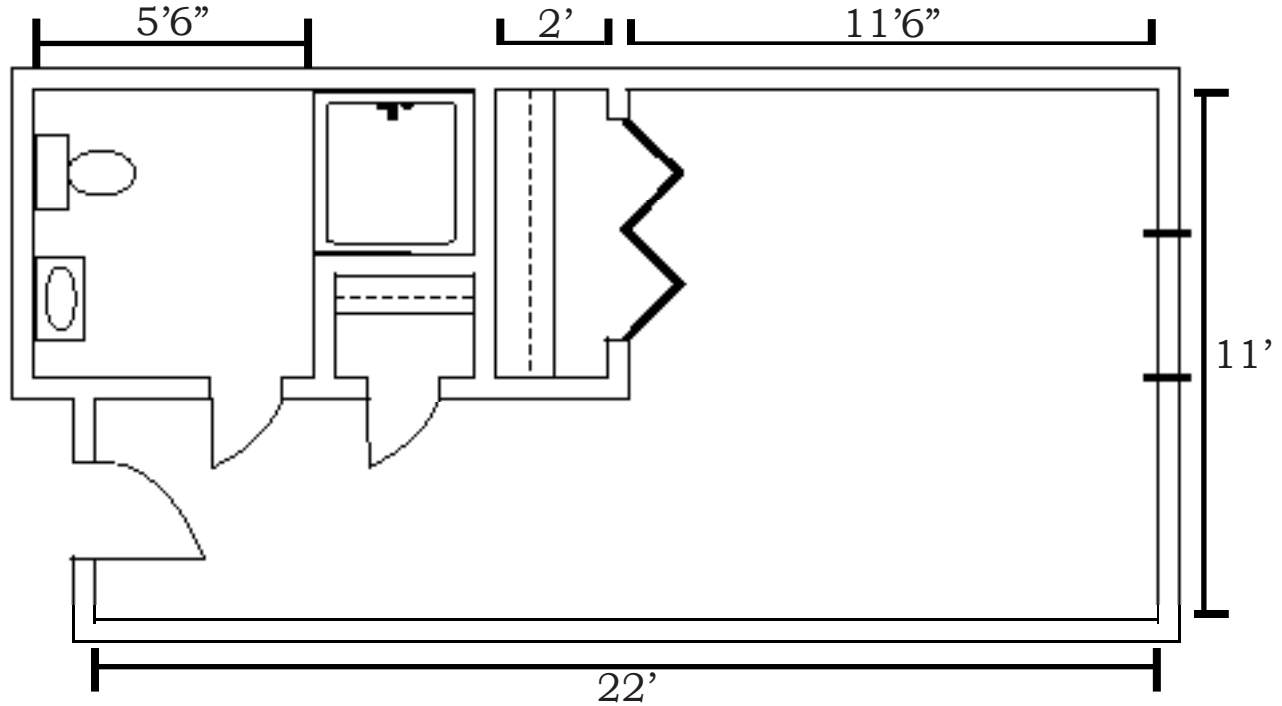
**Date:** \_\_\_\_\_ **Total:** \_\_\_\_\_

**Developed For:** \_\_\_\_\_



Apprx. 259 square feet

# Apartments: 11,17



### SERVICES INCLUDE:

- 24-hour assistance
- *CareSteps* personal care plan
  - Ongoing Checks
  - Scheduled & unscheduled nurse practitioner
  - Scheduled podiatrist visits
  - Medication purchasing & assistance
  - Quarterly & as-needed care evaluations
  - Home health nursing & therapies & Hospice
- Three home-style meals daily
- Planned off & on-site recreation
- Scheduled transportation
- Weekly housekeeping & daily tidy ups
- Weekly personal laundry

### APARTMENT FEATURES:

- Emergency alert system
- Individually controlled heat & AC
- Large picture windows
- Private bath with shower with safety bars and seat
- All utilities included
- Special soundproofing between apartments
- Cable TV, internet, and phone ready

**Community Fee:** \_\_\_\_\_

**Rent:** \_\_\_\_\_

***CareSteps*:** \_\_\_\_\_

**Phone:** \_\_\_\_\_

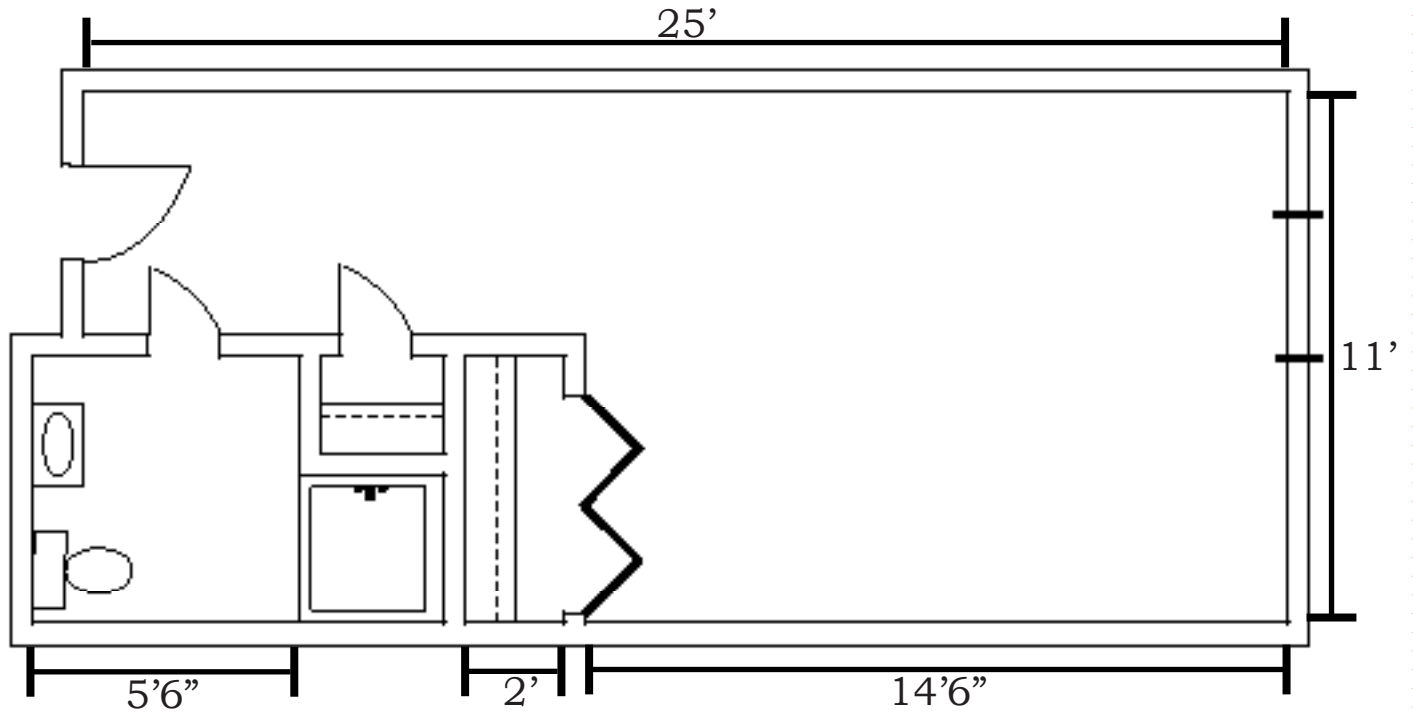
**Date:** \_\_\_\_\_ **Total:** \_\_\_\_\_

**Developed For:** \_\_\_\_\_



Apprx. 309 square feet

# Apartments: 13, 14, 15



### SERVICES INCLUDE:

- 24-hour assistance
- *CareSteps* personal care plan
  - Ongoing Checks
  - Scheduled & unscheduled nurse practitioner
  - Scheduled podiatrist visits
  - Medication purchasing & assistance
  - Quarterly & as-needed care evaluations
  - Home health nursing & therapies & Hospice
- Three home-style meals daily
- Planned off & on-site recreation
- Scheduled transportation
- Weekly housekeeping & daily tidy ups
- Weekly personal laundry

### APARTMENT FEATURES:

- Emergency alert system
- Individually controlled heat & AC
- Large picture windows
- Private bath with shower with safety bars and seat
- All utilities included
- Special soundproofing between apartments
- Cable TV, internet, and phone ready

**Community Fee:** \_\_\_\_\_

**Rent:** \_\_\_\_\_

**CareSteps:** \_\_\_\_\_

**Phone:** \_\_\_\_\_

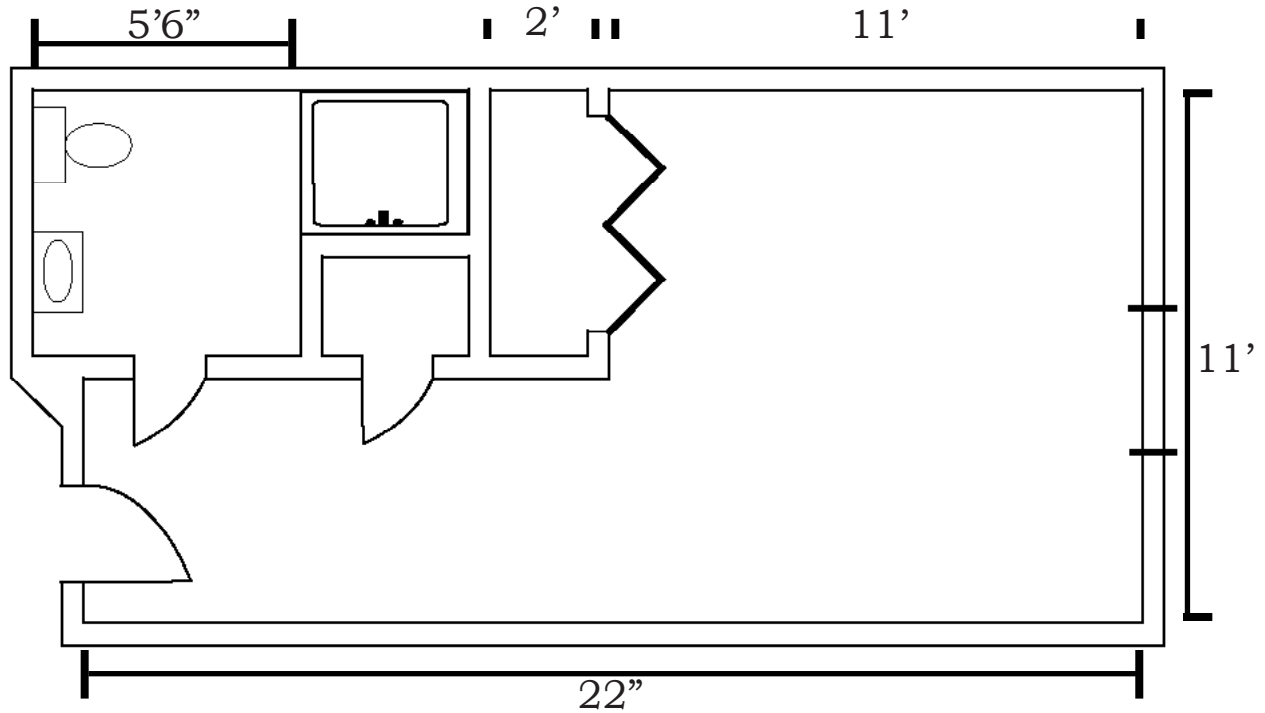
**Date:** \_\_\_\_\_ **Total:** \_\_\_\_\_

**Developed For:** \_\_\_\_\_



Apprx. 259 square feet

# Apartments:: 5,6,7,8,9,10,18,19,20



## SERVICES INCLUDE:

- 24-hour assistance
- *CareSteps* personal care plan
  - Ongoing Checks
  - Scheduled & unscheduled nurse practitioner
  - Scheduled podiatrist visits
  - Medication purchasing & assistance
  - Quarterly & as-needed care evaluations
  - Home health nursing & therapies & Hospice
- Three home-style meals daily
- Planned off & on-site recreation
- Scheduled transportation
- Weekly housekeeping & daily tidy ups
- Weekly personal laundry

## APARTMENT FEATURES:

- Emergency alert system
- Individually controlled heat & AC
- Large picture windows
- Private bath with shower with safety bars and seat
- All utilities included
- Special soundproofing between apartments
- Cable TV, internet, and phone ready

**Community Fee:** \_\_\_\_\_

**Rent:** \_\_\_\_\_

**CareSteps:** \_\_\_\_\_

**Phone:** \_\_\_\_\_

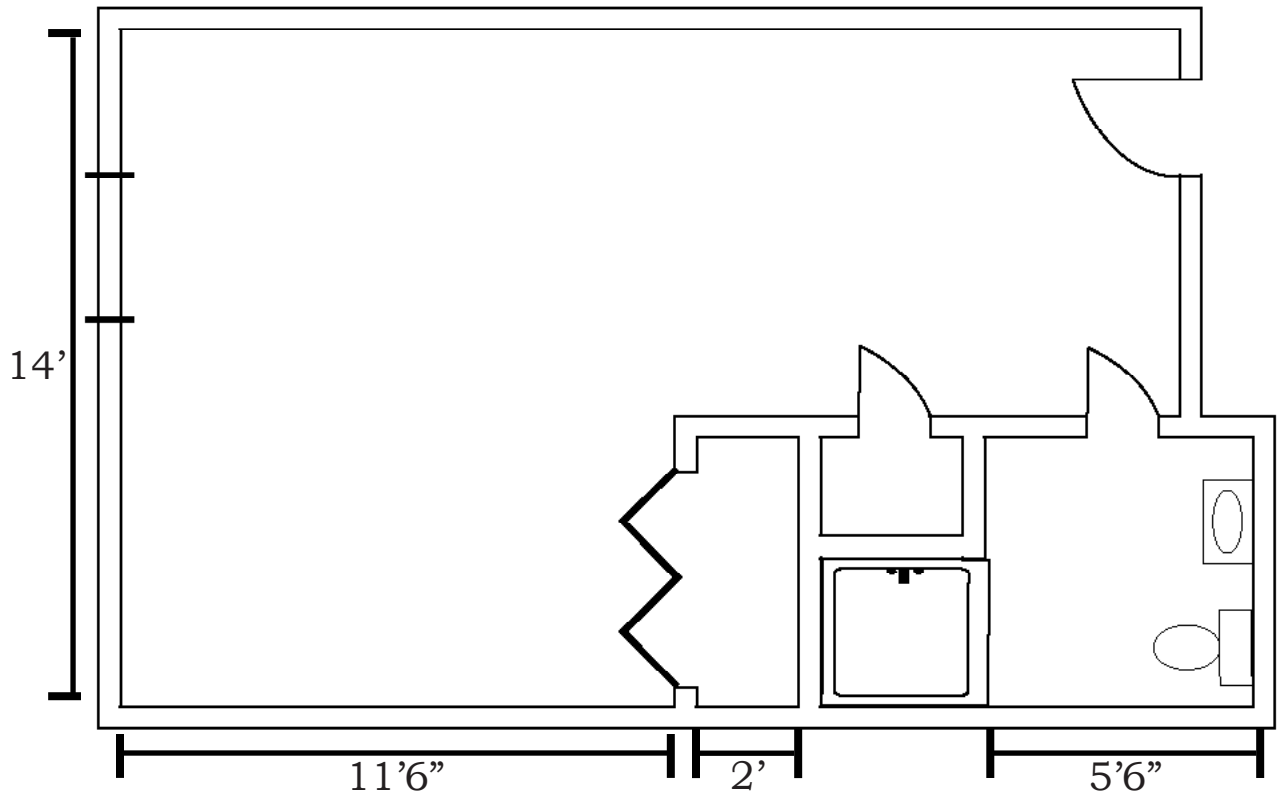
**Date:** \_\_\_\_\_ **Total:** \_\_\_\_\_

**Developed For:** \_\_\_\_\_



Apprx. 318 square feet

# Apartments:: 21,22



### SERVICES INCLUDE:

- 24-hour assistance
- *CareSteps* personal care plan
  - Ongoing Checks
  - Scheduled & unscheduled nurse practitioner
  - Scheduled podiatrist visits
  - Medication purchasing & assistance
  - Quarterly & as-needed care evaluations
  - Home health nursing & therapies & Hospice
- Three home-style meals daily
- Planned off & on-site recreation
- Scheduled transportation
- Weekly housekeeping & daily tidy ups
- Weekly personal laundry

### APARTMENT FEATURES:

- Emergency alert system
- Individually controlled heat & AC
- Large picture windows
- Private bath with shower with safety bars and seat
- All utilities included
- Special soundproofing between apartments
- Cable TV, internet, and phone ready

**Community Fee:** \_\_\_\_\_

**Rent:** \_\_\_\_\_

**CareSteps:** \_\_\_\_\_

**Phone:** \_\_\_\_\_

**Date:** \_\_\_\_\_ **Total:** \_\_\_\_\_

**Developed For:** \_\_\_\_\_

