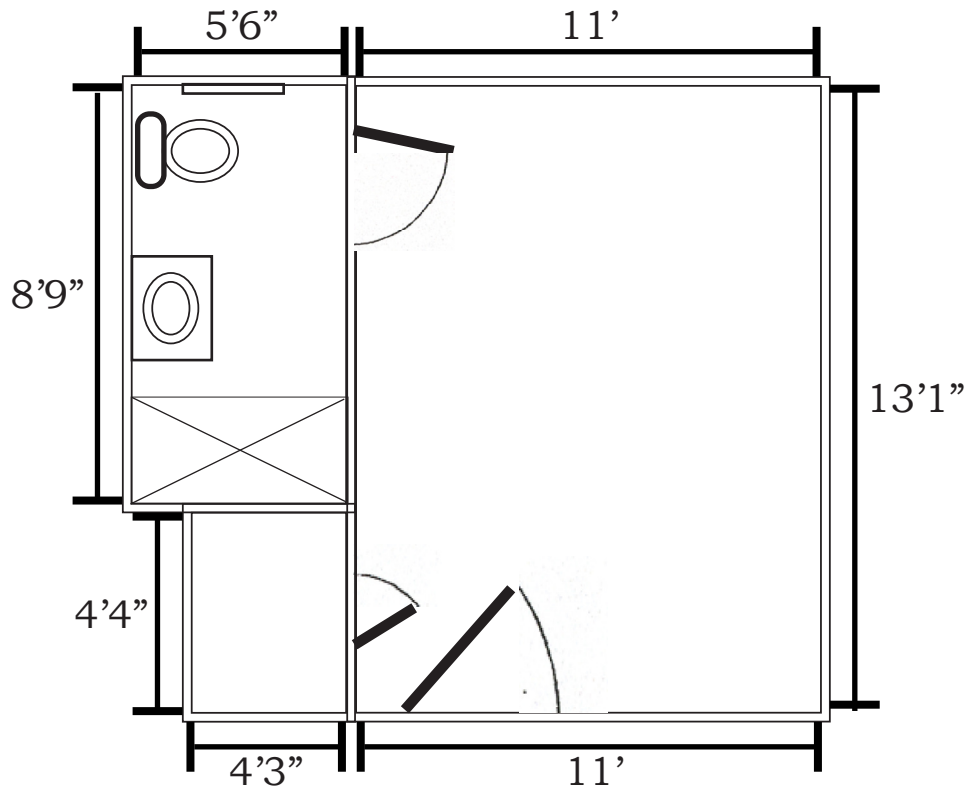


Apprx. 210 square feet

Magnolia Apartments: 1,4,12



SERVICES INCLUDE:

- 24-hour assistance
- *CareSteps* personal care plan
 - Ongoing Checks
 - Scheduled & unscheduled nurse practitioner
 - Scheduled podiatrist visits
 - Medication purchasing & assistance
 - Quarterly & as-needed care evaluations
 - Home health nursing & therapies & Hospice
- Three home-style meals daily
- Planned off & on-site recreation
- Scheduled transportation
- Weekly housekeeping & daily tidy ups
- Weekly personal laundry

APARTMENT FEATURES:

- Emergency alert system
- Individually controlled heat & AC
- Large picture windows
- Private bath with shower with safety bars and seat
- All utilities included
- Special soundproofing between apartments
- Cable TV, internet, and phone ready

Community Fee: _____

Rent: _____

***CareSteps*:** _____

Phone: _____

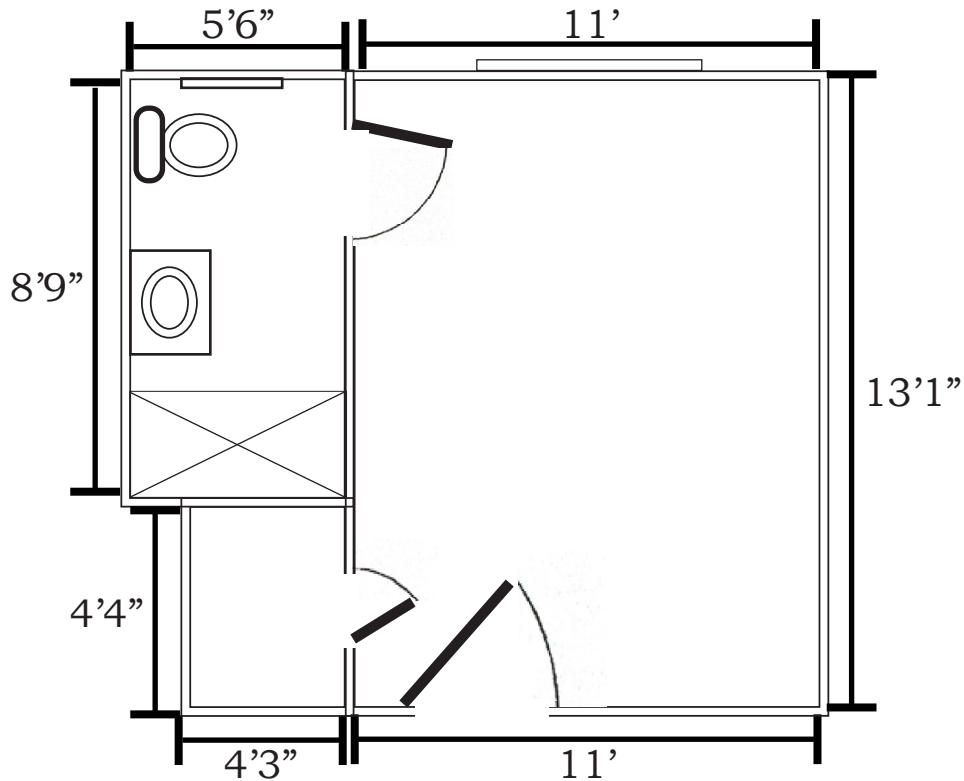
Date: _____ **Total:** _____

Developed For: _____



Apprx. 210 square feet

Magnolia Apartment: 5



SERVICES INCLUDE:

- 24-hour assistance
- *CareSteps* personal care plan
 - Ongoing Checks
 - Scheduled & unscheduled nurse practitioner
 - Scheduled podiatrist visits
 - Medication purchasing & assistance
 - Quarterly & as-needed care evaluations
 - Home health nursing & therapies & Hospice
- Three home-style meals daily
- Planned off & on-site recreation
- Scheduled transportation
- Weekly housekeeping & daily tidy ups
- Weekly personal laundry

APARTMENT FEATURES:

- Emergency alert system
- Individually controlled heat & AC
- Large picture windows
- Private bath with shower with safety bars and seat
- All utilities included
- Special soundproofing between apartments
- Cable TV, internet, and phone ready

Community Fee: _____

Rent: _____

***CareSteps*:** _____

Phone: _____

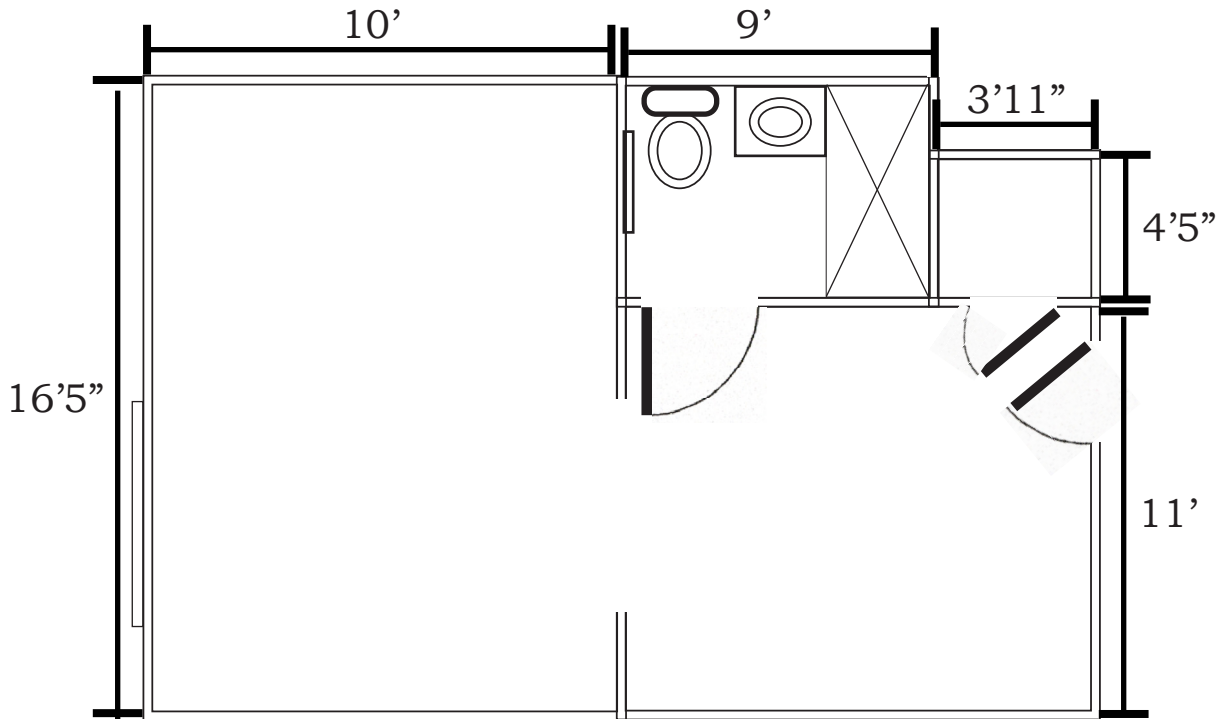
Date: _____ **Total:** _____

Developed For: _____



Apprx. 371 square feet

Magnolia Apartments: 6, 7, 10, 11



SERVICES INCLUDE:

- 24-hour assistance
- *CareSteps* personal care plan
 - Ongoing Checks
 - Scheduled & unscheduled nurse practitioner
 - Scheduled podiatrist visits
 - Medication purchasing & assistance
 - Quarterly & as-needed care evaluations
 - Home health nursing & therapies & Hospice
- Three home-style meals daily
- Planned off & on-site recreation
- Scheduled transportation
- Weekly housekeeping & daily tidy ups
- Weekly personal laundry

APARTMENT FEATURES:

- Emergency alert system
- Individually controlled heat & AC
- Large picture windows
- Private bath with shower with safety bars and seat
- All utilities included
- Special soundproofing between apartments
- Cable TV, internet, and phone ready

Community Fee: _____

Rent: _____

CareSteps: _____

Phone: _____

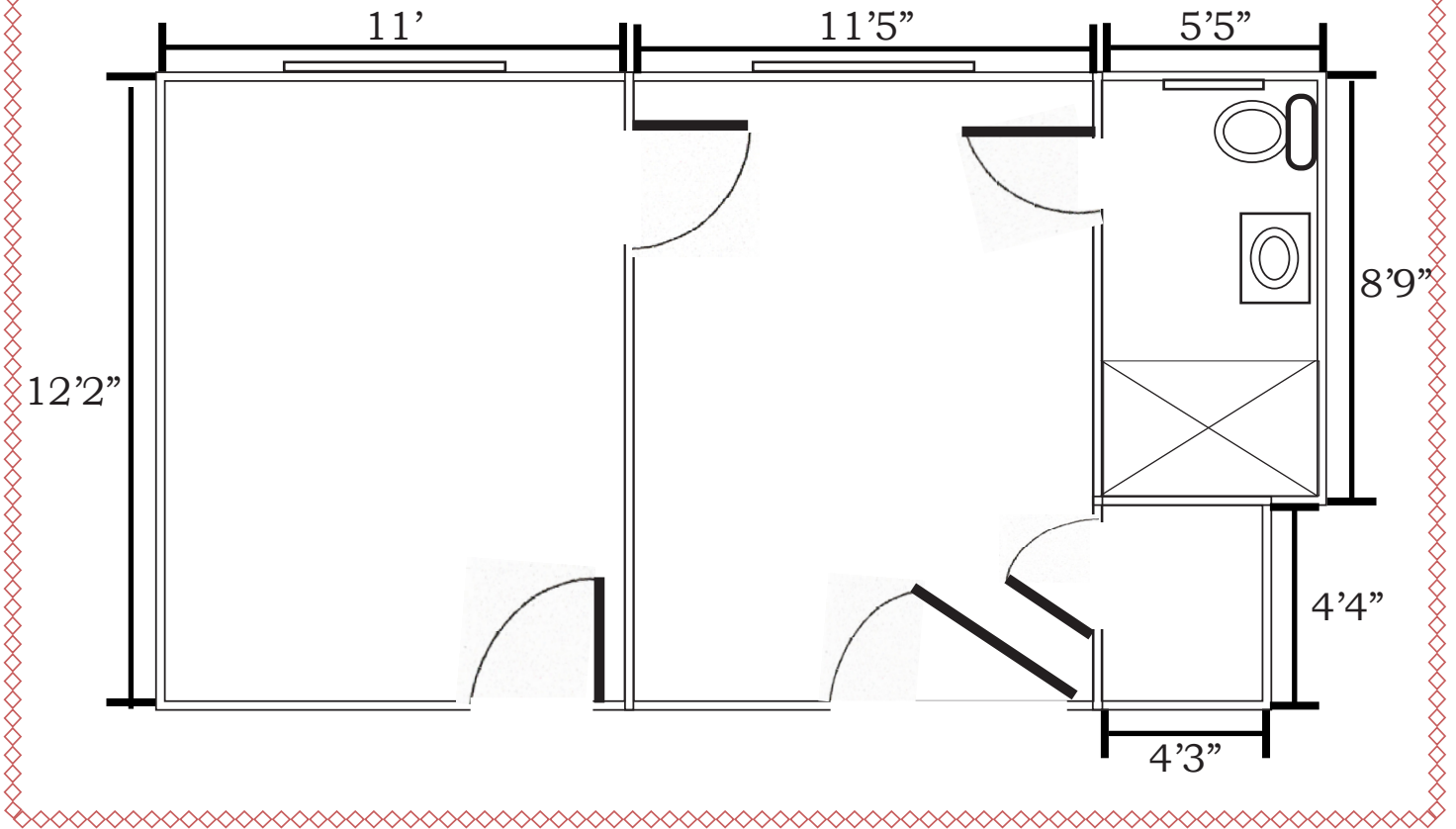
Date: _____ **Total:** _____

Developed For: _____



Apprx. 339 square feet

Magnolia Apartments: 2,3,14,15



SERVICES INCLUDE:

- 24-hour assistance
- *CareSteps* personal care plan
 - Ongoing Checks
 - Scheduled & unscheduled nurse practitioner
 - Scheduled podiatrist visits
 - Medication purchasing & assistance
 - Quarterly & as-needed care evaluations
 - Home health nursing & therapies & Hospice
- Three home-style meals daily
- Planned off & on-site recreation
- Scheduled transportation
- Weekly housekeeping & daily tidy ups
- Weekly personal laundry

APARTMENT FEATURES:

- Emergency alert system
- Individually controlled heat & AC
- Large picture windows
- Private bath with shower with safety bars and seat
- All utilities included
- Special soundproofing between apartments
- Cable TV, internet, and phone ready

Community Fee: _____

Rent: _____

***CareSteps*:** _____

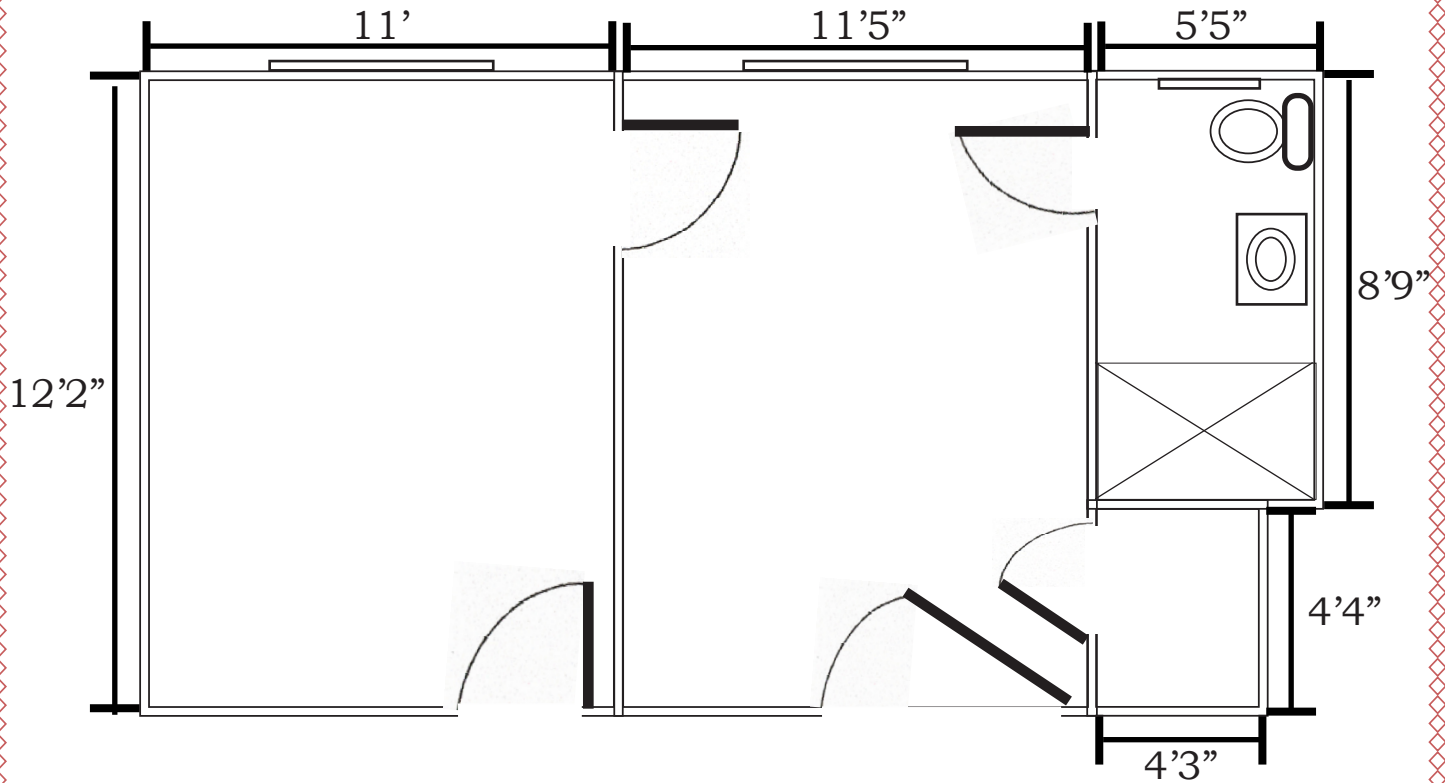
Phone: _____

Date: _____ **Total:** _____

Developed For: _____

Apprx. 339 square feet

Magnolia Apartments: 8,9



SERVICES INCLUDE:

- 24-hour assistance
- *CareSteps* personal care plan
 - Ongoing Checks
 - Scheduled & unscheduled nurse practitioner
 - Scheduled podiatrist visits
 - Medication purchasing & assistance
 - Quarterly & as-needed care evaluations
 - Home health nursing & therapies & Hospice
- Three home-style meals daily
- Planned off & on-site recreation
- Scheduled transportation
- Weekly housekeeping & daily tidy ups
- Weekly personal laundry

APARTMENT FEATURES:

- Emergency alert system
- Individually controlled heat & AC
- Large picture windows
- Private bath with shower with safety bars and seat
- All utilities included
- Special soundproofing between apartments
- Cable TV, internet, and phone ready

Community Fee: _____

Rent: _____

CareSteps: _____

Phone: _____

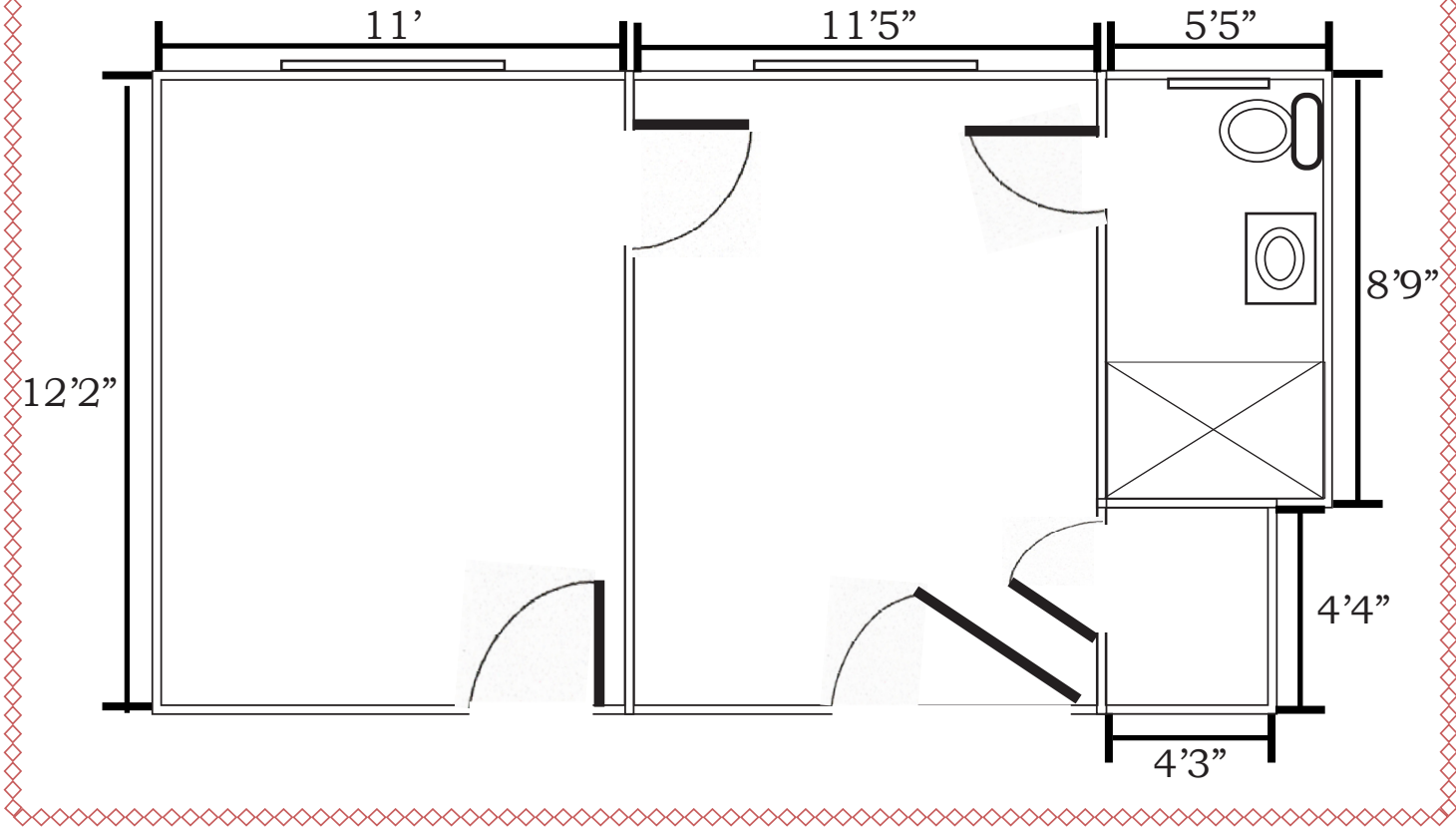
Date: _____ **Total:** _____

Developed For: _____



Apprx. 339 square feet

Magnolia Apartments: 13,16



SERVICES INCLUDE:

- 24-hour assistance
- *CareSteps* personal care plan
 - Ongoing Checks
 - Scheduled & unscheduled nurse practitioner
 - Scheduled podiatrist visits
 - Medication purchasing & assistance
 - Quarterly & as-needed care evaluations
 - Home health nursing & therapies & Hospice
- Three home-style meals daily
- Planned off & on-site recreation
- Scheduled transportation
- Weekly housekeeping & daily tidy ups
- Weekly personal laundry

APARTMENT FEATURES:

- Emergency alert system
- Individually controlled heat & AC
- Large picture windows
- Private bath with shower with safety bars and seat
- All utilities included
- Special soundproofing between apartments
- Cable TV, internet, and phone ready

Community Fee: _____

Rent: _____

CareSteps: _____

Phone: _____

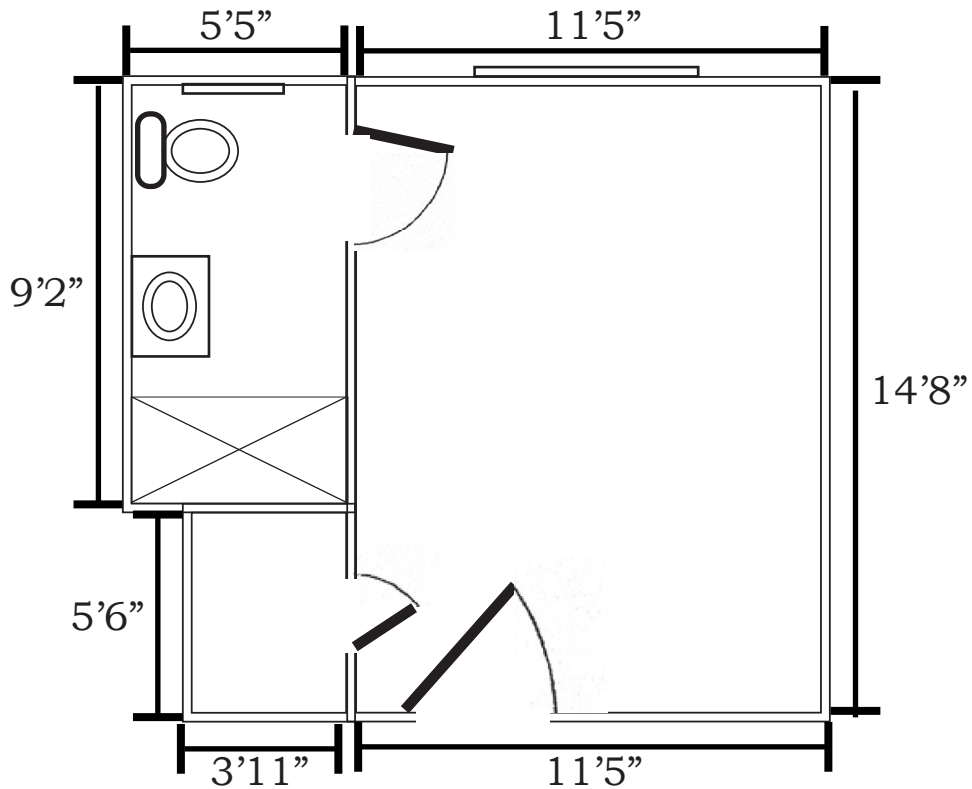
Date: _____ **Total:** _____

Developed For: _____



Apprx. 240 square feet

Oakleaf Apartments: 17,20,28



SERVICES INCLUDE:

- 24-hour assistance
- *CareSteps* personal care plan
 - Ongoing Checks
 - Scheduled & unscheduled nurse practitioner
 - Scheduled podiatrist visits
 - Medication purchasing & assistance
 - Quarterly & as-needed care evaluations
 - Home health nursing & therapies & Hospice
- Three home-style meals daily
- Planned off & on-site recreation
- Scheduled transportation
- Weekly housekeeping & daily tidy ups
- Weekly personal laundry

APARTMENT FEATURES:

- Emergency alert system
- Individually controlled heat & AC
- Large picture windows
- Private bath with shower with safety bars and seat
- All utilities included
- Special soundproofing between apartments
- Cable TV, internet, and phone ready

Community Fee: _____

Rent: _____

CareSteps: _____

Phone: _____

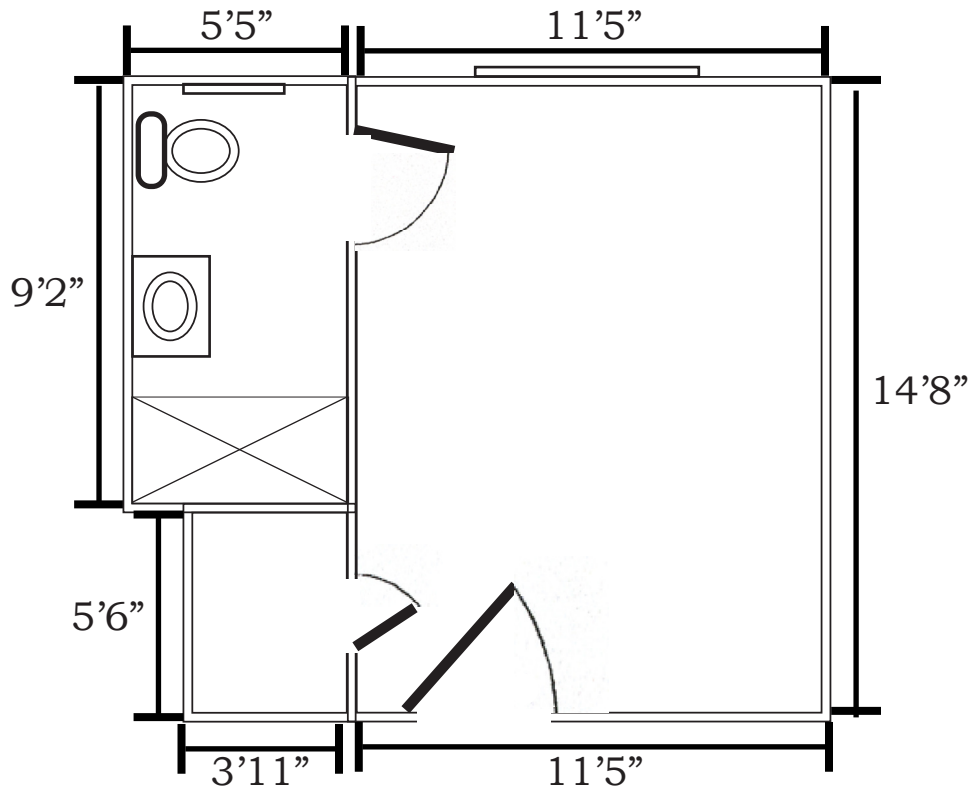
Date: _____ **Total:** _____

Developed For: _____



Apprx. 240 square feet

Oakleaf Apartment: 21



SERVICES INCLUDE:

- 24-hour assistance
- *CareSteps* personal care plan
 - Ongoing Checks
 - Scheduled & unscheduled nurse practitioner
 - Scheduled podiatrist visits
 - Medication purchasing & assistance
 - Quarterly & as-needed care evaluations
 - Home health nursing & therapies & Hospice
- Three home-style meals daily
- Planned off & on-site recreation
- Scheduled transportation
- Weekly housekeeping & daily tidy ups
- Weekly personal laundry

APARTMENT FEATURES:

- Emergency alert system
- Individually controlled heat & AC
- Large picture windows
- Private bath with shower with safety bars and seat
- All utilities included
- Special soundproofing between apartments
- Cable TV, internet, and phone ready

Community Fee: _____

Rent: _____

CareSteps: _____

Phone: _____

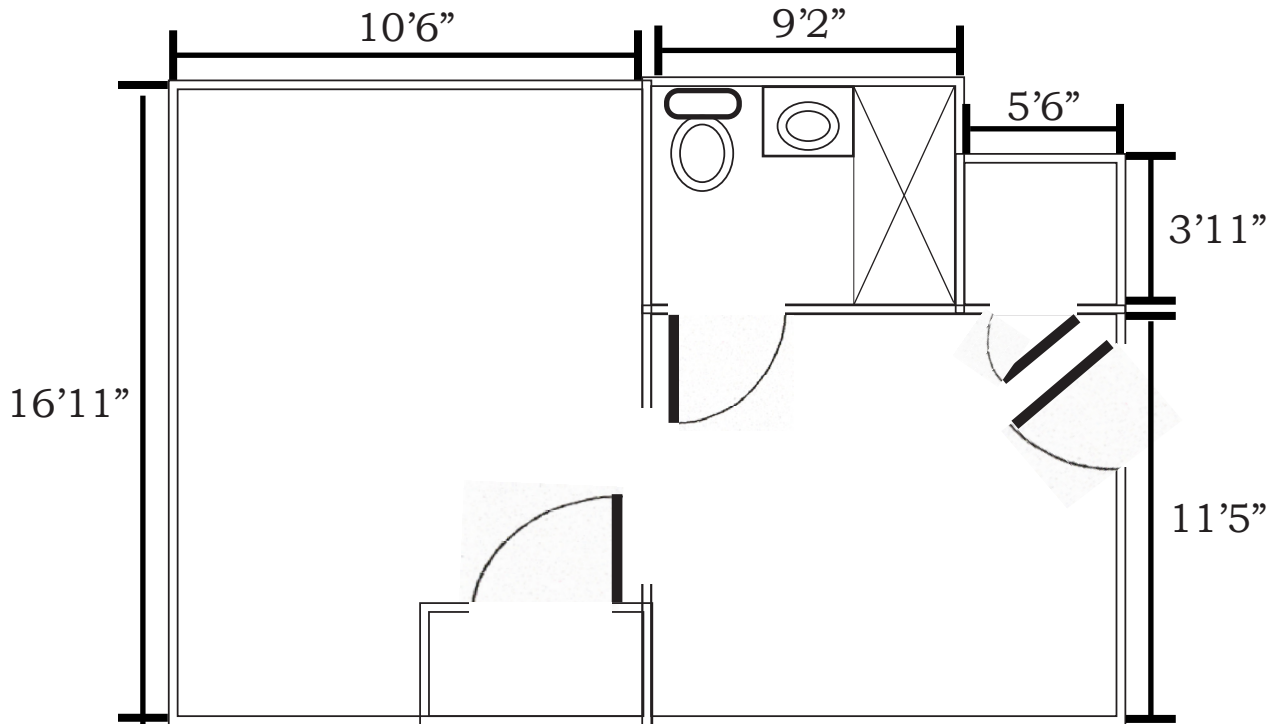
Date: _____ **Total:** _____

Developed For: _____



Apprx. 418 square feet

Oakleaf Apartments: 22,23,26,27



SERVICES INCLUDE:

- 24-hour assistance
- *CareSteps* personal care plan
 - Ongoing Checks
 - Scheduled & unscheduled nurse practitioner
 - Scheduled podiatrist visits
 - Medication purchasing & assistance
 - Quarterly & as-needed care evaluations
 - Home health nursing & therapies & Hospice
- Three home-style meals daily
- Planned off & on-site recreation
- Scheduled transportation
- Weekly housekeeping & daily tidy ups
- Weekly personal laundry

APARTMENT FEATURES:

- Emergency alert system
- Individually controlled heat & AC
- Large picture windows
- Private bath with shower with safety bars and seat
- All utilities included
- Special soundproofing between apartments
- Cable TV, internet, and phone ready

Community Fee: _____

Rent: _____

CareSteps: _____

Phone: _____

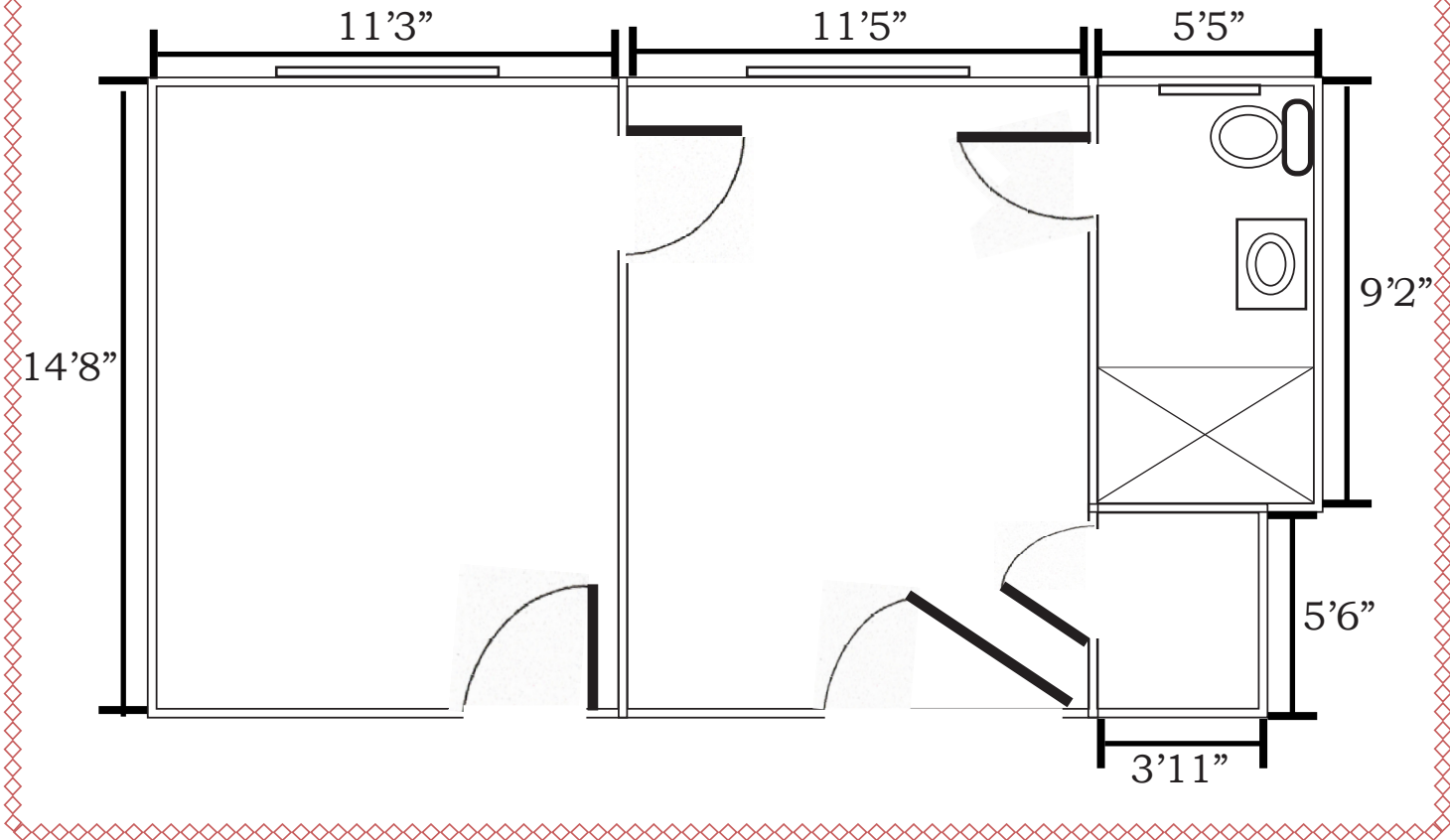
Date: _____ **Total:** _____

Developed For: _____



Apprx. 406 square feet

Oakleaf Apartments: 18,19,30,31



SERVICES INCLUDE:

- 24-hour assistance
- *CareSteps* personal care plan
 - Ongoing Checks
 - Scheduled & unscheduled nurse practitioner
 - Scheduled podiatrist visits
 - Medication purchasing & assistance
 - Quarterly & as-needed care evaluations
 - Home health nursing & therapies & Hospice
- Three home-style meals daily
- Planned off & on-site recreation
- Scheduled transportation
- Weekly housekeeping & daily tidy ups
- Weekly personal laundry

APARTMENT FEATURES:

- Emergency alert system
- Individually controlled heat & AC
- Large picture windows
- Private bath with shower with safety bars and seat
- All utilities included
- Special soundproofing between apartments
- Cable TV, internet, and phone ready

Community Fee: _____

Rent: _____

CareSteps: _____

Phone: _____

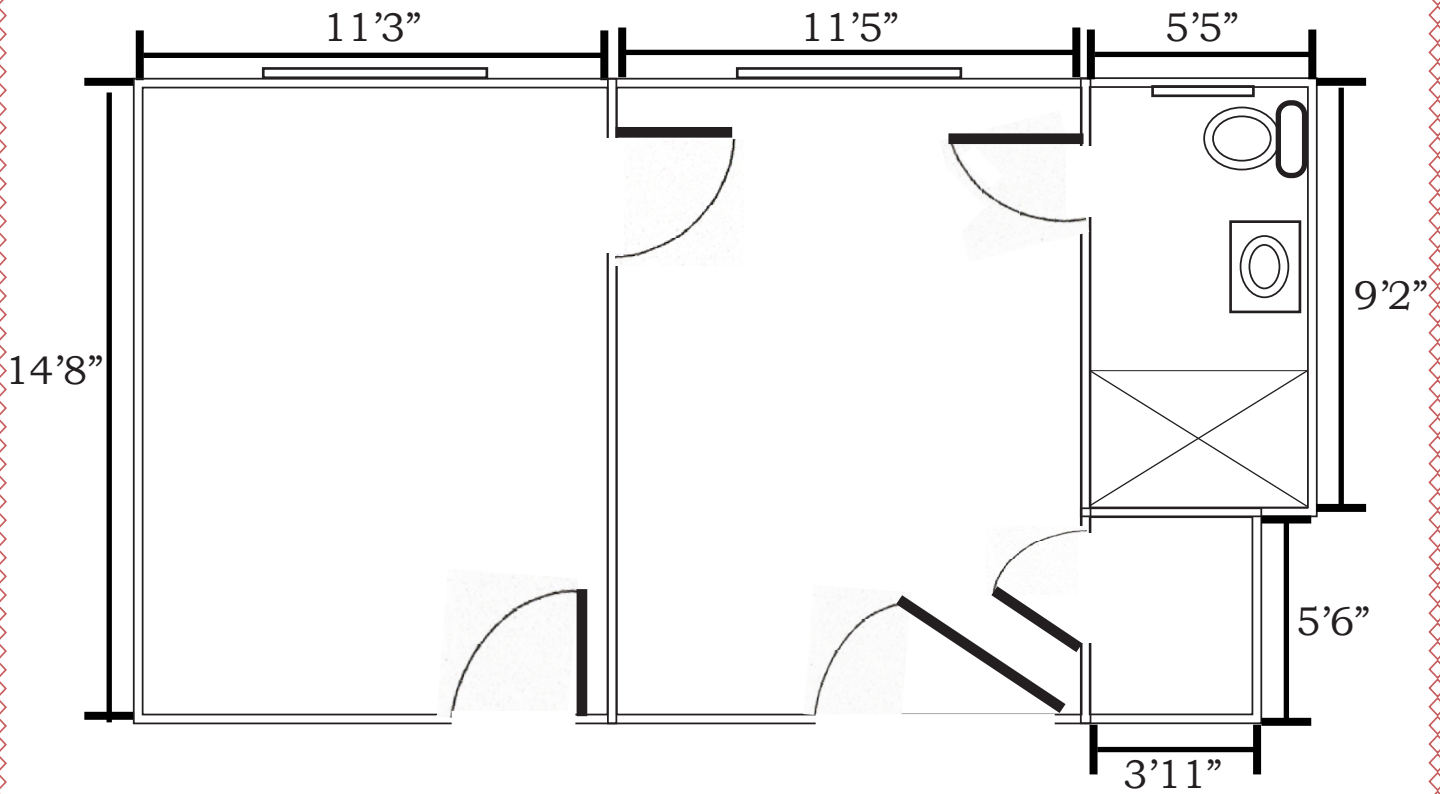
Date: _____ **Total:** _____

Developed For: _____



Apprx. 406 square feet

Oakleaf Apartments: 24,25



SERVICES INCLUDE:

- 24-hour assistance
- *CareSteps* personal care plan
 - Ongoing Checks
 - Scheduled & unscheduled nurse practitioner
 - Scheduled podiatrist visits
 - Medication purchasing & assistance
 - Quarterly & as-needed care evaluations
 - Home health nursing & therapies & Hospice
- Three home-style meals daily
- Planned off & on-site recreation
- Scheduled transportation
- Weekly housekeeping & daily tidy ups
- Weekly personal laundry

APARTMENT FEATURES:

- Emergency alert system
- Individually controlled heat & AC
- Large picture windows
- Private bath with shower with safety bars and seat
- All utilities included
- Special soundproofing between apartments
- Cable TV, internet, and phone ready

Community Fee: _____

Rent: _____

CareSteps: _____

Phone: _____

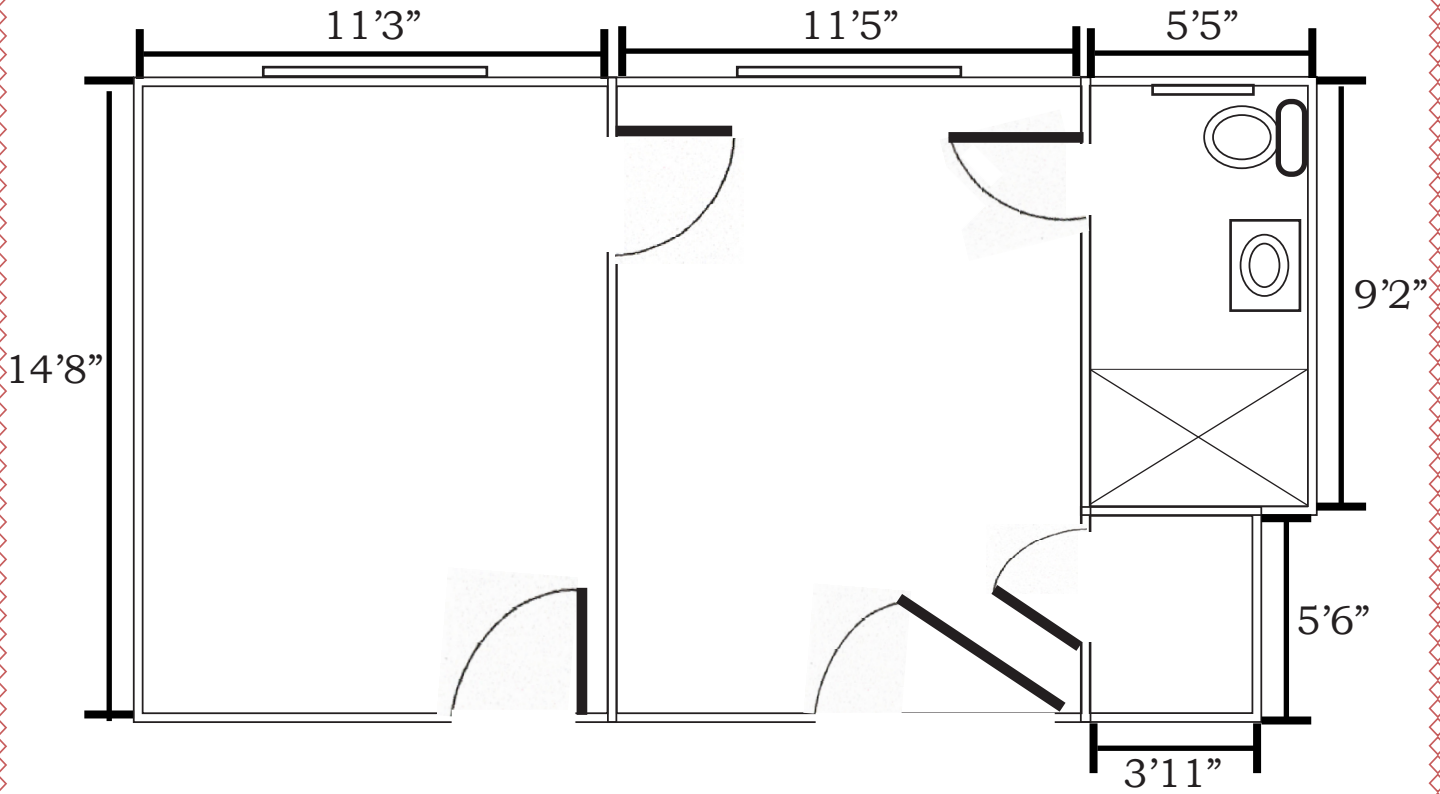
Date: _____ **Total:** _____

Developed For: _____



Apprx. 406 square feet

Oakleaf Apartments: 29,32



SERVICES INCLUDE:

- 24-hour assistance
- *CareSteps* personal care plan
 - Ongoing Checks
 - Scheduled & unscheduled nurse practitioner
 - Scheduled podiatrist visits
 - Medication purchasing & assistance
 - Quarterly & as-needed care evaluations
 - Home health nursing & therapies & Hospice
- Three home-style meals daily
- Planned off & on-site recreation
- Scheduled transportation
- Weekly housekeeping & daily tidy ups
- Weekly personal laundry

APARTMENT FEATURES:

- Emergency alert system
- Individually controlled heat & AC
- Large picture windows
- Private bath with shower with safety bars and seat
- All utilities included
- Special soundproofing between apartments
- Cable TV, internet, and phone ready

Community Fee: _____

Rent: _____

CareSteps: _____

Phone: _____

Date: _____ **Total:** _____

Developed For: _____

