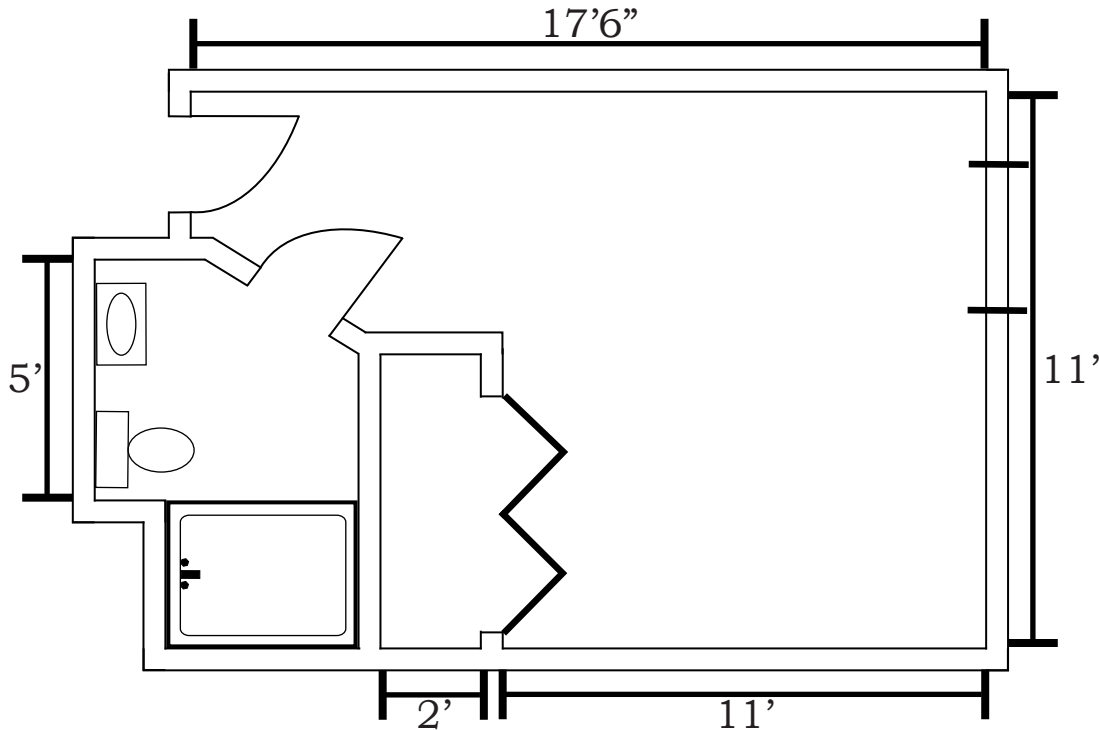


Bed-Sitting Room

Apprx. 222 square feet



SERVICES INCLUDE:

- 24-hour scheduled and unscheduled assistance
- CareSteps personal care plan
- Three homestyle meals daily
- Planned off and on-site recreation
- Scheduled transportation
- Weekly thorough housekeeping and daily tidy up
- Weekly personal laundry

BED-SITTING ROOM FEATURES:

- Emergency alert system
- Cable TV and telephone ready
- Private bath with shower
- All utilities included

SECURITY DEPOSIT: _____

MONTHLY SERVICE FEE: _____

DEVELOPED FOR: _____

DATE: _____



4000 Greenwood Drive
Hoover, AL 35216
205-909-6450

cottageassistedliving.com

