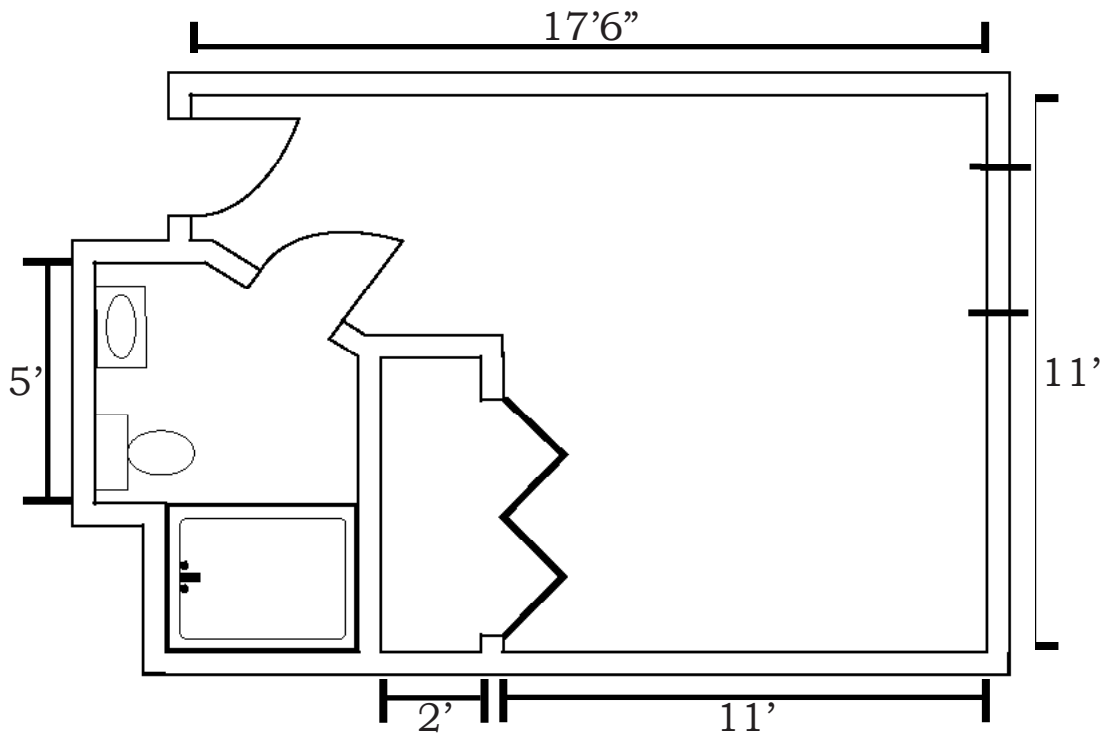


# Apartment

Apprx. 222 square feet



## SERVICES INCLUDE:

- 24-hour assistance
- **CareSteps** personal care plan
  - 2-hour checks
  - Scheduled & unscheduled nurse practitioner
  - Scheduled podiatrist visits
  - Medication purchasing & assistance
  - Quarterly & as-needed care evaluations
  - Home health nursing & therapies & Hospice
- Three home-style meals daily
- Planned off & on-site recreation
- Scheduled transportation
- Weekly housekeeping & daily tidy ups
- Weekly personal laundry

## APARTMENT FEATURES:

- Emergency alert system
- Large picture windows
- Private bath with shower with safety bars and seat
- All utilities included
- Special soundproofing between apartments
- Cable TV, internet, and phone ready

**Community Fee:** \_\_\_\_\_

**Rent:** \_\_\_\_\_

**CareSteps:** \_\_\_\_\_

**Phone:** \_\_\_\_\_

**Date:** \_\_\_\_\_ **Total:** \_\_\_\_\_

**Developed For:** \_\_\_\_\_

