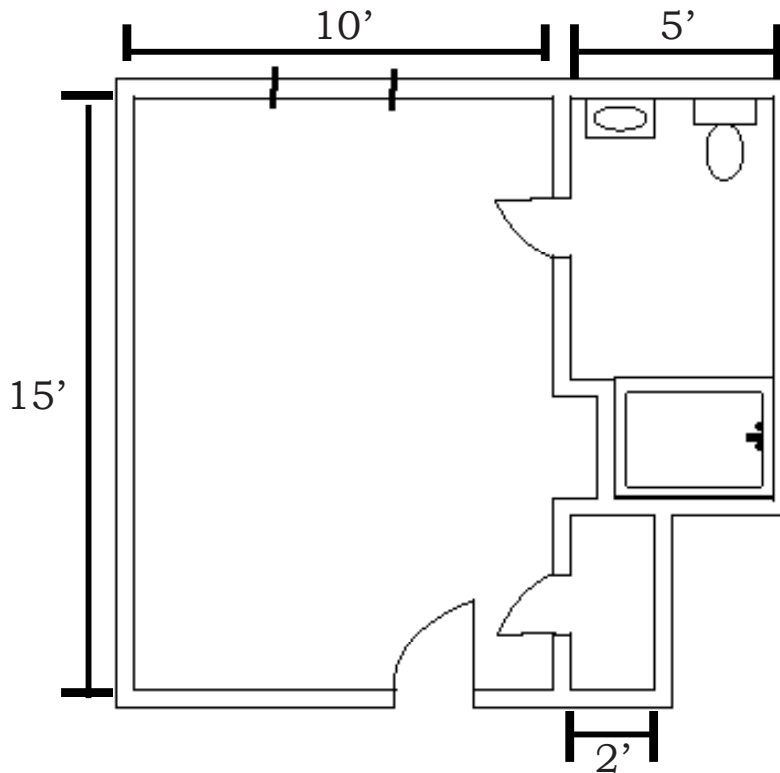


Apprx. 221 square feet

## Oakleaf & Magnolia Apartments: 116,208



### SERVICES INCLUDE:

- 24-hour assistance
- *CareSteps* personal care plan
  - Ongoing Checks
  - Scheduled & unscheduled nurse practitioner
  - Scheduled podiatrist visits
  - Medication purchasing & assistance
  - Quarterly & as-needed care evaluations
  - Home health nursing & therapies & Hospice
- Three home-style meals daily
- Planned off & on-site recreation
- Scheduled transportation
- Weekly housekeeping & daily tidy ups
- Weekly personal laundry

### APARTMENT FEATURES:

- Emergency alert system
- Individually controlled heat & AC
- Large picture windows
- Private bath with shower with safety bars and seat
- All utilities included
- Special soundproofing between apartments
- Cable TV, internet, and phone ready

**Community Fee:** \_\_\_\_\_

**Rent:** \_\_\_\_\_

**CareSteps:** \_\_\_\_\_

**Phone:** \_\_\_\_\_

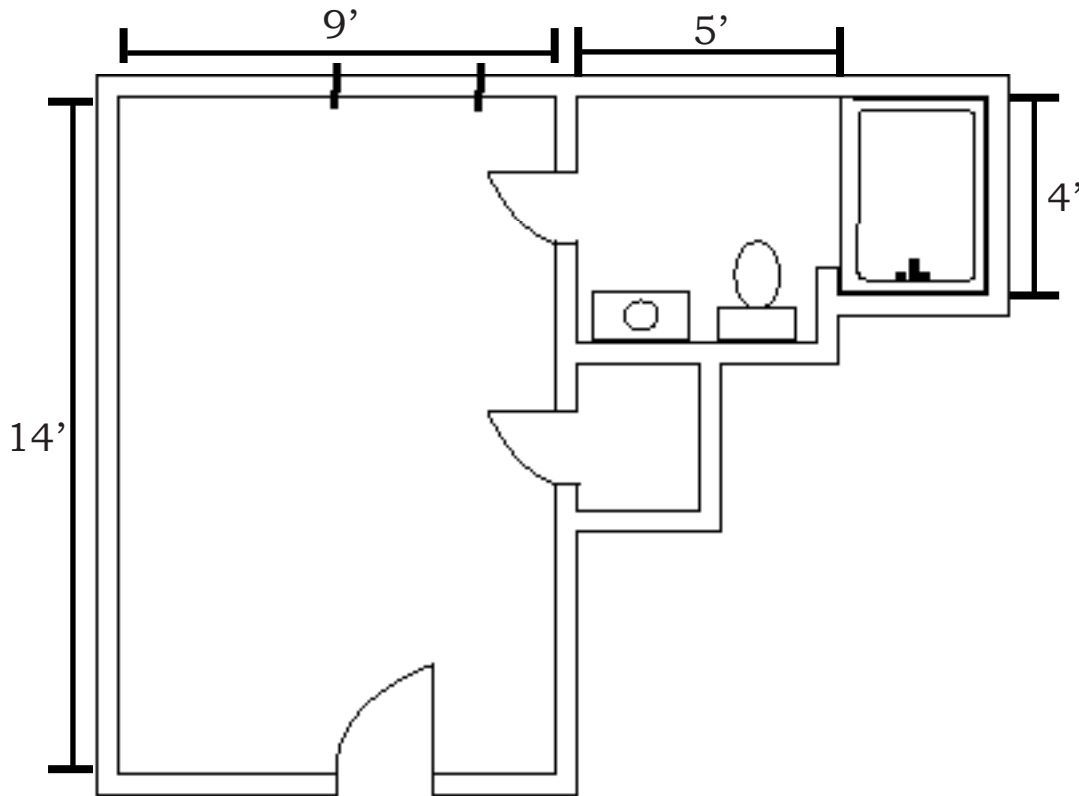
**Date:** \_\_\_\_\_ **Total:** \_\_\_\_\_

**Developed For:** \_\_\_\_\_



Apprx. 200 square feet

## Oakleaf & Magnolia Apartments: 101, 105, 203, 207



### SERVICES INCLUDE:

- 24-hour assistance
- *CareSteps* personal care plan
  - Ongoing Checks
  - Scheduled & unscheduled nurse practitioner
  - Scheduled podiatrist visits
  - Medication purchasing & assistance
  - Quarterly & as-needed care evaluations
  - Home health nursing & therapies & Hospice
- Three home-style meals daily
- Planned off & on-site recreation
- Scheduled transportation
- Weekly housekeeping & daily tidy ups
- Weekly personal laundry

### APARTMENT FEATURES:

- Emergency alert system
- Individually controlled heat & AC
- Large picture windows
- Private bath with shower with safety bars and seat
- All utilities included
- Special soundproofing between apartments
- Cable TV, internet, and phone ready

**Community Fee:** \_\_\_\_\_

**Rent:** \_\_\_\_\_

**CareSteps:** \_\_\_\_\_

**Phone:** \_\_\_\_\_

**Date:** \_\_\_\_\_ **Total:** \_\_\_\_\_

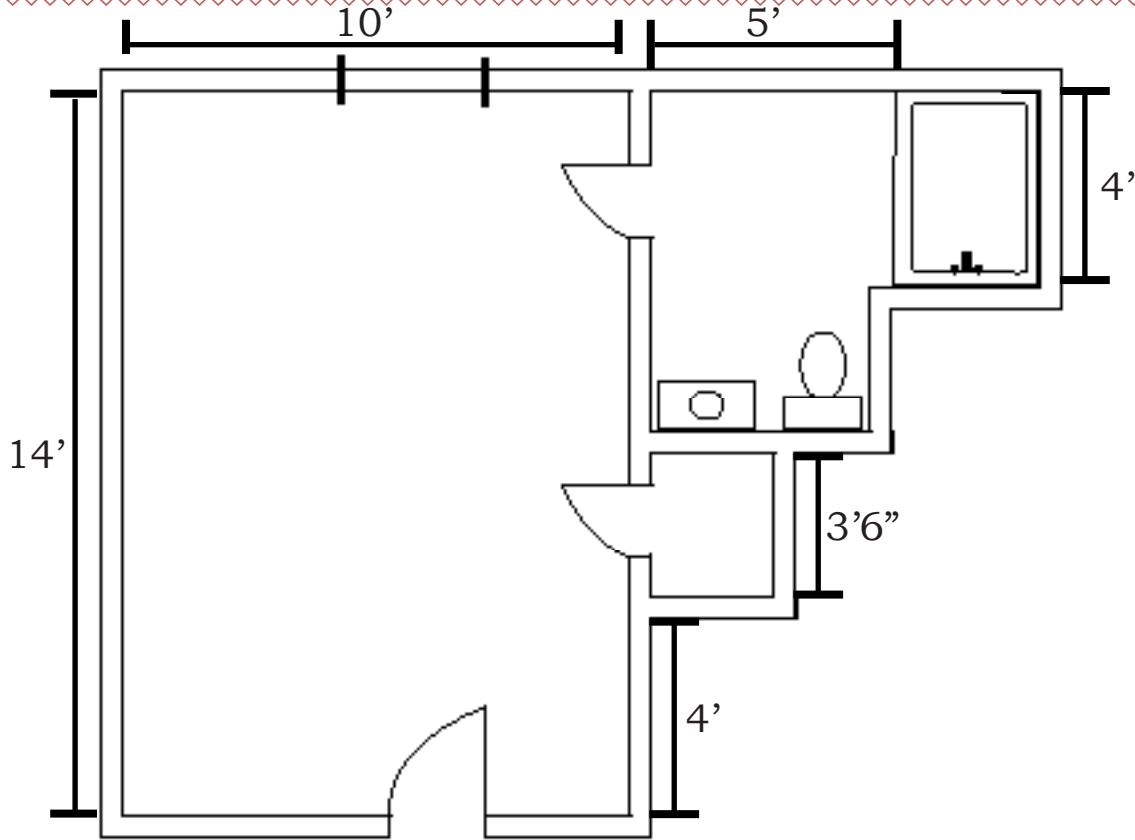
**Developed For:** \_\_\_\_\_



Apprx. 200 square feet

**Oakleaf & Magnolia Apartments:**

102, 104, 113, 114, 115, 204, 206, 209, 210, 211



**SERVICES INCLUDE:**

- 24-hour assistance
- *CareSteps* personal care plan
  - Ongoing Checks
  - Scheduled & unscheduled nurse practitioner
  - Scheduled podiatrist visits
  - Medication purchasing & assistance
  - Quarterly & as-needed care evaluations
  - Home health nursing & therapies & Hospice
- Three home-style meals daily
- Planned off & on-site recreation
- Scheduled transportation
- Weekly housekeeping & daily tidy ups
- Weekly personal laundry

**APARTMENT FEATURES:**

- Emergency alert system
- Individually controlled heat & AC
- Large picture windows
- Private bath with shower with safety bars and seat
- All utilities included
- Special soundproofing between apartments
- Cable TV, internet, and phone ready

**Community Fee:** \_\_\_\_\_

**Rent:** \_\_\_\_\_

**CareSteps:** \_\_\_\_\_

**Phone:** \_\_\_\_\_

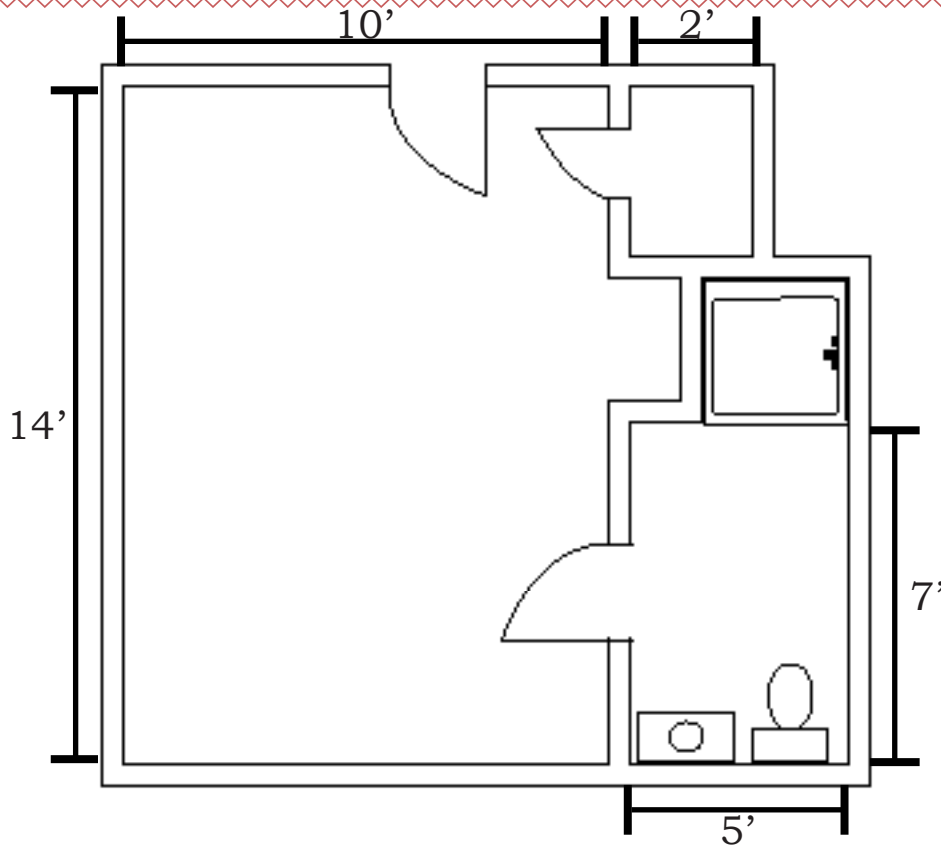
**Date:** \_\_\_\_\_ **Total:** \_\_\_\_\_

**Developed For:** \_\_\_\_\_



Apprx. 200 square feet

## Oakleaf Apartments: 103, 205



### SERVICES INCLUDE:

- 24-hour assistance
- *CareSteps* personal care plan
  - Ongoing Checks
  - Scheduled & unscheduled nurse practitioner
  - Scheduled podiatrist visits
  - Medication purchasing & assistance
  - Quarterly & as-needed care evaluations
  - Home health nursing & therapies & Hospice
- Three home-style meals daily
- Planned off & on-site recreation
- Scheduled transportation
- Weekly housekeeping & daily tidy ups
- Weekly personal laundry

### APARTMENT FEATURES:

- Emergency alert system
- Individually controlled heat & AC
- Large picture windows
- Private bath with shower with safety bars and seat
- All utilities included
- Special soundproofing between apartments
- Cable TV, internet, and phone ready

**Community Fee:** \_\_\_\_\_

**Rent:** \_\_\_\_\_

**CareSteps:** \_\_\_\_\_

**Phone:** \_\_\_\_\_

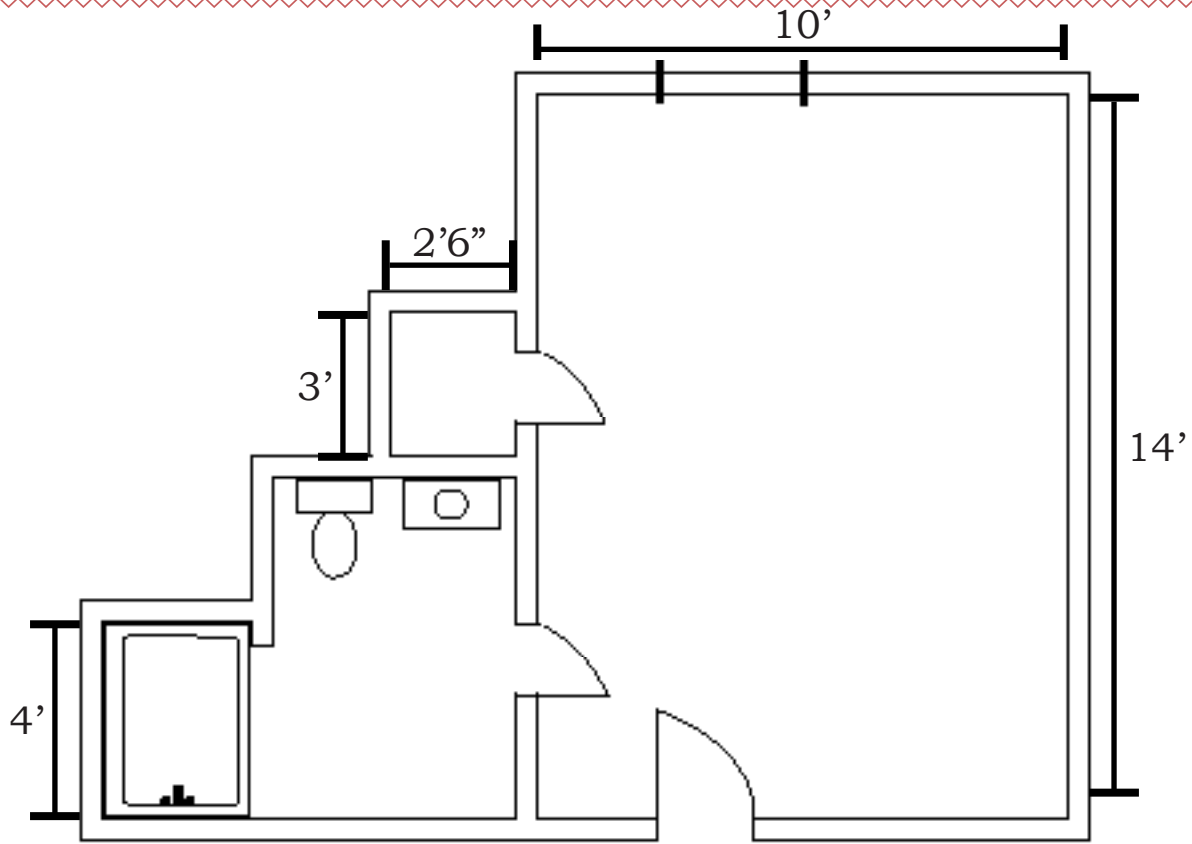
**Date:** \_\_\_\_\_ **Total:** \_\_\_\_\_

**Developed For:** \_\_\_\_\_



Apprx. 220 square feet

### Oakleaf & Magnolia Apartments: 106, 111, 112, 202, 212, 213



#### SERVICES INCLUDE:

- 24-hour assistance
- *CareSteps* personal care plan
  - Ongoing Checks
  - Scheduled & unscheduled nurse practitioner
  - Scheduled podiatrist visits
  - Medication purchasing & assistance
  - Quarterly & as-needed care evaluations
  - Home health nursing & therapies & Hospice
- Three home-style meals daily
- Planned off & on-site recreation
- Scheduled transportation
- Weekly housekeeping & daily tidy ups
- Weekly personal laundry

#### APARTMENT FEATURES:

- Emergency alert system
- Individually controlled heat & AC
- Large picture windows
- Private bath with shower with safety bars and seat
- All utilities included
- Special soundproofing between apartments
- Cable TV, internet, and phone ready

**Community Fee:** \_\_\_\_\_

**Rent:** \_\_\_\_\_

**CareSteps:** \_\_\_\_\_

**Phone:** \_\_\_\_\_

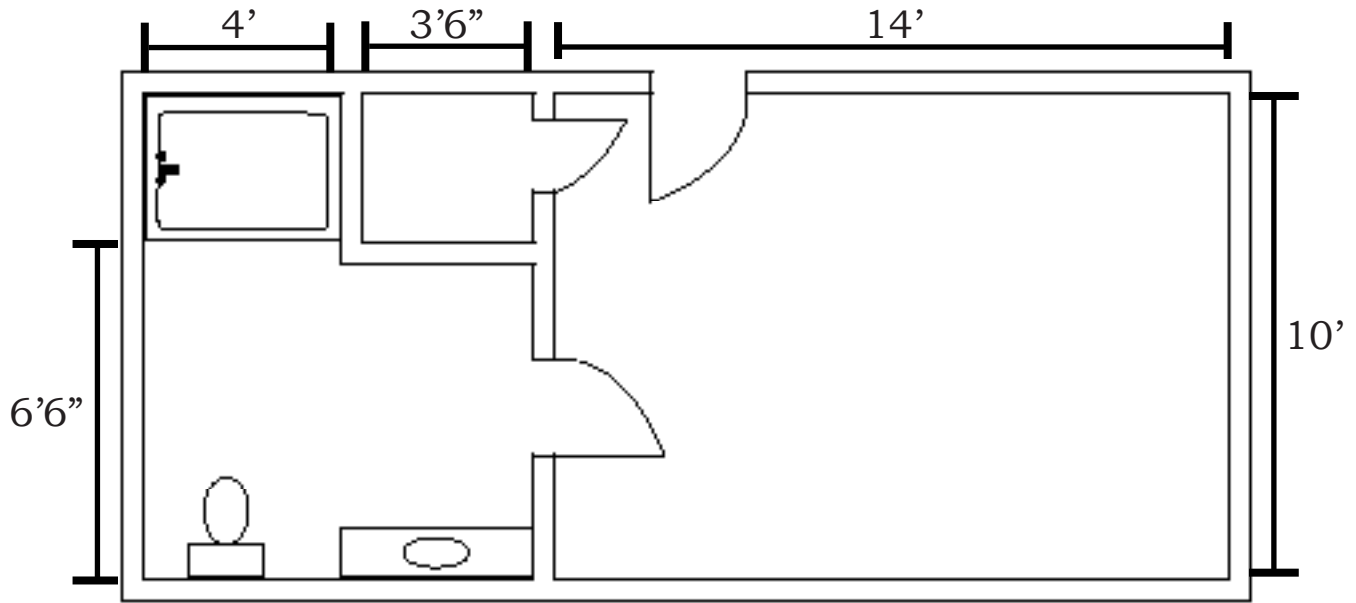
**Date:** \_\_\_\_\_ **Total:** \_\_\_\_\_

**Developed For:** \_\_\_\_\_



Apprx. 220 square feet

# Oakleaf Apartments: 215,216



## SERVICES INCLUDE:

- 24-hour assistance
- *CareSteps* personal care plan
  - Ongoing Checks
  - Scheduled & unscheduled nurse practitioner
  - Scheduled podiatrist visits
  - Medication purchasing & assistance
  - Quarterly & as-needed care evaluations
  - Home health nursing & therapies & Hospice
- Three home-style meals daily
- Planned off & on-site recreation
- Scheduled transportation
- Weekly housekeeping & daily tidy ups
- Weekly personal laundry

## APARTMENT FEATURES:

- Emergency alert system
- Individually controlled heat & AC
- Large picture windows
- Private bath with shower with safety bars and seat
- All utilities included
- Special soundproofing between apartments
- Cable TV, internet, and phone ready

**Community Fee:** \_\_\_\_\_

**Rent:** \_\_\_\_\_

***CareSteps*:** \_\_\_\_\_

**Phone:** \_\_\_\_\_

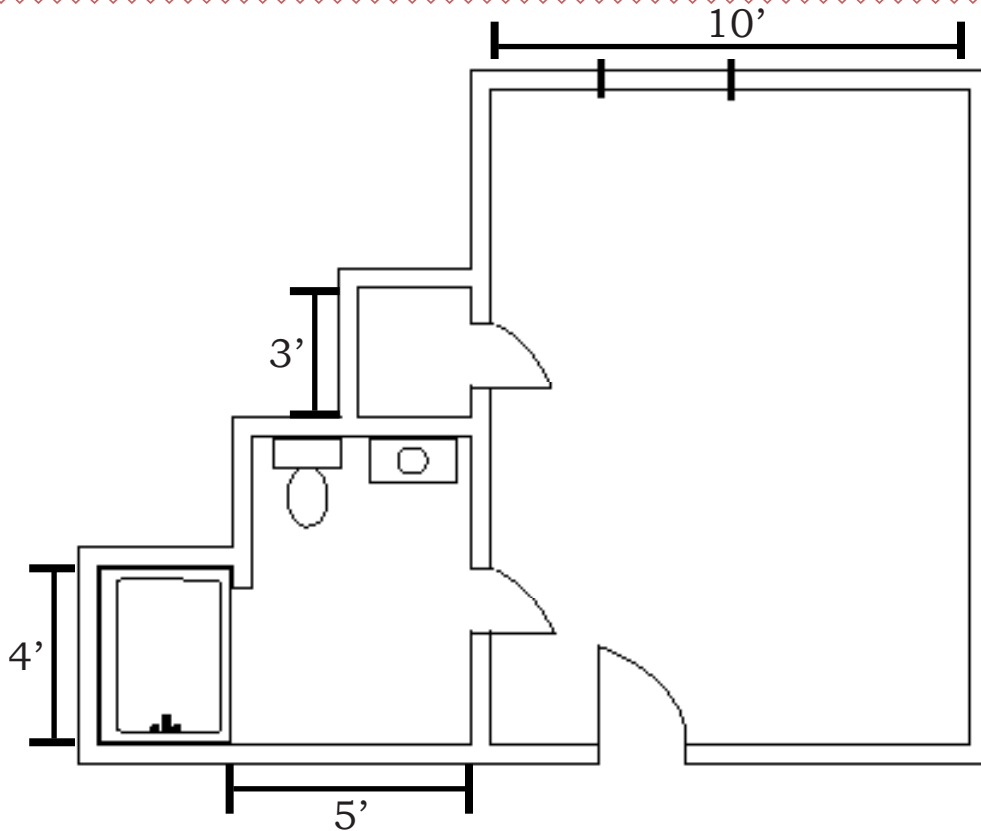
**Date:** \_\_\_\_\_ **Total:** \_\_\_\_\_

**Developed For:** \_\_\_\_\_



Apprx. 220 square feet

**Oakleaf & Magnolia Apartments:**  
**107,108,109,110,201,214**



**SERVICES INCLUDE:**

- 24-hour assistance
- *CareSteps* personal care plan
  - Ongoing Checks
  - Scheduled & unscheduled nurse practitioner
  - Scheduled podiatrist visits
  - Medication purchasing & assistance
  - Quarterly & as-needed care evaluations
  - Home health nursing & therapies & Hospice
- Three home-style meals daily
- Planned off & on-site recreation
- Scheduled transportation
- Weekly housekeeping & daily tidy ups
- Weekly personal laundry

**APARTMENT FEATURES:**

- Emergency alert system
- Individually controlled heat & AC
- Large picture windows
- Private bath with shower with safety bars and seat
- All utilities included
- Special soundproofing between apartments
- Cable TV, internet, and phone ready

**Community Fee:** \_\_\_\_\_

**Rent:** \_\_\_\_\_

***CareSteps*:** \_\_\_\_\_

**Phone:** \_\_\_\_\_

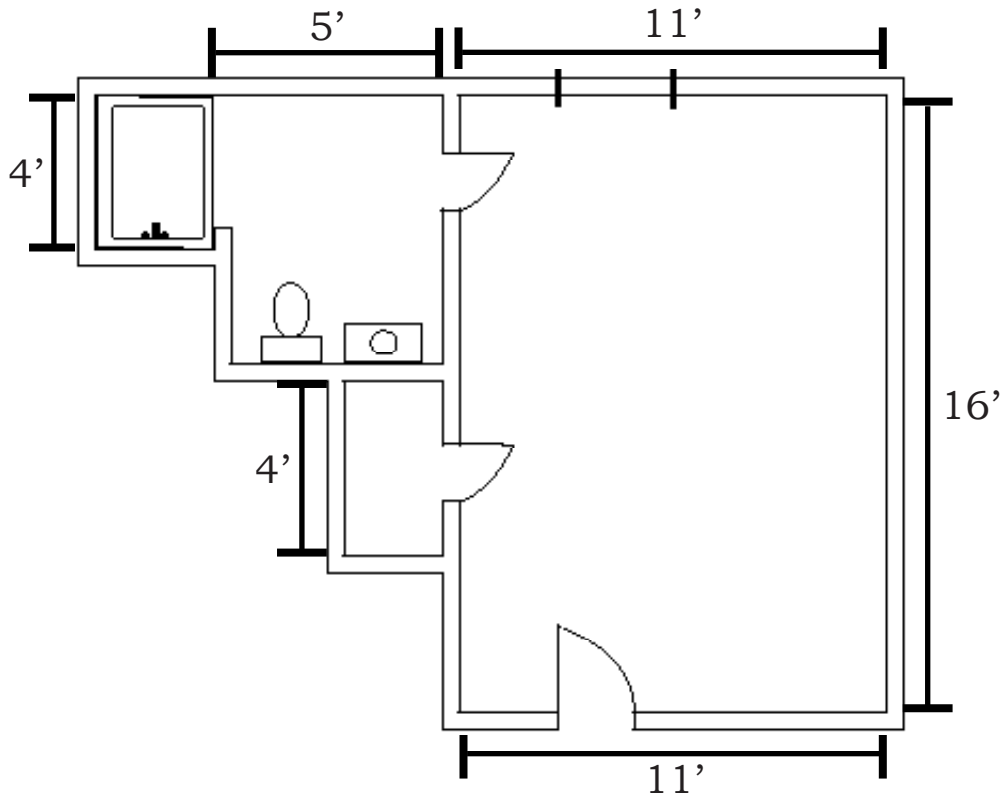
**Date:** \_\_\_\_\_ **Total:** \_\_\_\_\_

**Developed For:** \_\_\_\_\_



Apprx. 228 square feet

## Ivy Apartments: 302,303,313



### SERVICES INCLUDE:

- 24-hour assistance
- *CareSteps* personal care plan
  - Ongoing Checks
  - Scheduled & unscheduled nurse practitioner
  - Scheduled podiatrist visits
  - Medication purchasing & assistance
  - Quarterly & as-needed care evaluations
  - Home health nursing & therapies & Hospice
- Three home-style meals daily
- Planned off & on-site recreation
- Scheduled transportation
- Weekly housekeeping & daily tidy ups
- Weekly personal laundry

### APARTMENT FEATURES:

- Emergency alert system
- Individually controlled heat & AC
- Large picture windows
- Private bath with shower with safety bars and seat
- All utilities included
- Special soundproofing between apartments
- Cable TV, internet, and phone ready

**Community Fee:** \_\_\_\_\_

**Rent:** \_\_\_\_\_

***CareSteps*:** \_\_\_\_\_

**Phone:** \_\_\_\_\_

**Date:** \_\_\_\_\_ **Total:** \_\_\_\_\_

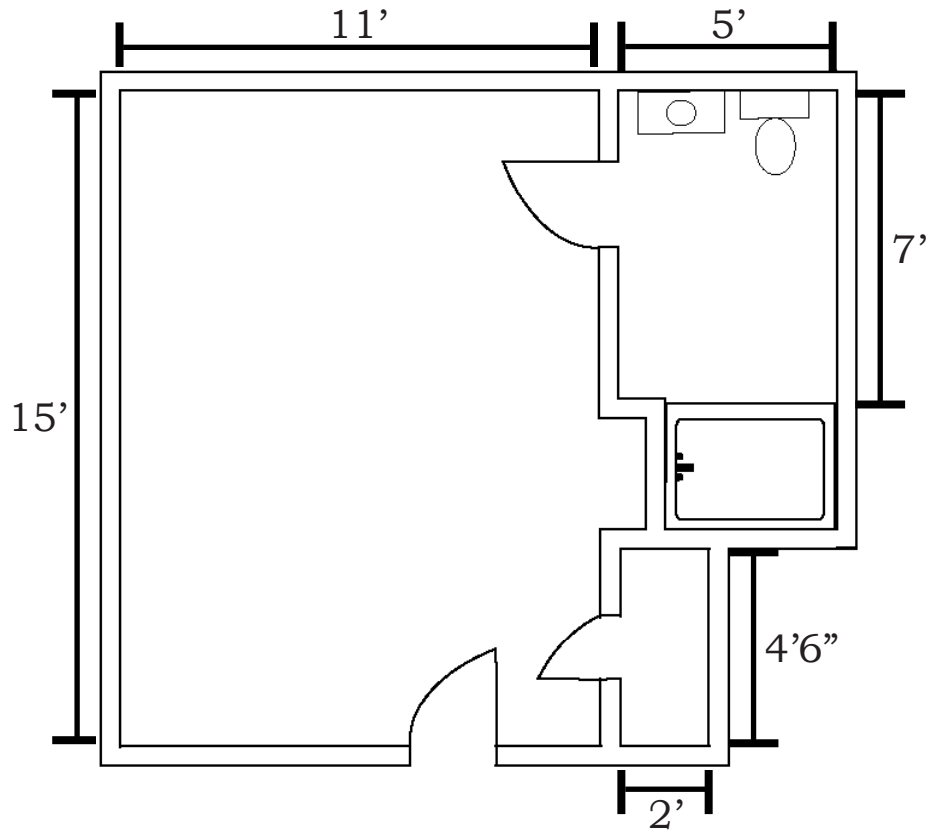
**Developed For:** \_\_\_\_\_





Apprx. 228 square feet

# Ivy Apartment: 310



## SERVICES INCLUDE:

- 24-hour assistance
- *CareSteps* personal care plan
  - Ongoing Checks
  - Scheduled & unscheduled nurse practitioner
  - Scheduled podiatrist visits
  - Medication purchasing & assistance
  - Quarterly & as-needed care evaluations
  - Home health nursing & therapies & Hospice
- Three home-style meals daily
- Planned off & on-site recreation
- Scheduled transportation
- Weekly housekeeping & daily tidy ups
- Weekly personal laundry

## APARTMENT FEATURES:

- Emergency alert system
- Individually controlled heat & AC
- Large picture windows
- Private bath with shower with safety bars and seat
- All utilities included
- Special soundproofing between apartments
- Cable TV, internet, and phone ready

**Community Fee:** \_\_\_\_\_

**Rent:** \_\_\_\_\_

***CareSteps*:** \_\_\_\_\_

**Phone:** \_\_\_\_\_

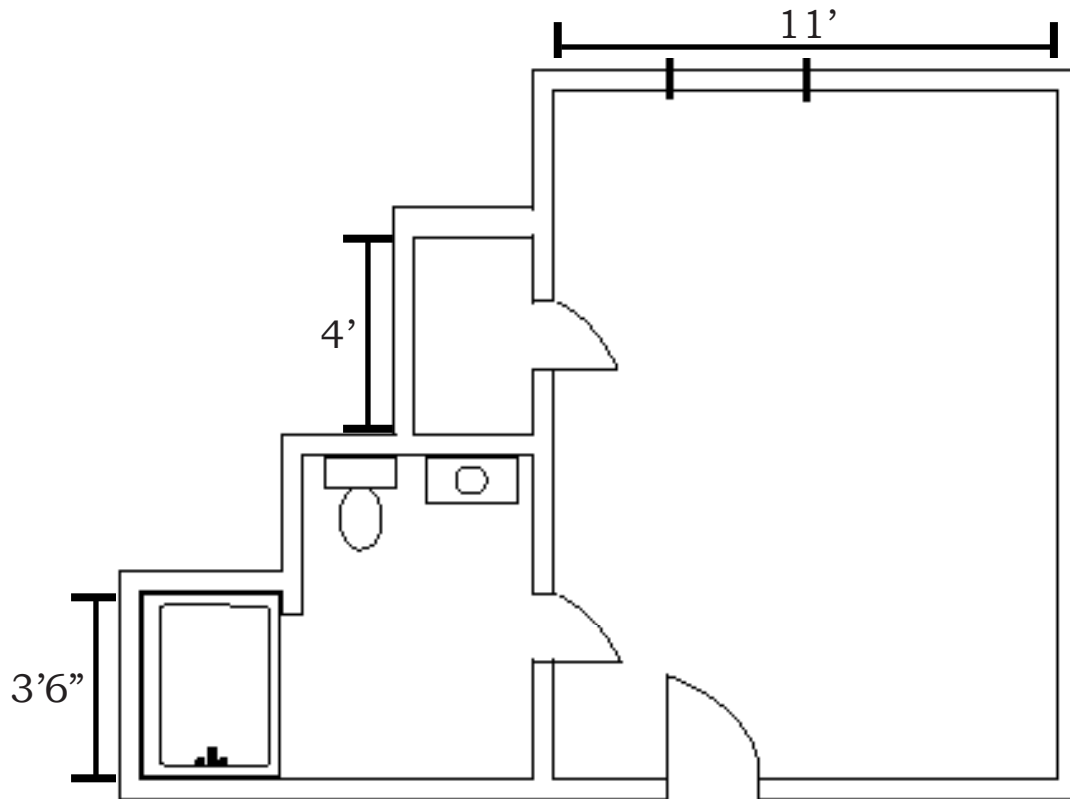
**Date:** \_\_\_\_\_ **Total:** \_\_\_\_\_

**Developed For:** \_\_\_\_\_



Apprx. 228 square feet

*Ivy Apartments: 304,305,306,309,311*



**SERVICES INCLUDE:**

- 24-hour assistance
- *CareSteps* personal care plan
  - Ongoing Checks
  - Scheduled & unscheduled nurse practitioner
  - Scheduled podiatrist visits
  - Medication purchasing & assistance
  - Quarterly & as-needed care evaluations
  - Home health nursing & therapies & Hospice
- Three home-style meals daily
- Planned off & on-site recreation
- Scheduled transportation
- Weekly housekeeping & daily tidy ups
- Weekly personal laundry

**APARTMENT FEATURES:**

- Emergency alert system
- Individually controlled heat & AC
- Large picture windows
- Private bath with shower with safety bars and seat
- All utilities included
- Special soundproofing between apartments
- Cable TV, internet, and phone ready

**Community Fee:** \_\_\_\_\_

**Rent:** \_\_\_\_\_

**CareSteps:** \_\_\_\_\_

**Phone:** \_\_\_\_\_

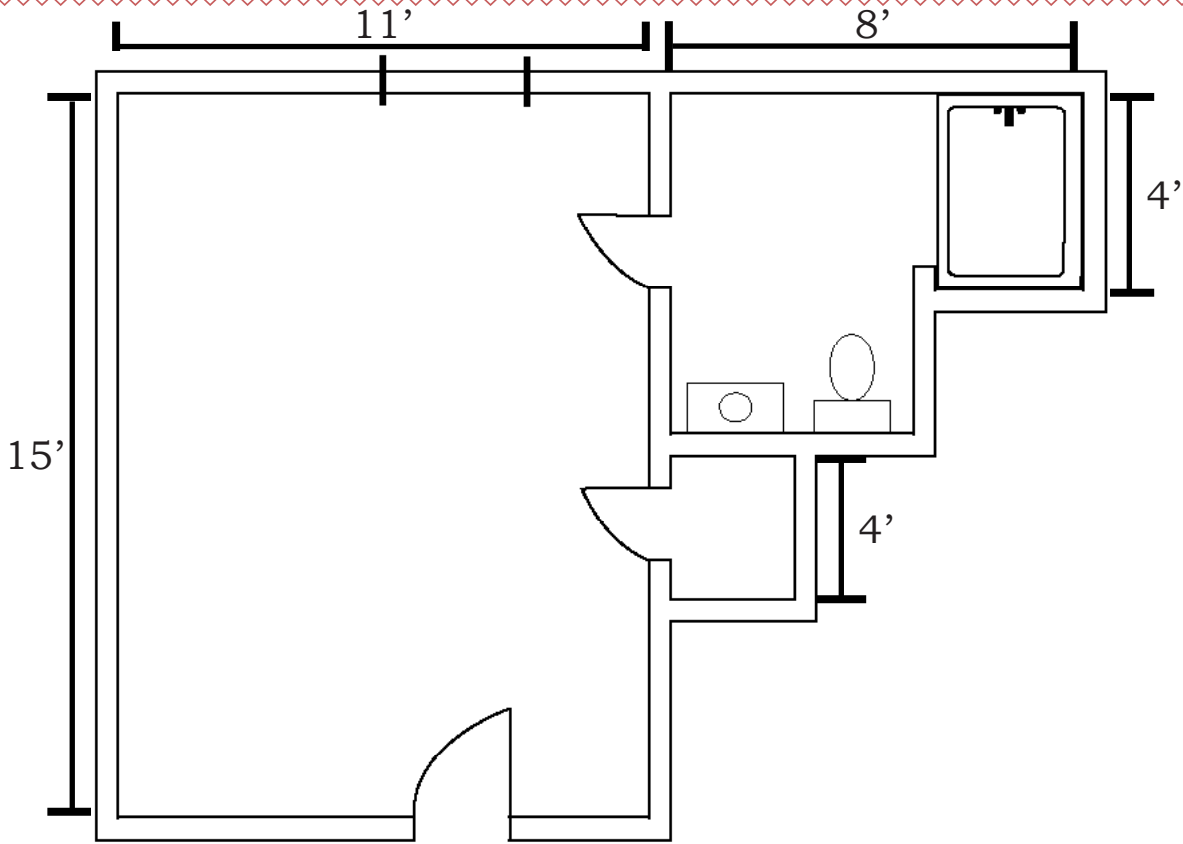
**Date:** \_\_\_\_\_ **Total:** \_\_\_\_\_

**Developed For:** \_\_\_\_\_



Apprx. 236 square feet

### Ivy Apartments: 301,314,316



#### SERVICES INCLUDE:

- 24-hour assistance
- *CareSteps* personal care plan
  - Ongoing Checks
  - Scheduled & unscheduled nurse practitioner
  - Scheduled podiatrist visits
  - Medication purchasing & assistance
  - Quarterly & as-needed care evaluations
  - Home health nursing & therapies & Hospice
- Three home-style meals daily
- Planned off & on-site recreation
- Scheduled transportation
- Weekly housekeeping & daily tidy ups
- Weekly personal laundry

#### APARTMENT FEATURES:

- Emergency alert system
- Individually controlled heat & AC
- Large picture windows
- Private bath with shower with safety bars and seat
- All utilities included
- Special soundproofing between apartments
- Cable TV, internet, and phone ready

**Community Fee:** \_\_\_\_\_

**Rent:** \_\_\_\_\_

**CareSteps:** \_\_\_\_\_

**Phone:** \_\_\_\_\_

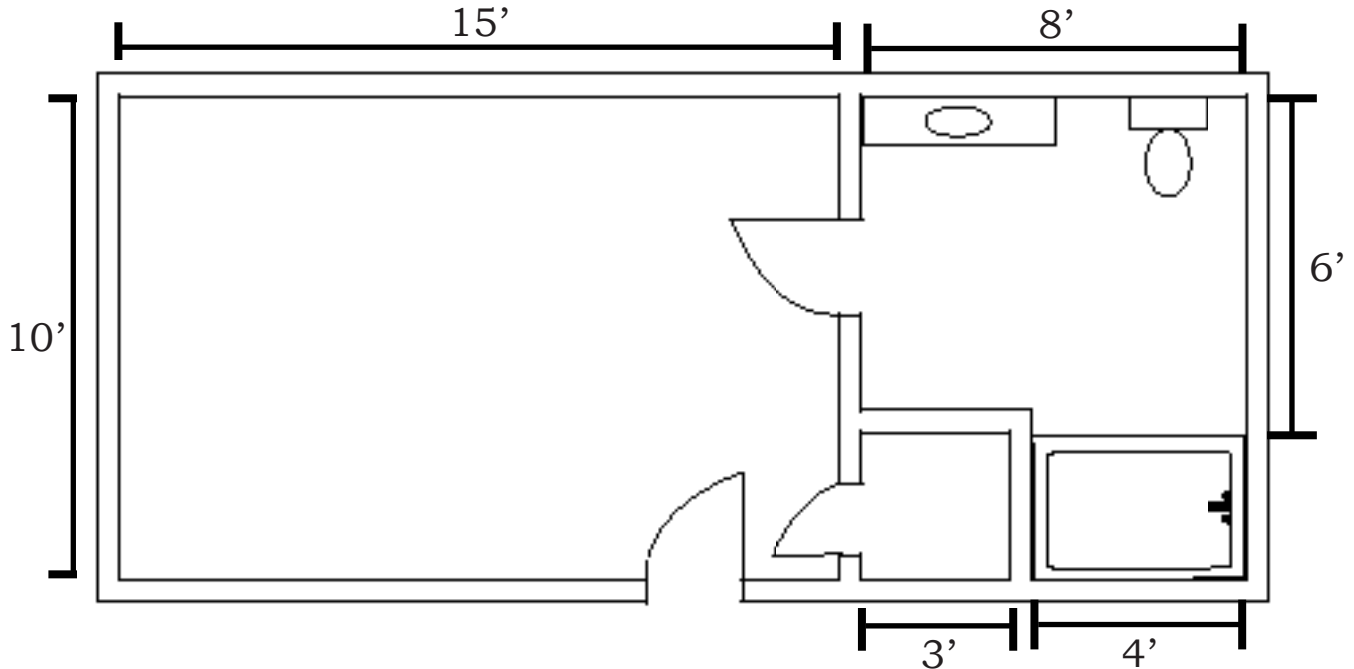
**Date:** \_\_\_\_\_ **Total:** \_\_\_\_\_

**Developed For:** \_\_\_\_\_



Apprx. 236 square feet

## Ivy Apartment: 315



### SERVICES INCLUDE:

- 24-hour assistance
- *CareSteps* personal care plan
  - Ongoing Checks
  - Scheduled & unscheduled nurse practitioner
  - Scheduled podiatrist visits
  - Medication purchasing & assistance
  - Quarterly & as-needed care evaluations
  - Home health nursing & therapies & Hospice
- Three home-style meals daily
- Planned off & on-site recreation
- Scheduled transportation
- Weekly housekeeping & daily tidy ups
- Weekly personal laundry

### APARTMENT FEATURES:

- Emergency alert system
- Individually controlled heat & AC
- Large picture windows
- Private bath with shower with safety bars and seat
- All utilities included
- Special soundproofing between apartments
- Cable TV, internet, and phone ready

**Community Fee:** \_\_\_\_\_

**Rent:** \_\_\_\_\_

**CareSteps:** \_\_\_\_\_

**Phone:** \_\_\_\_\_

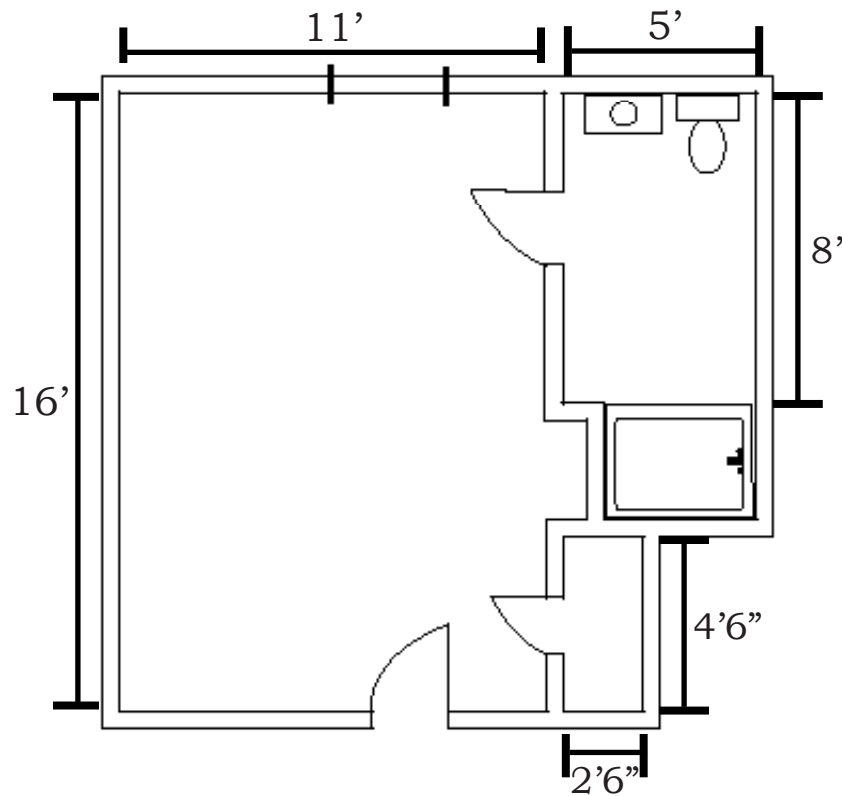
**Date:** \_\_\_\_\_ **Total:** \_\_\_\_\_

**Developed For:** \_\_\_\_\_



Apprx. 236 square feet

## Ivy Apartments 307,308,312



### SERVICES INCLUDE:

- 24-hour assistance
- *CareSteps* personal care plan
  - Ongoing Checks
  - Scheduled & unscheduled nurse practitioner
  - Scheduled podiatrist visits
  - Medication purchasing & assistance
  - Quarterly & as-needed care evaluations
  - Home health nursing & therapies & Hospice
- Three home-style meals daily
- Planned off & on-site recreation
- Scheduled transportation
- Weekly housekeeping & daily tidy ups
- Weekly personal laundry

### APARTMENT FEATURES:

- Emergency alert system
- Individually controlled heat & AC
- Large picture windows
- Private bath with shower with safety bars and seat
- All utilities included
- Special soundproofing between apartments
- Cable TV, internet, and phone ready

**Community Fee:** \_\_\_\_\_

**Rent:** \_\_\_\_\_

***CareSteps*:** \_\_\_\_\_

**Phone:** \_\_\_\_\_

**Date:** \_\_\_\_\_ **Total:** \_\_\_\_\_

**Developed For:** \_\_\_\_\_

