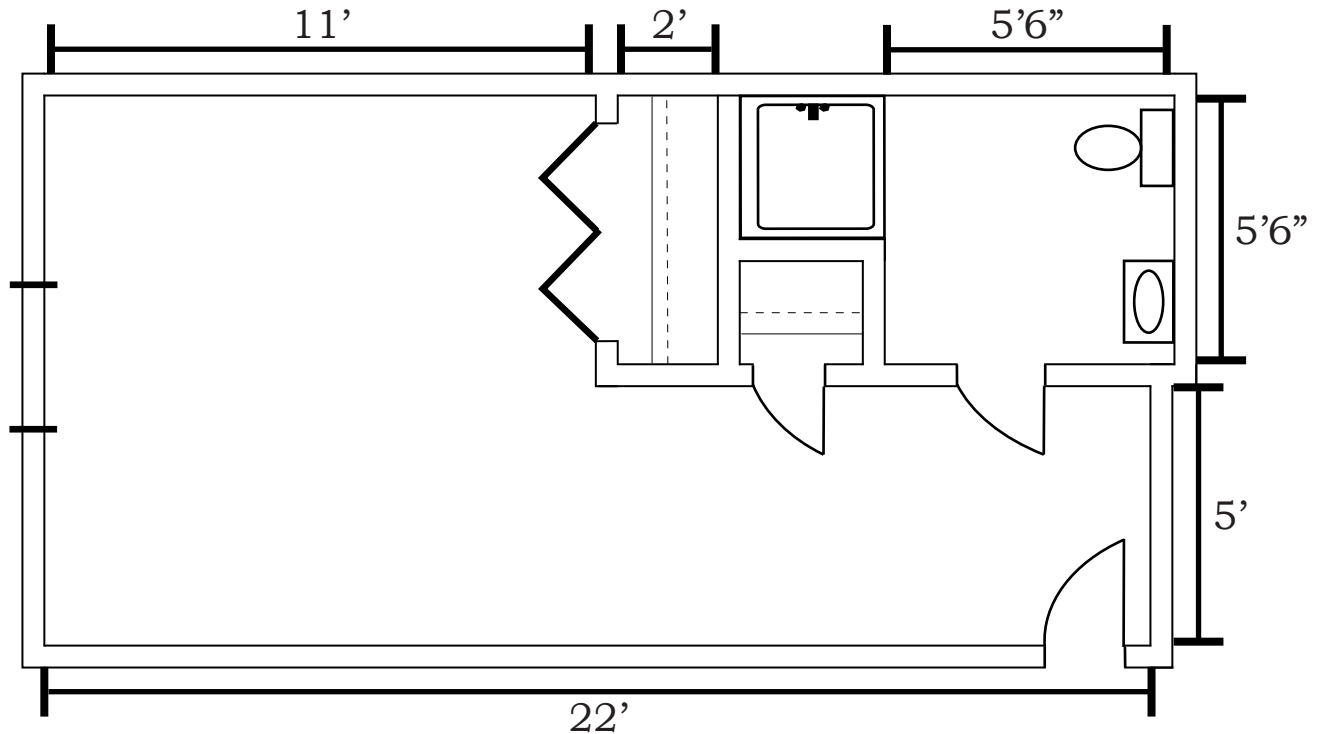


Claymar

Rooms: 5,6,9,10,11

Apprx. 259 square feet



SERVICES INCLUDE:

- 24-hour scheduled and unscheduled assistance
- CareSteps personal care plan
- Three homestyle meals daily
- Planned off and on-site recreation
- Scheduled transportation
- Weekly thorough housekeeping and daily tidy up
- Weekly personal laundry

BED-SITTING ROOM FEATURES:

- Emergency alert system
- Cable TV and telephone ready
- Private bath with shower
- All utilities included

SECURITY DEPOSIT: _____

MONTHLY SERVICE FEE: _____

DEVELOPED FOR: _____

DATE: _____



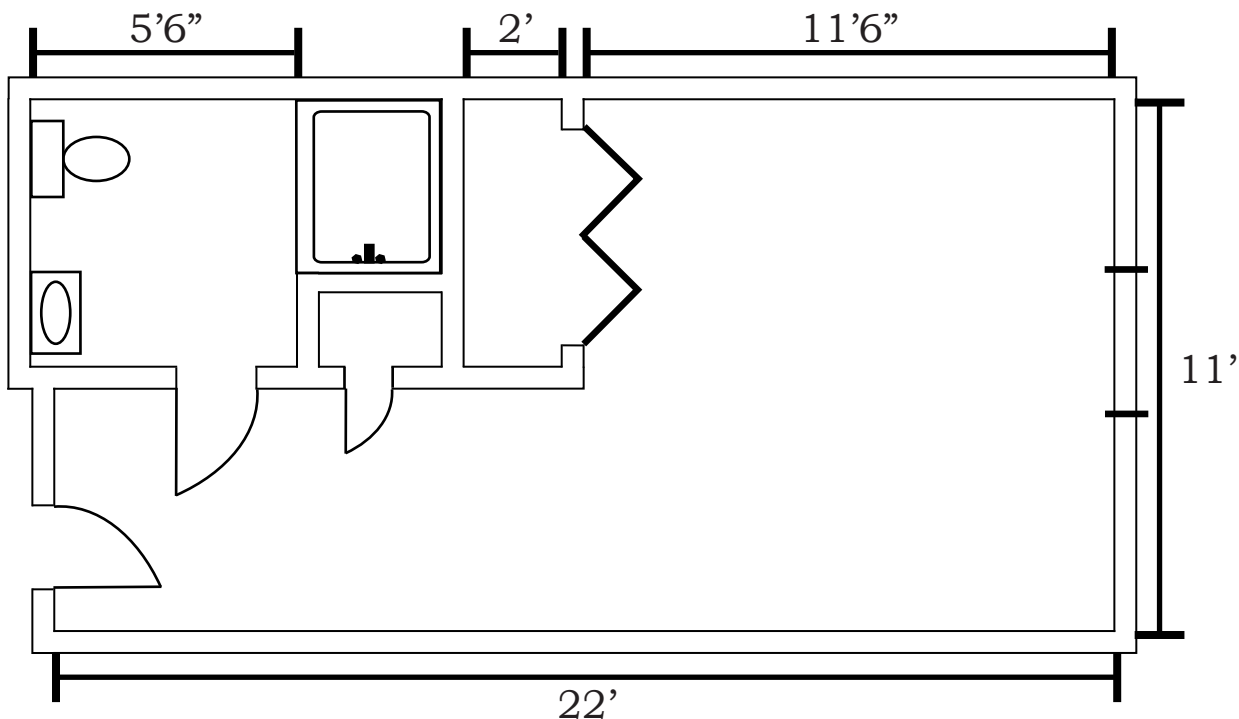
469 Weakley Creek Rd
Lawrenceburg, TN 38464
931-244-8969

cottageassistedliving.com

Ellingston

Apprx. 259 square feet

Rooms: 2,3,4,7,8,17,18,19,20,23,24,25,26



SERVICES INCLUDE:

- 24-hour scheduled and unscheduled assistance
- CareSteps personal care plan
- Three homestyle meals daily
- Planned off and on-site recreation
- Scheduled transportation
- Weekly thorough housekeeping and daily tidy up
- Weekly personal laundry

BED-SITTING ROOM FEATURES:

- Emergency alert system
- Cable TV and telephone ready
- Private bath with shower
- All utilities included

SECURITY DEPOSIT: _____

MONTHLY SERVICE FEE: _____

DEVELOPED FOR: _____

DATE: _____



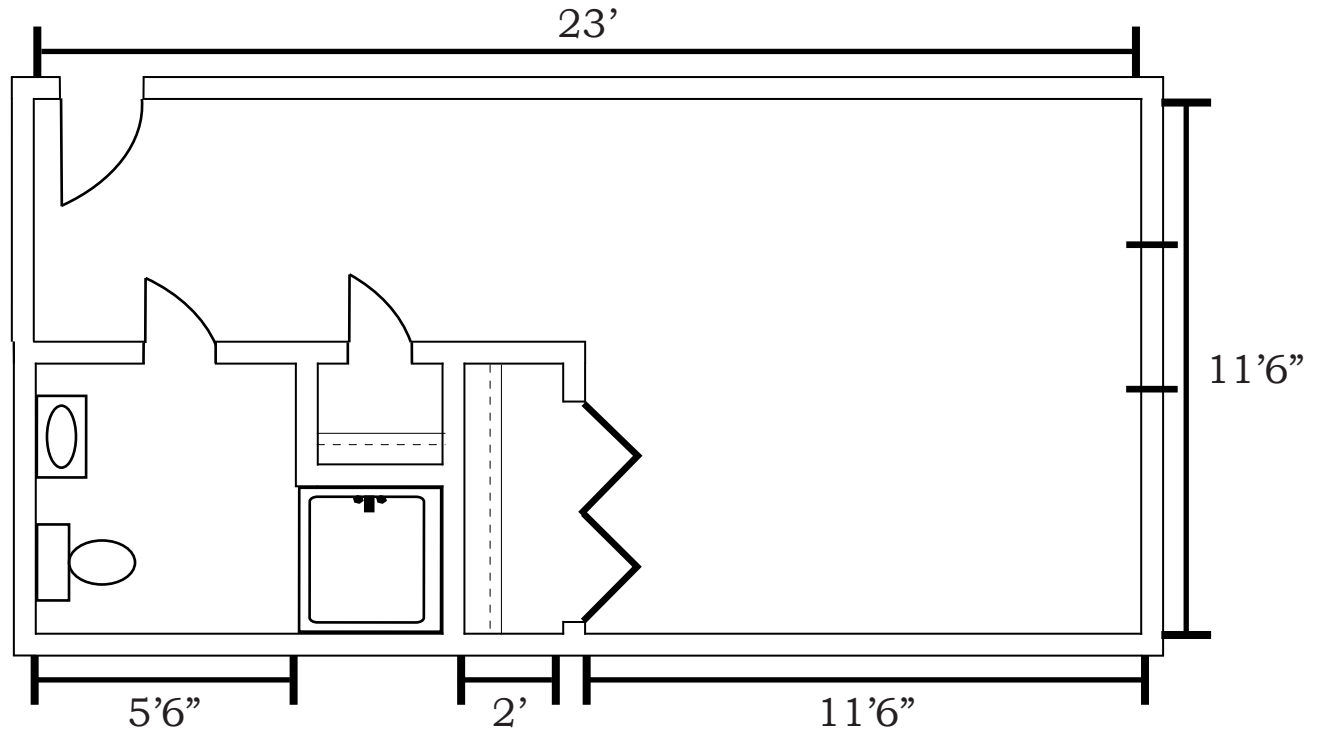
469 Weakley Creek Rd
Lawrenceburg, TN 38464
931-244-8969

cottageassistedliving.com

Delana

Rooms: 12,16

Apprx. 265 square feet



SERVICES INCLUDE:

- 24-hour scheduled and unscheduled assistance
- CareSteps personal care plan
- Three homestyle meals daily
- Planned off and on-site recreation
- Scheduled transportation
- Weekly thorough housekeeping and daily tidy up
- Weekly personal laundry

BED-SITTING ROOM FEATURES:

- Emergency alert system
- Cable TV and telephone ready
- Private bath with shower
- All utilities included

SECURITY DEPOSIT: _____

MONTHLY SERVICE FEE: _____

DEVELOPED FOR: _____

DATE: _____



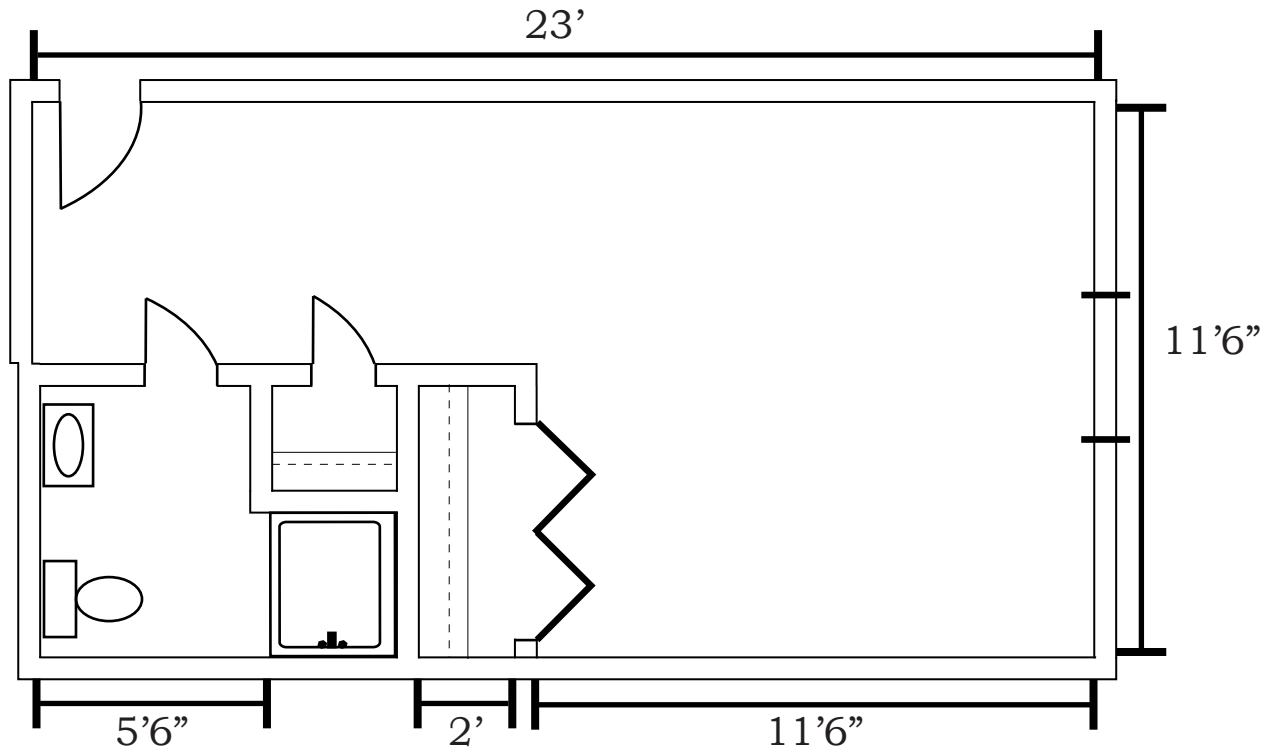
469 Weakley Creek Rd
Lawrenceburg, TN 38464
931-244-8969

cottageassistedliving.com

Parkes

Rooms: 1,27

Apprx. 265 square feet



SERVICES INCLUDE:

- 24-hour scheduled and unscheduled assistance
- CareSteps personal care plan
- Three homestyle meals daily
- Planned off and on-site recreation
- Scheduled transportation
- Weekly thorough housekeeping and daily tidy up
- Weekly personal laundry

BED-SITTING ROOM FEATURES:

- Emergency alert system
- Cable TV and telephone ready
- Private bath with shower
- All utilities included

SECURITY DEPOSIT: _____

MONTHLY SERVICE FEE: _____

DEVELOPED FOR: _____

DATE: _____



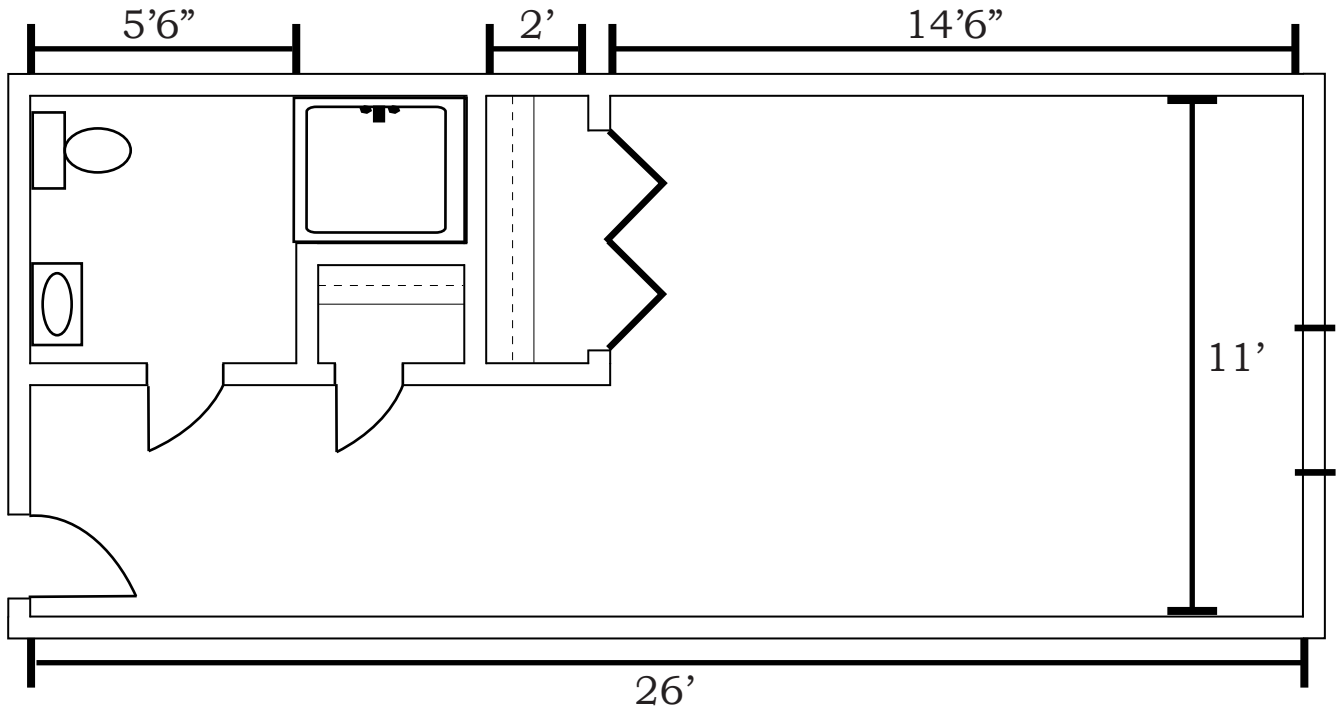
469 Weakley Creek Rd
Lawrenceburg, TN 38464
931-244-8969

cottageassistedliving.com

Caperton

Rooms: 13,14,15

Apprx. 309 square feet



SERVICES INCLUDE:

- 24-hour scheduled and unscheduled assistance
- CareSteps personal care plan
- Three homestyle meals daily
- Planned off and on-site recreation
- Scheduled transportation
- Weekly thorough housekeeping and daily tidy up
- Weekly personal laundry

BED-SITTING ROOM FEATURES:

- Emergency alert system
- Cable TV and telephone ready
- Private bath with shower
- All utilities included

SECURITY DEPOSIT: _____

MONTHLY SERVICE FEE: _____

DEVELOPED FOR: _____

DATE: _____



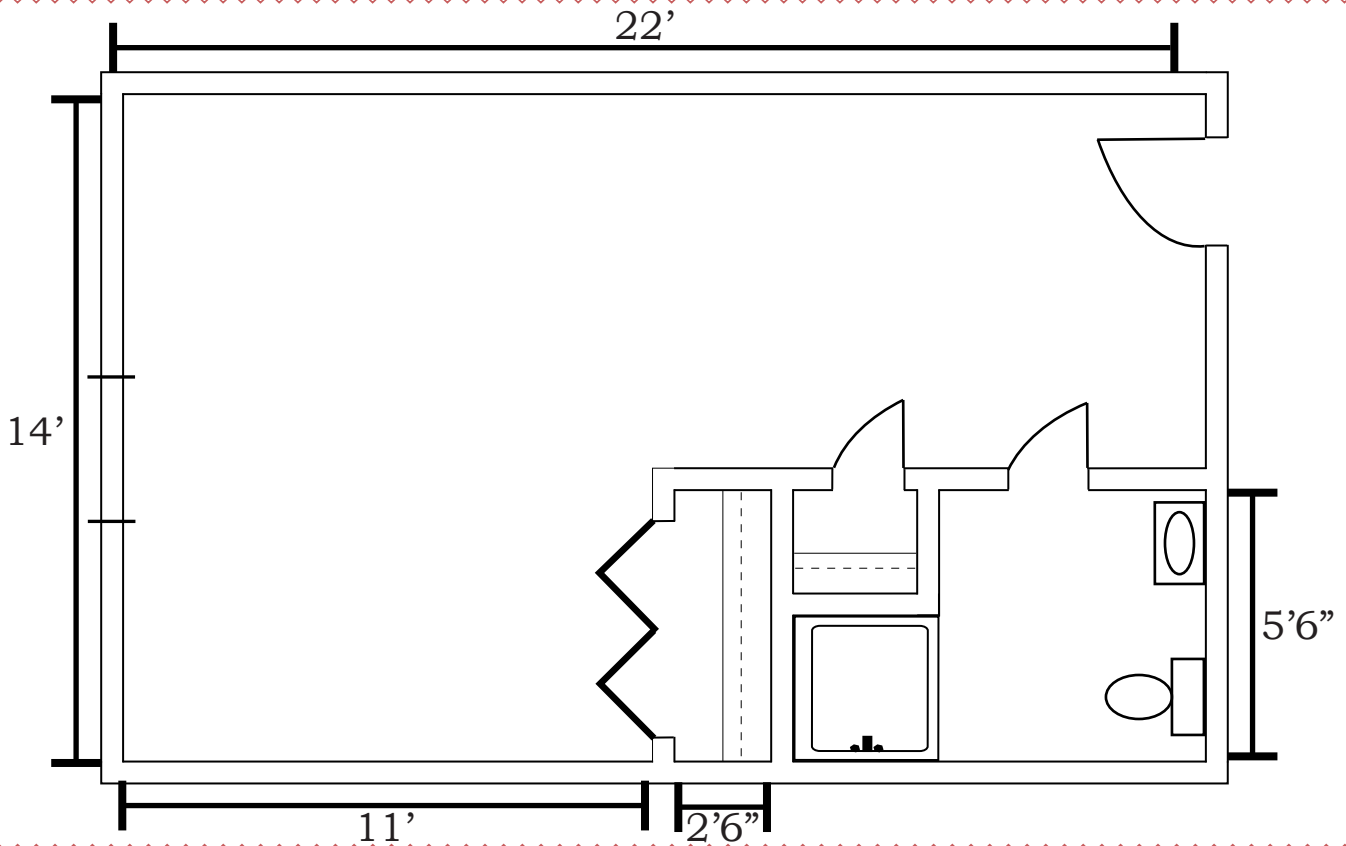
469 Weakley Creek Rd
Lawrenceburg, TN 38464
931-244-8969

cottageassistedliving.com

Colston

Rooms: 21,22

Apprx. 318 square feet



SERVICES INCLUDE:

- 24-hour scheduled and unscheduled assistance
- CareSteps personal care plan
- Three homestyle meals daily
- Planned off and on-site recreation
- Scheduled transportation
- Weekly thorough housekeeping and daily tidy up
- Weekly personal laundry

BED-SITTING ROOM FEATURES:

- Emergency alert system
- Cable TV and telephone ready
- Private bath with shower
- All utilities included

SECURITY DEPOSIT: _____

MONTHLY SERVICE FEE: _____

DEVELOPED FOR: _____

DATE: _____



469 Weakley Creek Rd
Lawrenceburg, TN 38464
931-244-8969

cottageassistedliving.com