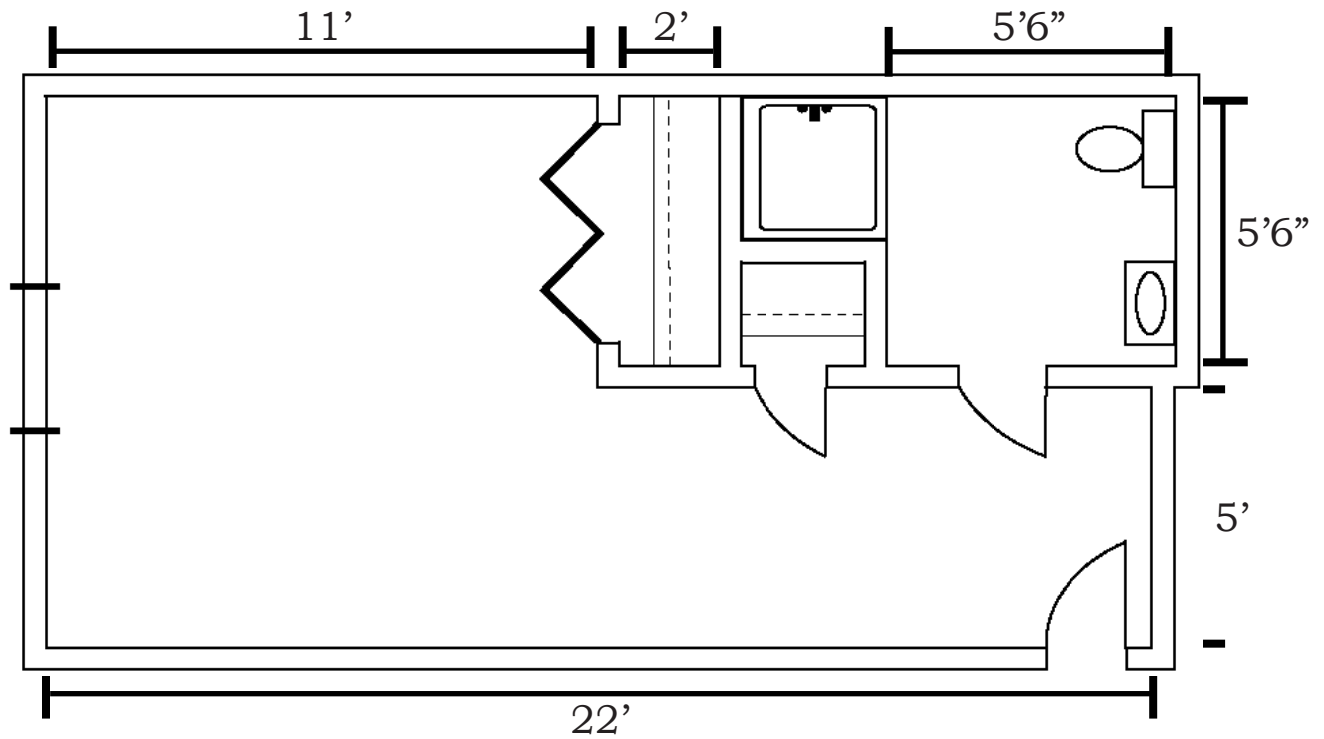


Apprx. 259 square feet

Apartments: 5,6,9,10,11



SERVICES INCLUDE:

- 24-hour assistance
- *CareSteps* personal care plan
 - Ongoing Checks
 - Scheduled & unscheduled nurse practitioner
 - Scheduled podiatrist visits
 - Medication purchasing & assistance
 - Quarterly & as-needed care evaluations
 - Home health nursing & therapies & Hospice
- Three home-style meals daily
- Planned off & on-site recreation
- Scheduled transportation
- Weekly housekeeping & daily tidy ups
- Weekly personal laundry

APARTMENT FEATURES:

- Emergency alert system
- Individually controlled heat & AC
- Large picture windows
- Private bath with shower with safety bars and seat
- All utilities included
- Special soundproofing between apartments
- Cable TV, internet, and phone ready

Community Fee: _____

Rent: _____

CareSteps: _____

Phone: _____

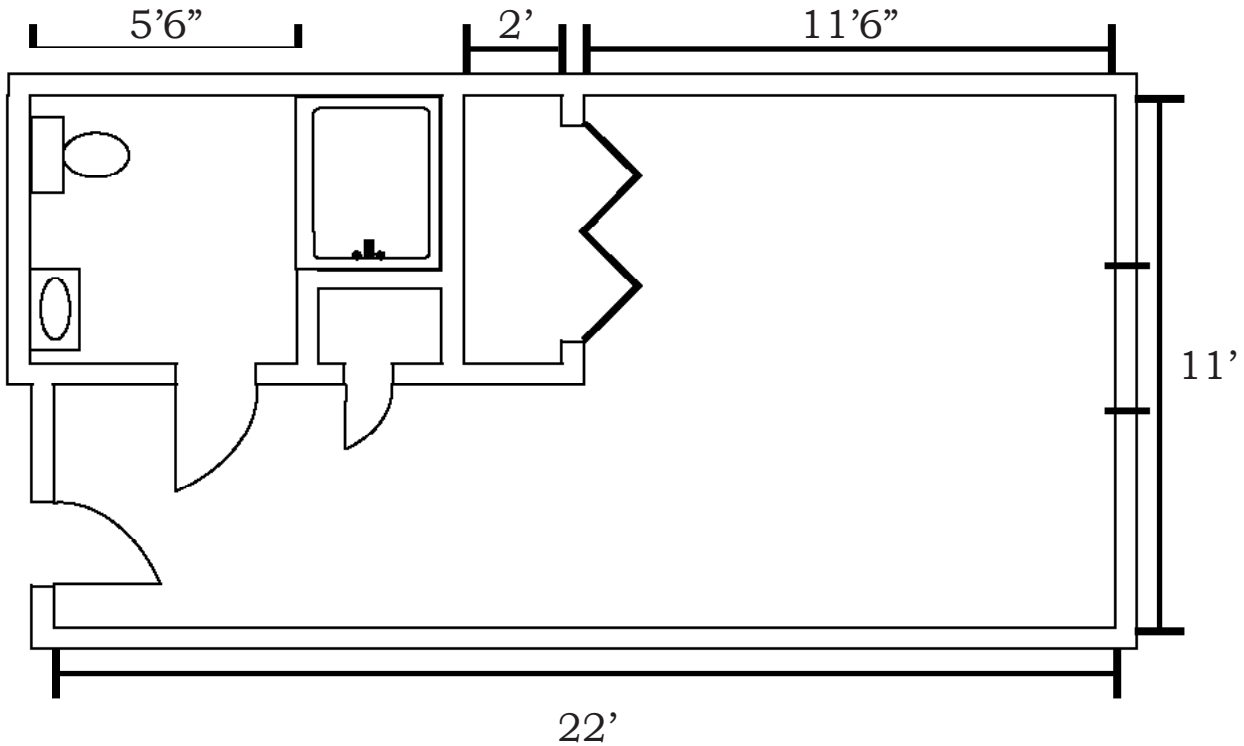
Date: _____ **Total:** _____

Developed For: _____



Apprx. 259 square feet

Apartments: 2,3,4,7,8,17,18,19,20,23,24,25,26



SERVICES INCLUDE:

- 24-hour assistance
- *CareSteps* personal care plan
 - Ongoing Checks
 - Scheduled & unscheduled nurse practitioner
 - Scheduled podiatrist visits
 - Medication purchasing & assistance
 - Quarterly & as-needed care evaluations
 - Home health nursing & therapies & Hospice
- Three home-style meals daily
- Planned off & on-site recreation
- Scheduled transportation
- Weekly housekeeping & daily tidy ups
- Weekly personal laundry

APARTMENT FEATURES:

- Emergency alert system
- Individually controlled heat & AC
- Large picture windows
- Private bath with shower with safety bars and seat
- All utilities included
- Special soundproofing between apartments
- Cable TV, internet, and phone ready

Community Fee: _____

Rent: _____

***CareSteps*:** _____

Phone: _____

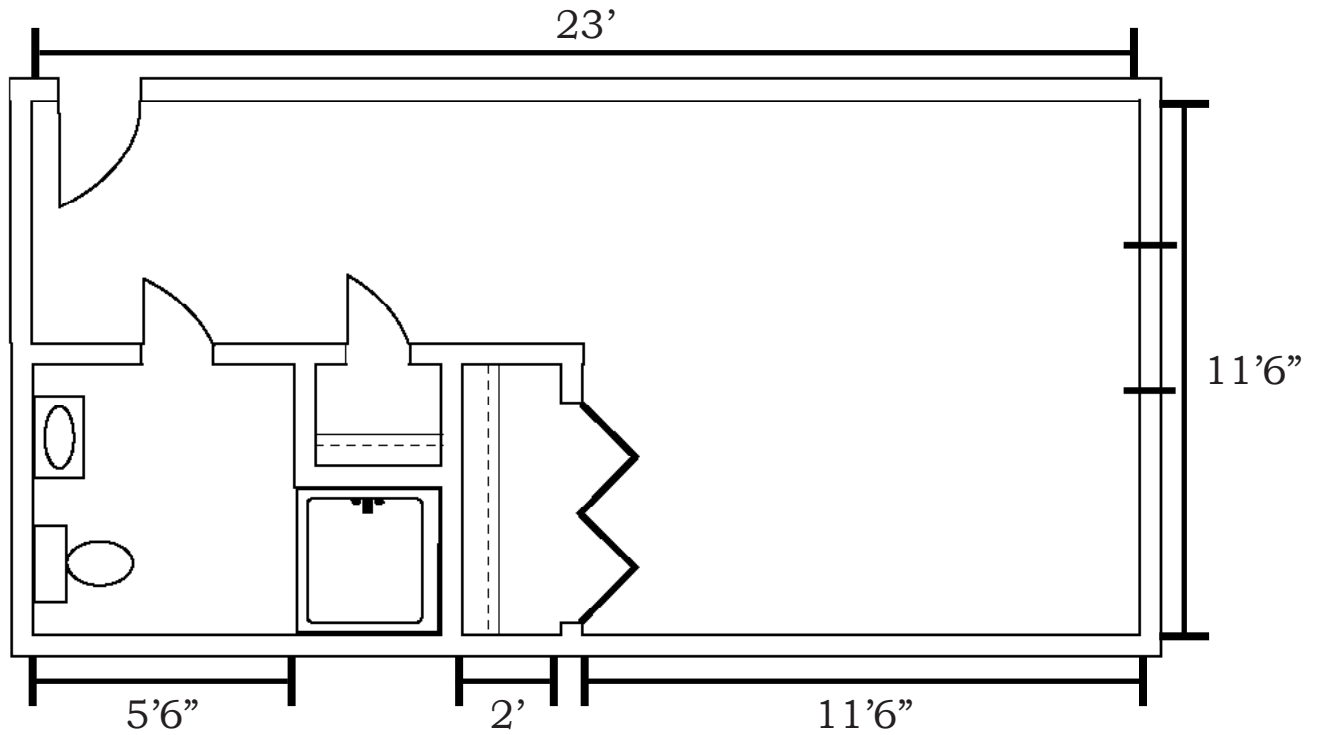
Date: _____ **Total:** _____

Developed For: _____



Apprx. 265 square feet

Apartments: 12,16



SERVICES INCLUDE:

- 24-hour assistance
- *CareSteps* personal care plan
 - Ongoing Checks
 - Scheduled & unscheduled nurse practitioner
 - Scheduled podiatrist visits
 - Medication purchasing & assistance
 - Quarterly & as-needed care evaluations
 - Home health nursing & therapies & Hospice
- Three home-style meals daily
- Planned off & on-site recreation
- Scheduled transportation
- Weekly housekeeping & daily tidy ups
- Weekly personal laundry

APARTMENT FEATURES:

- Emergency alert system
- Individually controlled heat & AC
- Large picture windows
- Private bath with shower with safety bars and seat
- All utilities included
- Special soundproofing between apartments
- Cable TV, internet, and phone ready

Community Fee: _____

Rent: _____

CareSteps: _____

Phone: _____

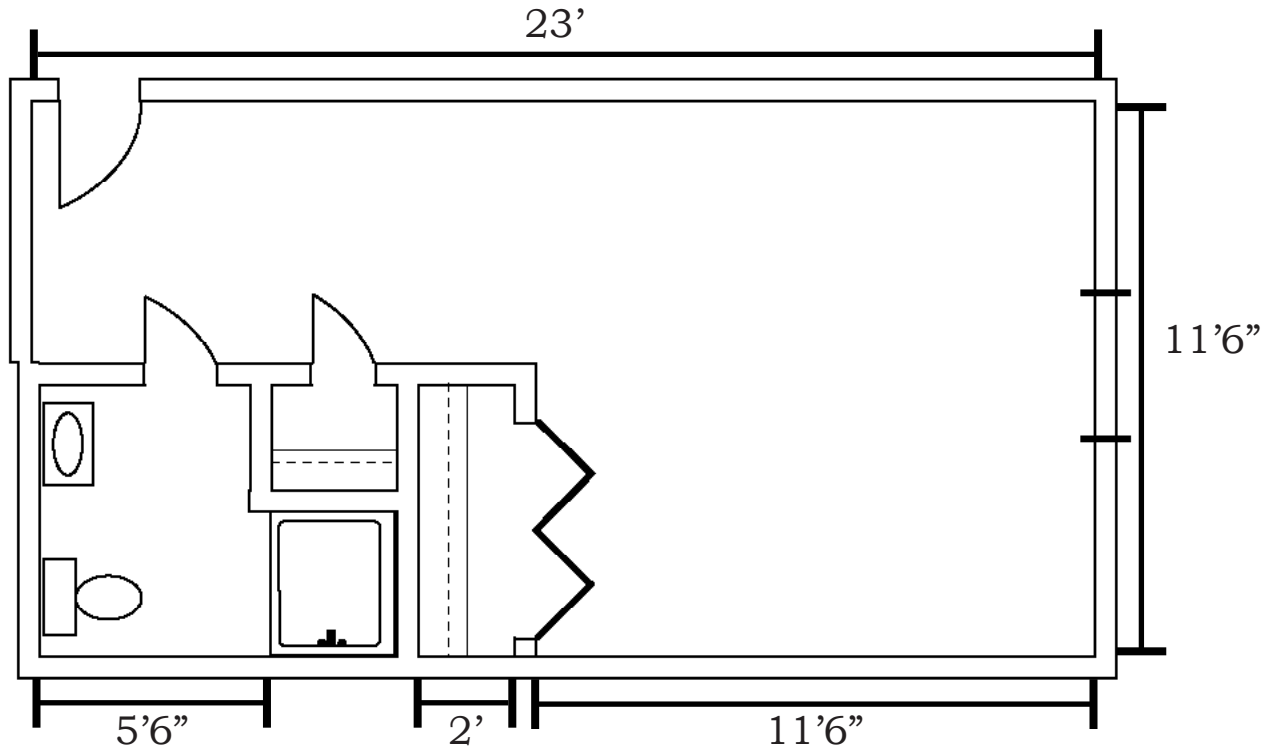
Date: _____ **Total:** _____

Developed For: _____



Apprx. 265 square feet

Apartments: 1,27



SERVICES INCLUDE:

- 24-hour assistance
- *CareSteps* personal care plan
 - Ongoing Checks
 - Scheduled & unscheduled nurse practitioner
 - Scheduled podiatrist visits
 - Medication purchasing & assistance
 - Quarterly & as-needed care evaluations
 - Home health nursing & therapies & Hospice
- Three home-style meals daily
- Planned off & on-site recreation
- Scheduled transportation
- Weekly housekeeping & daily tidy ups
- Weekly personal laundry

APARTMENT FEATURES:

- Emergency alert system
- Individually controlled heat & AC
- Large picture windows
- Private bath with shower with safety bars and seat
- All utilities included
- Special soundproofing between apartments
- Cable TV, internet, and phone ready

Community Fee: _____

Rent: _____

CareSteps: _____

Phone: _____

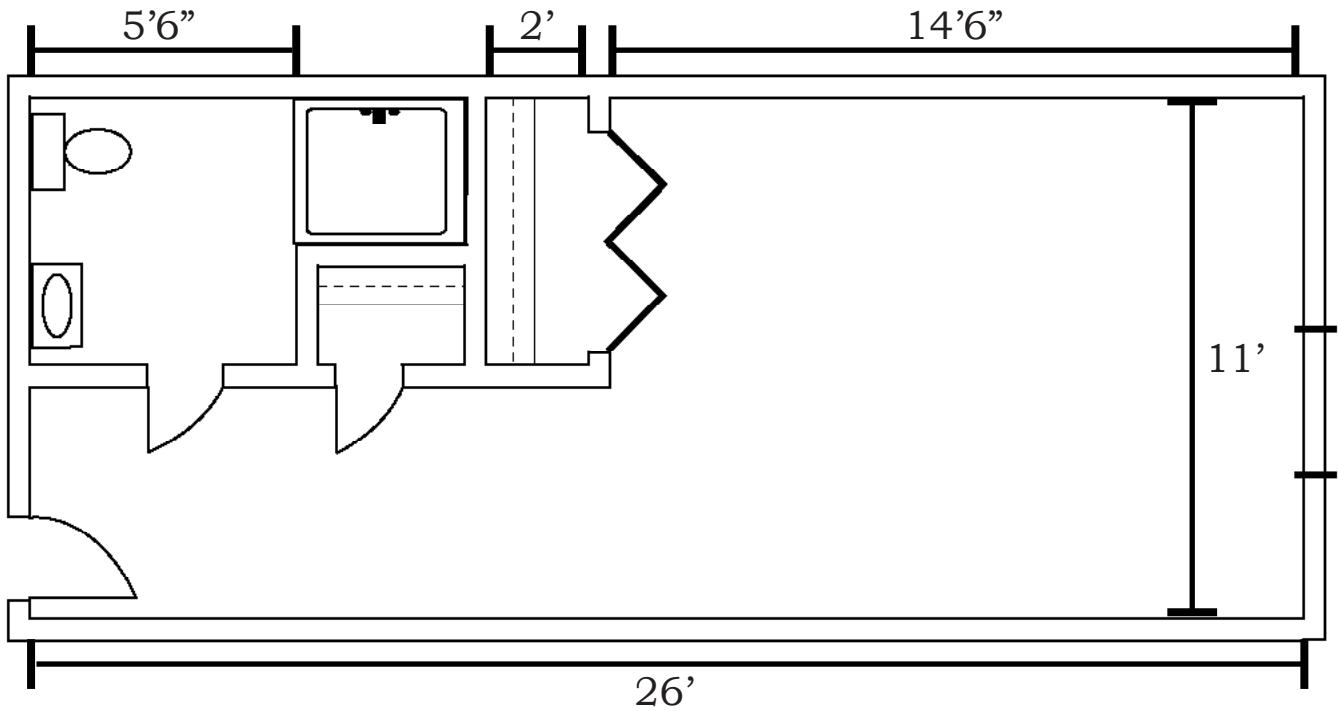
Date: _____ **Total:** _____

Developed For: _____



Apprx. 309 square feet

Apartments: 13, 14, 15



SERVICES INCLUDE:

- 24-hour assistance
- *CareSteps* personal care plan
 - Ongoing Checks
 - Scheduled & unscheduled nurse practitioner
 - Scheduled podiatrist visits
 - Medication purchasing & assistance
 - Quarterly & as-needed care evaluations
 - Home health nursing & therapies & Hospice
- Three home-style meals daily
- Planned off & on-site recreation
- Scheduled transportation
- Weekly housekeeping & daily tidy ups
- Weekly personal laundry

APARTMENT FEATURES:

- Emergency alert system
- Individually controlled heat & AC
- Large picture windows
- Private bath with shower with safety bars and seat
- All utilities included
- Special soundproofing between apartments
- Cable TV, internet, and phone ready

Community Fee: _____

Rent: _____

***CareSteps*:** _____

Phone: _____

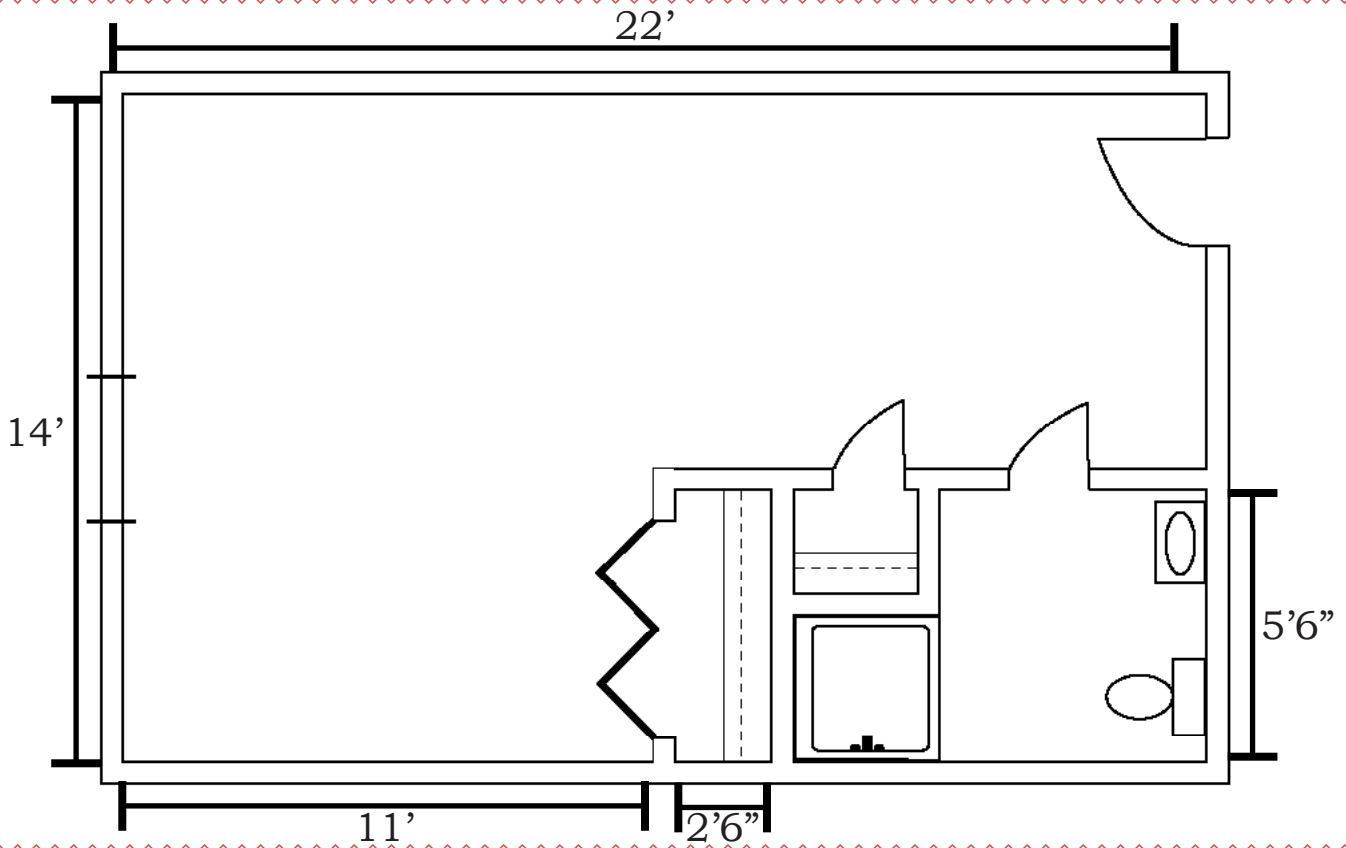
Date: _____ **Total:** _____

Developed For: _____



Apprx. 318 square feet

Apartments: 21,22



SERVICES INCLUDE:

- 24-hour assistance
- *CareSteps* personal care plan
 - Ongoing Checks
 - Scheduled & unscheduled nurse practitioner
 - Scheduled podiatrist visits
 - Medication purchasing & assistance
 - Quarterly & as-needed care evaluations
 - Home health nursing & therapies & Hospice
- Three home-style meals daily
- Planned off & on-site recreation
- Scheduled transportation
- Weekly housekeeping & daily tidy ups
- Weekly personal laundry

APARTMENT FEATURES:

- Emergency alert system
- Individually controlled heat & AC
- Large picture windows
- Private bath with shower with safety bars and seat
- All utilities included
- Special soundproofing between apartments
- Cable TV, internet, and phone ready

Community Fee: _____

Rent: _____

CareSteps: _____

Phone: _____

Date: _____ **Total:** _____

Developed For: _____

