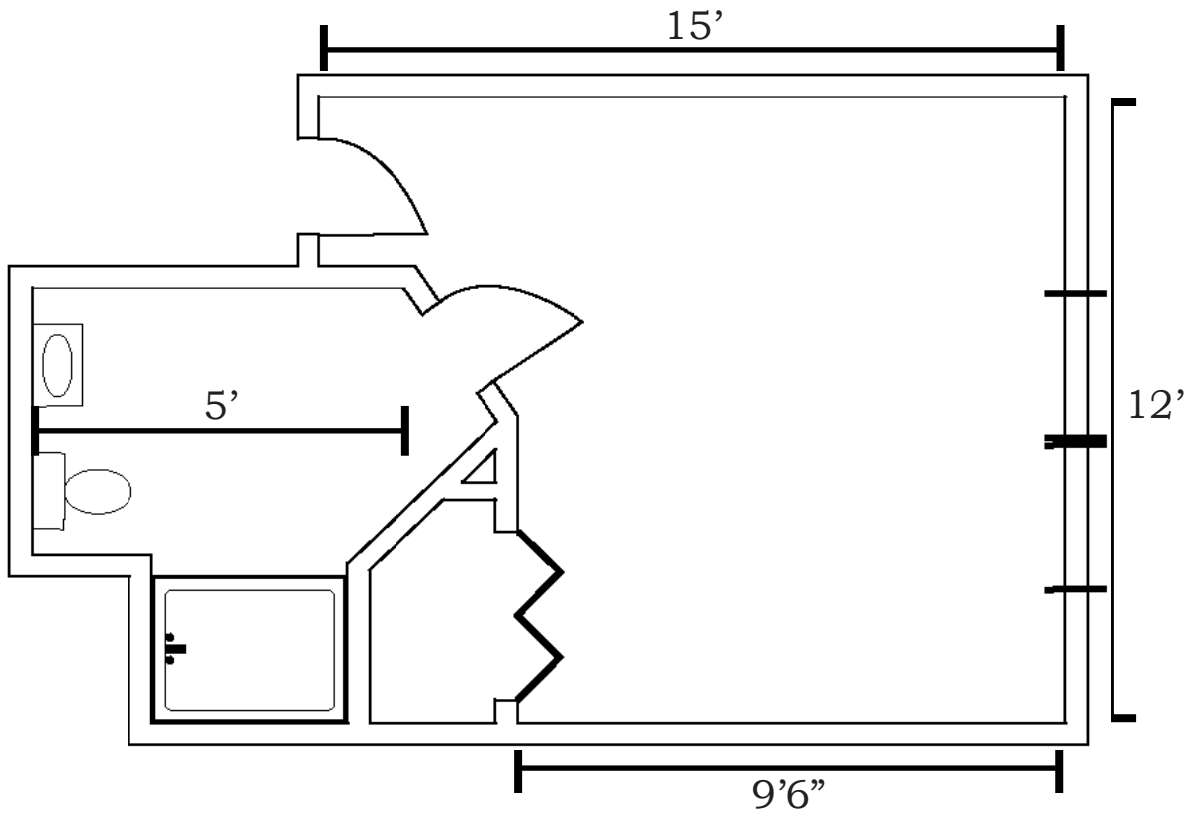


Apprx. 213 square feet

Holly Apartments: 1,2,9,10



SERVICES INCLUDE:

- 24-hour assistance
- *CareSteps* personal care plan
 - Ongoing Checks
 - Scheduled & unscheduled nurse practitioner
 - Scheduled podiatrist visits
 - Medication purchasing & assistance
 - Quarterly & as-needed care evaluations
 - Home health nursing & therapies & Hospice
- Three home-style meals daily
- Planned off & on-site recreation
- Scheduled transportation
- Weekly housekeeping & daily tidy ups
- Weekly personal laundry

APARTMENT FEATURES:

- Emergency alert system
- Individually controlled heat & AC
- Large picture windows
- Private bath with shower with safety bars and seat
- All utilities included
- Special soundproofing between apartments
- Cable TV, internet, and phone ready

Community Fee: _____

Rent: _____

***CareSteps*:** _____

Phone: _____

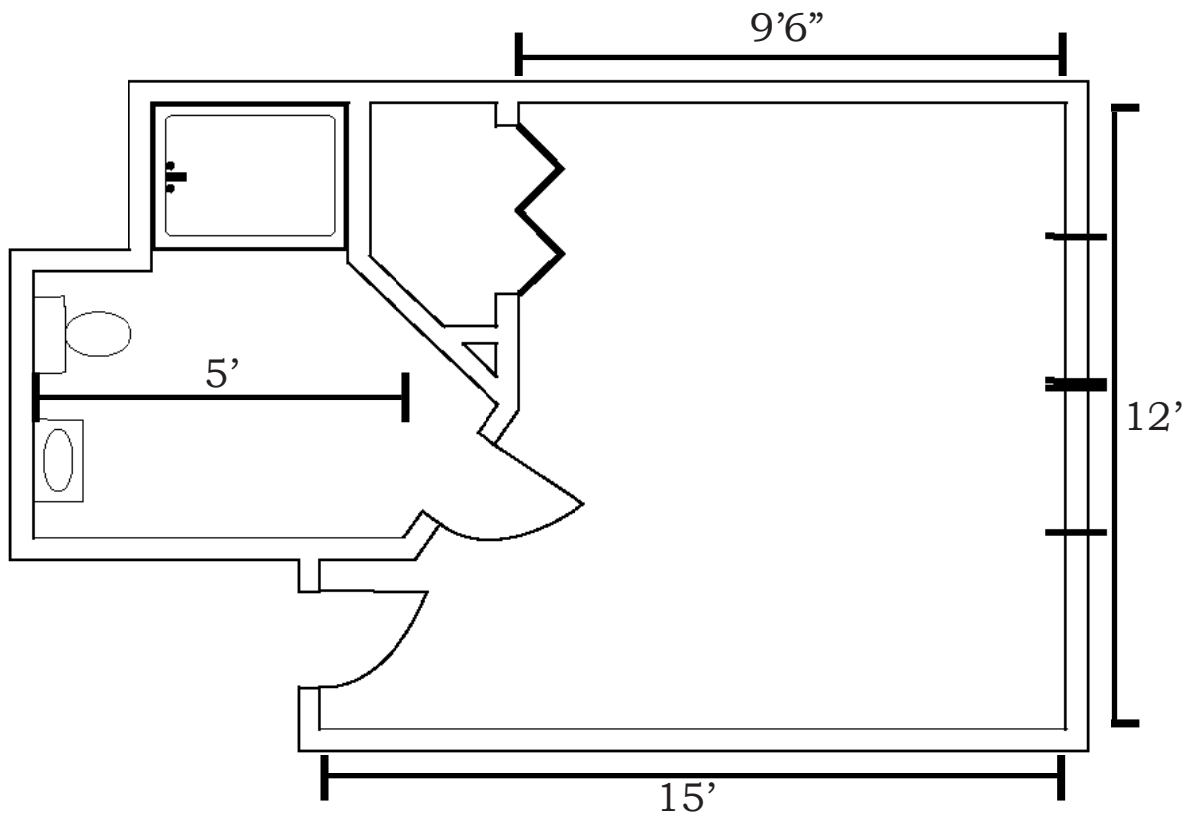
Date: _____ **Total:** _____

Developed For: _____



Apprx. 213 square feet

Holly Apartments: 3,4,5,6,11,12,14,15



SERVICES INCLUDE:

- 24-hour assistance
- *CareSteps* personal care plan
 - Ongoing Checks
 - Scheduled & unscheduled nurse practitioner
 - Scheduled podiatrist visits
 - Medication purchasing & assistance
 - Quarterly & as-needed care evaluations
 - Home health nursing & therapies & Hospice
- Three home-style meals daily
- Planned off & on-site recreation
- Scheduled transportation
- Weekly housekeeping & daily tidy ups
- Weekly personal laundry

APARTMENT FEATURES:

- Emergency alert system
- Individually controlled heat & AC
- Large picture windows
- Private bath with shower with safety bars and seat
- All utilities included
- Special soundproofing between apartments
- Cable TV, internet, and phone ready

Community Fee: _____

Rent: _____

CareSteps: _____

Phone: _____

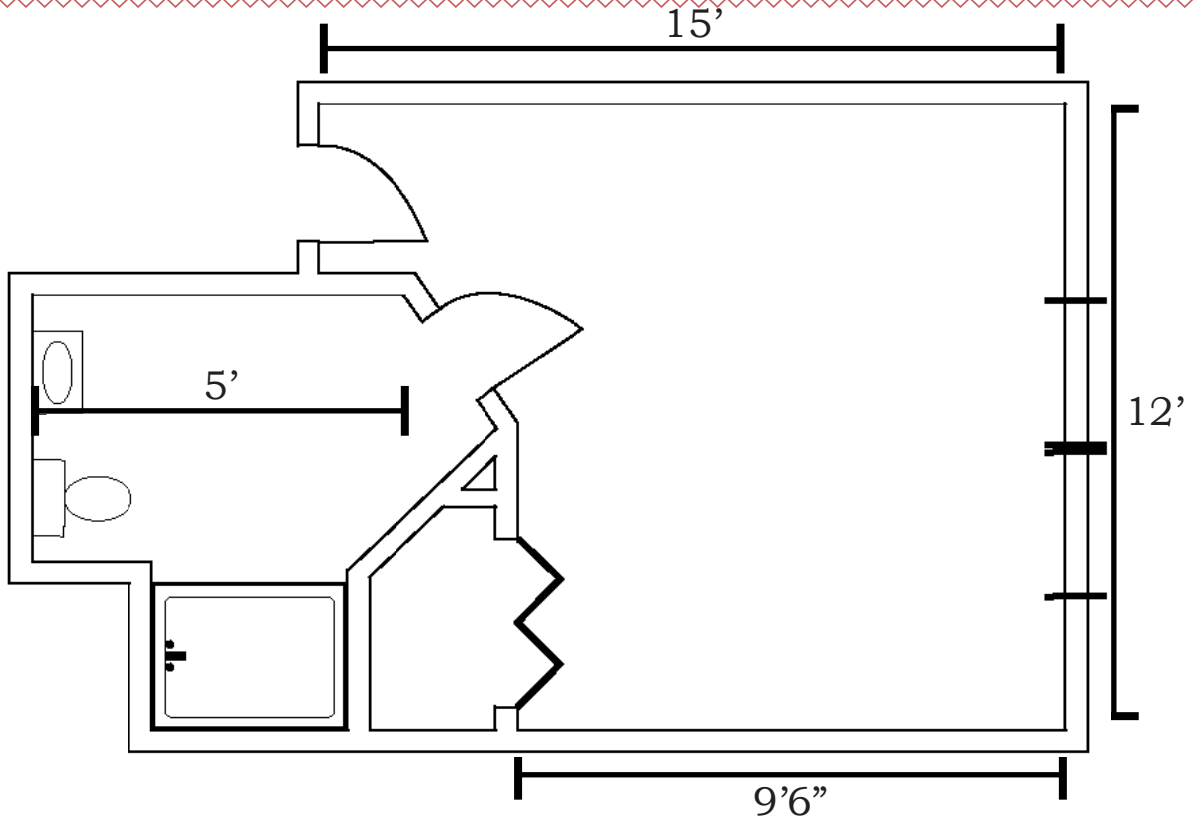
Date: _____ **Total:** _____

Developed For: _____



Apprx. 213 square feet

Holly Apartments: 7,8,16,17



SERVICES INCLUDE:

- 24-hour assistance
- *CareSteps* personal care plan
 - Ongoing Checks
 - Scheduled & unscheduled nurse practitioner
 - Scheduled podiatrist visits
 - Medication purchasing & assistance
 - Quarterly & as-needed care evaluations
 - Home health nursing & therapies & Hospice
- Three home-style meals daily
- Planned off & on-site recreation
- Scheduled transportation
- Weekly housekeeping & daily tidy ups
- Weekly personal laundry

APARTMENT FEATURES:

- Emergency alert system
- Individually controlled heat & AC
- Large picture windows
- Private bath with shower with safety bars and seat
- All utilities included
- Special soundproofing between apartments
- Cable TV, internet, and phone ready

Community Fee: _____

Rent: _____

***CareSteps*:** _____

Phone: _____

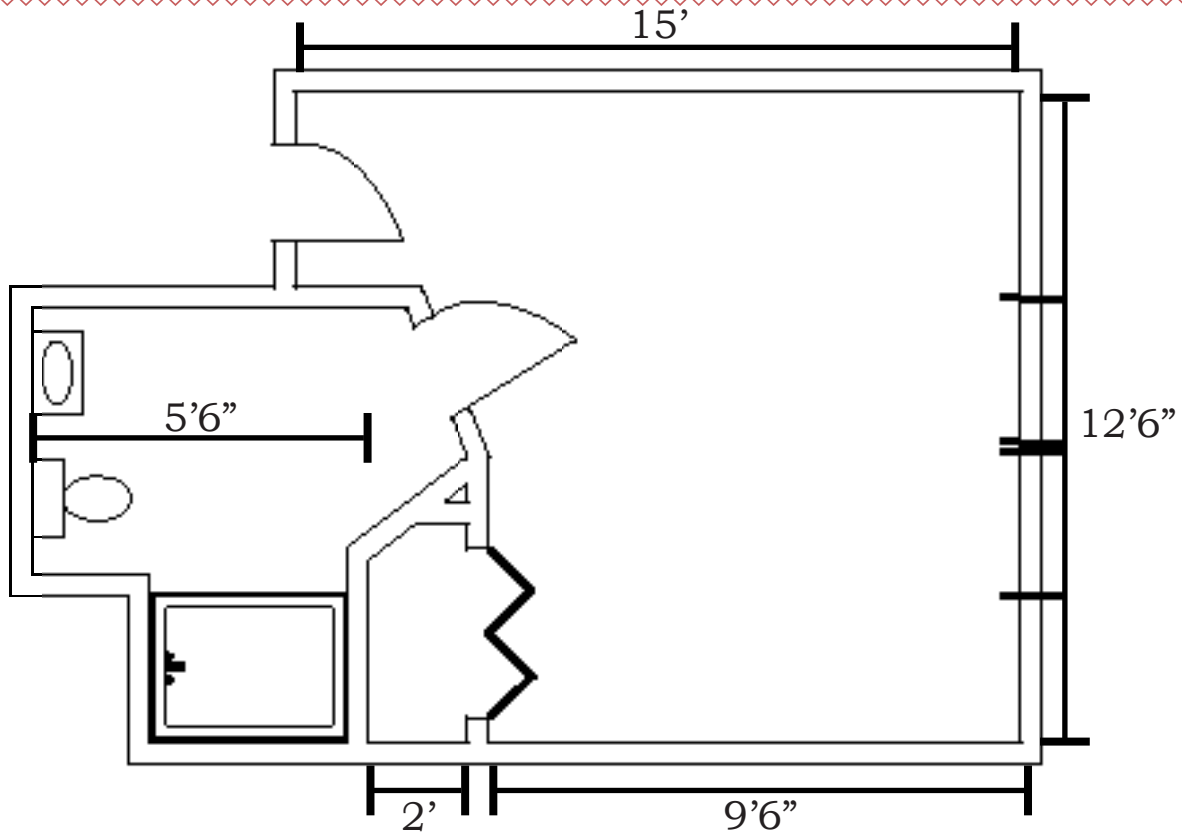
Date: _____ **Total:** _____

Developed For: _____



Apprx. 213- 221 square feet

Magnolia Apartments: 1,2,9,10



SERVICES INCLUDE:

- 24-hour assistance
- *CareSteps* personal care plan
 - Ongoing Checks
 - Scheduled & unscheduled nurse practitioner
 - Scheduled podiatrist visits
 - Medication purchasing & assistance
 - Quarterly & as-needed care evaluations
 - Home health nursing & therapies & Hospice
- Three home-style meals daily
- Planned off & on-site recreation
- Scheduled transportation
- Weekly housekeeping & daily tidy ups
- Weekly personal laundry

APARTMENT FEATURES:

- Emergency alert system
- Individually controlled heat & AC
- Large picture windows
- Private bath with shower with safety bars and seat
- All utilities included
- Special soundproofing between apartments
- Cable TV, internet, and phone ready

Community Fee: _____

Rent: _____

***CareSteps*:** _____

Phone: _____

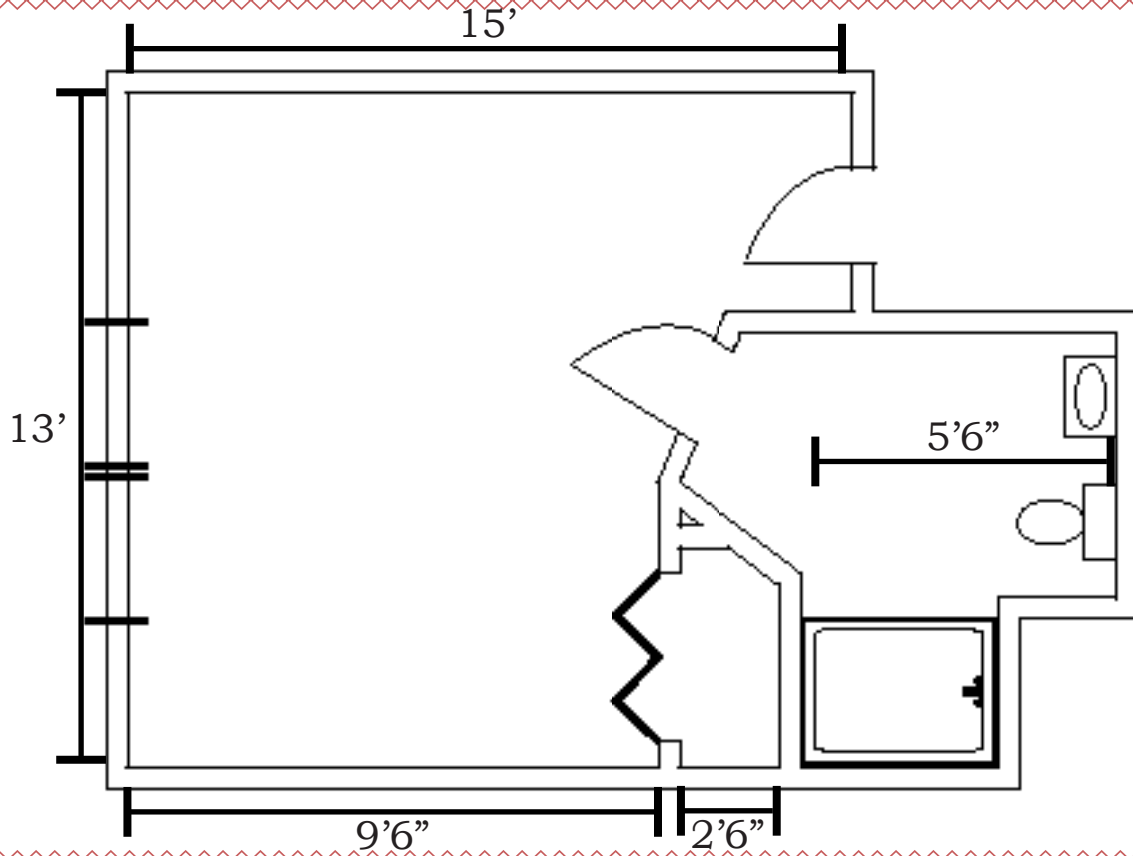
Date: _____ **Total:** _____

Developed For: _____



Apprx. 221 square feet

Magnolia Apartments: 6, 15



SERVICES INCLUDE:

- 24-hour assistance
- *CareSteps* personal care plan
 - Ongoing Checks
 - Scheduled & unscheduled nurse practitioner
 - Scheduled podiatrist visits
 - Medication purchasing & assistance
 - Quarterly & as-needed care evaluations
 - Home health nursing & therapies & Hospice
- Three home-style meals daily
- Planned off & on-site recreation
- Scheduled transportation
- Weekly housekeeping & daily tidy ups
- Weekly personal laundry

APARTMENT FEATURES:

- Emergency alert system
- Individually controlled heat & AC
- Large picture windows
- Private bath with shower with safety bars and seat
- All utilities included
- Special soundproofing between apartments
- Cable TV, internet, and phone ready

Community Fee: _____

Rent: _____

CareSteps: _____

Phone: _____

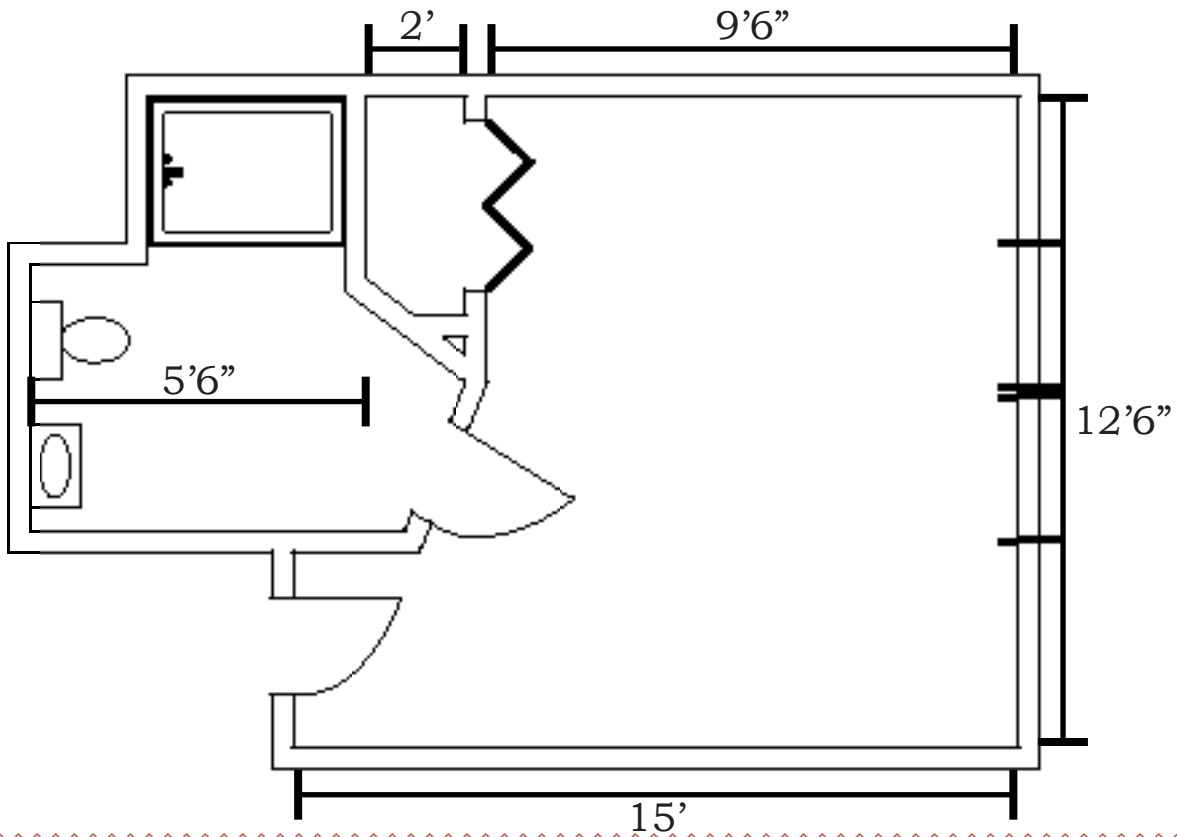
Date: _____ **Total:** _____

Developed For: _____



Apprx. 221 square feet

Magnolia Apartments: 3,4,11,12



SERVICES INCLUDE:

- 24-hour assistance
- *CareSteps* personal care plan
 - Ongoing Checks
 - Scheduled & unscheduled nurse practitioner
 - Scheduled podiatrist visits
 - Medication purchasing & assistance
 - Quarterly & as-needed care evaluations
 - Home health nursing & therapies & Hospice
- Three home-style meals daily
- Planned off & on-site recreation
- Scheduled transportation
- Weekly housekeeping & daily tidy ups
- Weekly personal laundry

APARTMENT FEATURES:

- Emergency alert system
- Individually controlled heat & AC
- Large picture windows
- Private bath with shower with safety bars and seat
- All utilities included
- Special soundproofing between apartments
- Cable TV, internet, and phone ready

Community Fee: _____

Rent: _____

***CareSteps*:** _____

Phone: _____

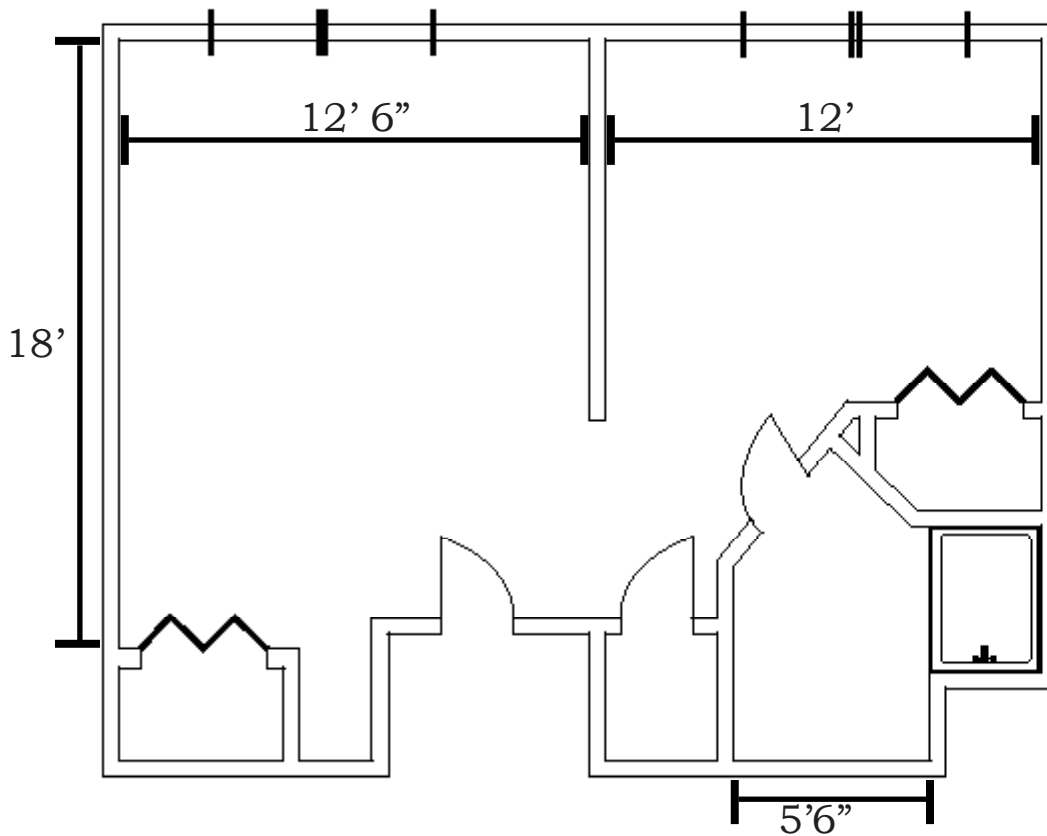
Date: _____ **Total:** _____

Developed For: _____



Apprx. 438 square feet

Magnolia Apartments: 7,8,16,17



SERVICES INCLUDE:

- 24-hour assistance
- *CareSteps* personal care plan
 - Ongoing Checks
 - Scheduled & unscheduled nurse practitioner
 - Scheduled podiatrist visits
 - Medication purchasing & assistance
 - Quarterly & as-needed care evaluations
 - Home health nursing & therapies & Hospice
- Three home-style meals daily
- Planned off & on-site recreation
- Scheduled transportation
- Weekly housekeeping & daily tidy ups
- Weekly personal laundry

APARTMENT FEATURES:

- Emergency alert system
- Individually controlled heat & AC
- Large picture windows
- Private bath with shower with safety bars and seat
- All utilities included
- Special soundproofing between apartments
- Cable TV, internet, and phone ready

Community Fee: _____

Rent: _____

***CareSteps*:** _____

Phone: _____

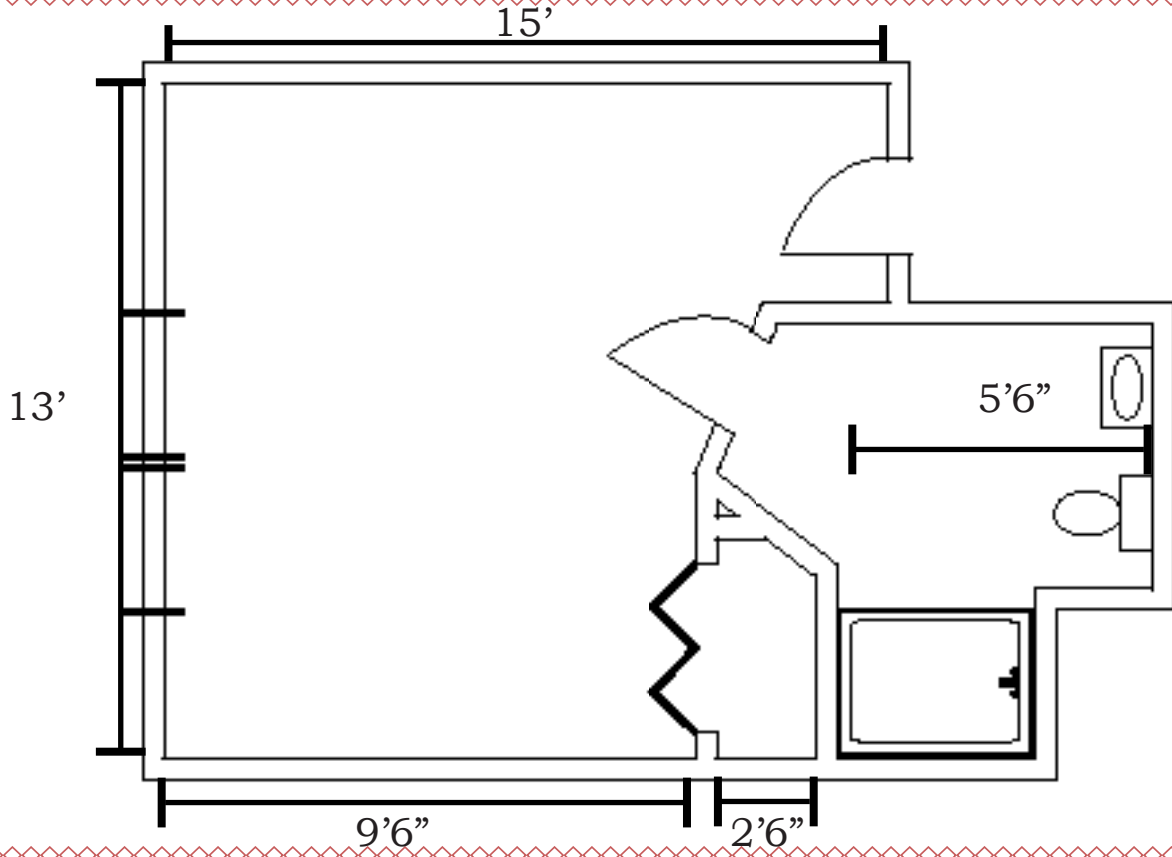
Date: _____ **Total:** _____

Developed For: _____



Apprx. 221 square feet

Magnolia Apartments: 5,14



SERVICES INCLUDE:

- 24-hour assistance
- *CareSteps* personal care plan
 - Ongoing Checks
 - Scheduled & unscheduled nurse practitioner
 - Scheduled podiatrist visits
 - Medication purchasing & assistance
 - Quarterly & as-needed care evaluations
 - Home health nursing & therapies & Hospice
- Three home-style meals daily
- Planned off & on-site recreation
- Scheduled transportation
- Weekly housekeeping & daily tidy ups
- Weekly personal laundry

APARTMENT FEATURES:

- Emergency alert system
- Individually controlled heat & AC
- Large picture windows
- Private bath with shower with safety bars and seat
- All utilities included
- Special soundproofing between apartments
- Cable TV, internet, and phone ready

Community Fee: _____

Rent: _____

CareSteps: _____

Phone: _____

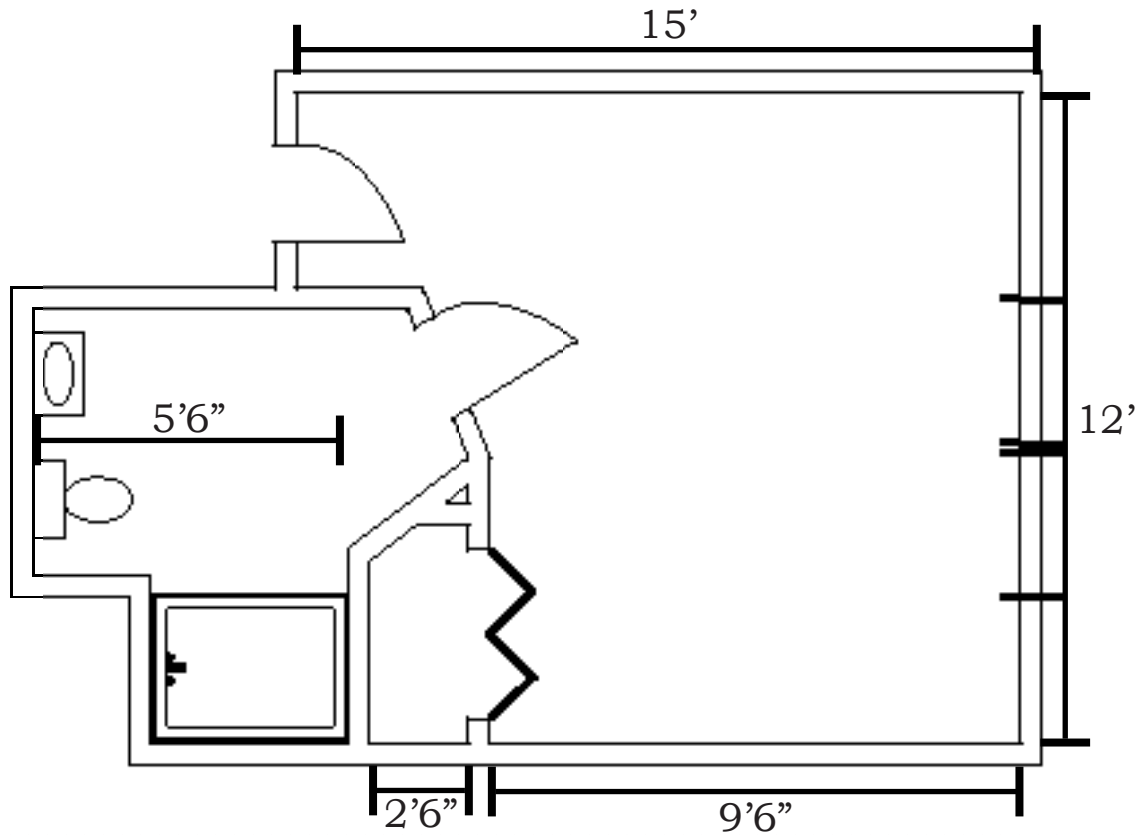
Date: _____ **Total:** _____

Developed For: _____



Apprx. 221 square feet

Oakleaf Apartments: 1,2,9,10



SERVICES INCLUDE:

- 24-hour assistance
- *CareSteps* personal care plan
 - Ongoing Checks
 - Scheduled & unscheduled nurse practitioner
 - Scheduled podiatrist visits
 - Medication purchasing & assistance
 - Quarterly & as-needed care evaluations
 - Home health nursing & therapies & Hospice
- Three home-style meals daily
- Planned off & on-site recreation
- Scheduled transportation
- Weekly housekeeping & daily tidy ups
- Weekly personal laundry

APARTMENT FEATURES:

- Emergency alert system
- Individually controlled heat & AC
- Large picture windows
- Private bath with shower with safety bars and seat
- All utilities included
- Special soundproofing between apartments
- Cable TV, internet, and phone ready

Community Fee: _____

Rent: _____

***CareSteps*:** _____

Phone: _____

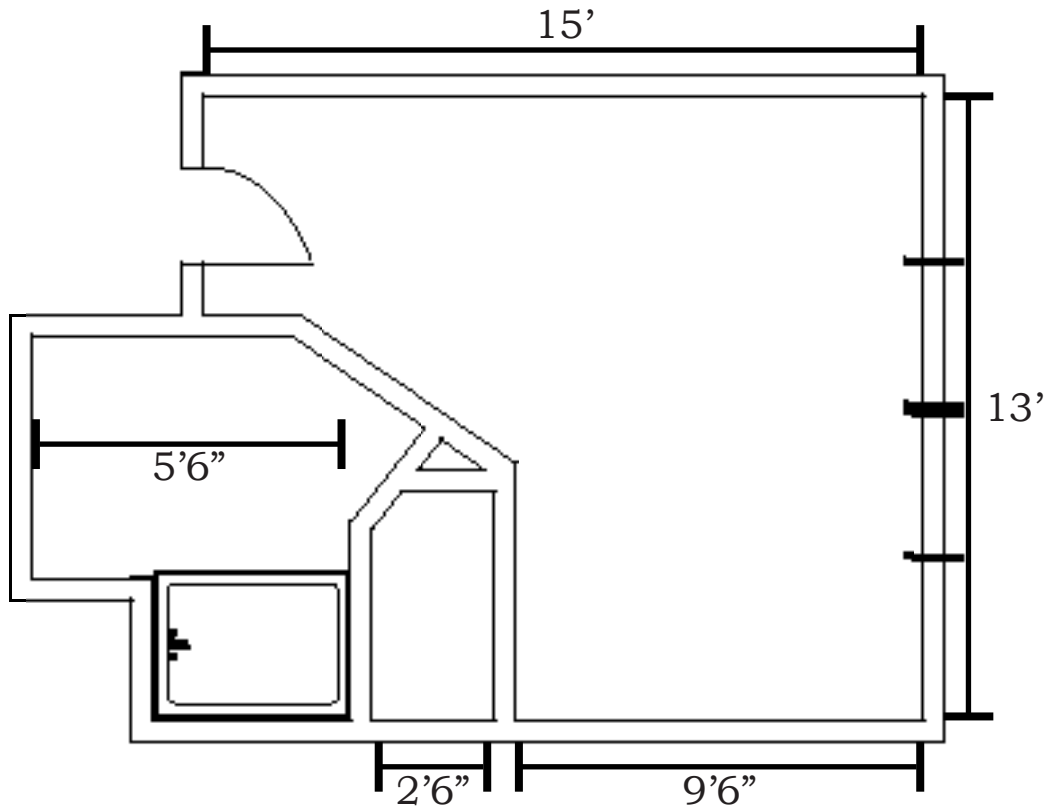
Date: _____ **Total:** _____

Developed For: _____



Apprx. 221 square feet

Oakleaf Apartments: 3,4,11,12



SERVICES INCLUDE:

- 24-hour assistance
- *CareSteps* personal care plan
 - Ongoing Checks
 - Scheduled & unscheduled nurse practitioner
 - Scheduled podiatrist visits
 - Medication purchasing & assistance
 - Quarterly & as-needed care evaluations
 - Home health nursing & therapies & Hospice
- Three home-style meals daily
- Planned off & on-site recreation
- Scheduled transportation
- Weekly housekeeping & daily tidy ups
- Weekly personal laundry

APARTMENT FEATURES:

- Emergency alert system
- Individually controlled heat & AC
- Large picture windows
- Private bath with shower with safety bars and seat
- All utilities included
- Special soundproofing between apartments
- Cable TV, internet, and phone ready

Community Fee: _____

Rent: _____

CareSteps: _____

Phone: _____

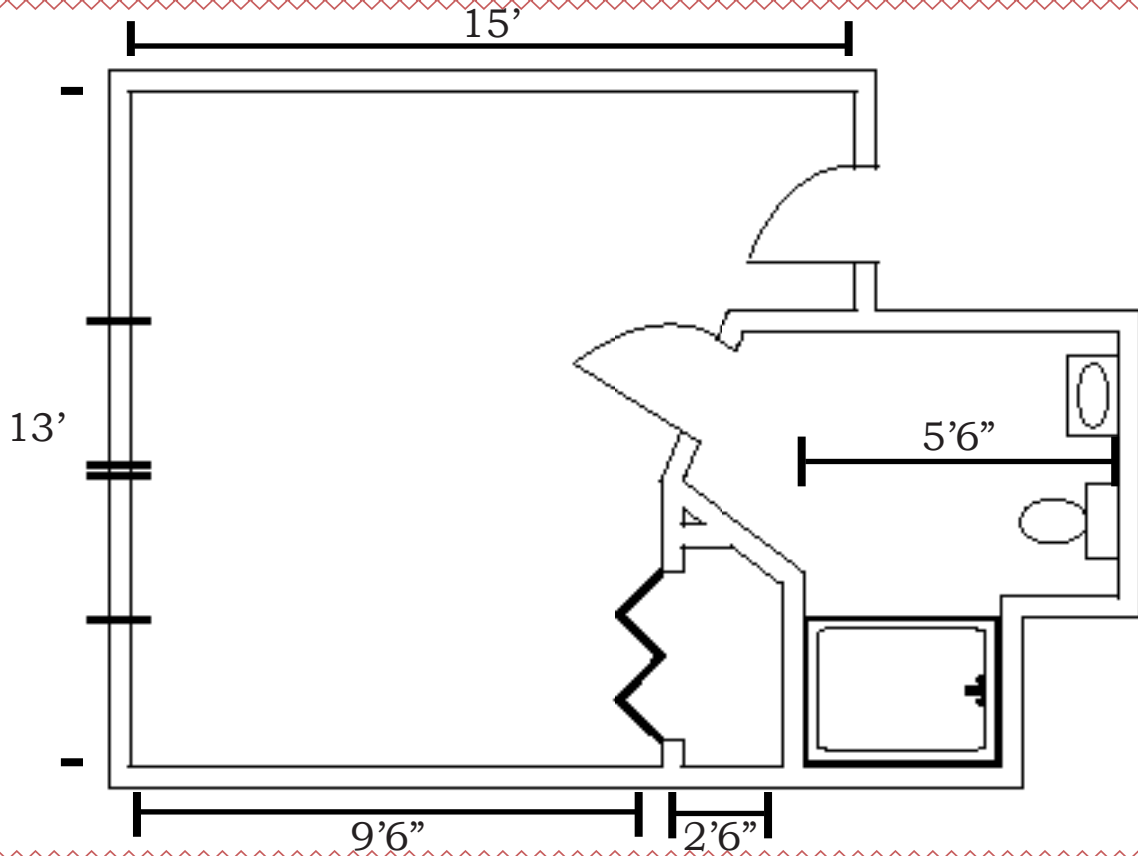
Date: _____ **Total:** _____

Developed For: _____



Apprx. 221 square feet

Oakleaf Apartments: 6, 15



SERVICES INCLUDE:

- 24-hour assistance
- *CareSteps* personal care plan
 - Ongoing Checks
 - Scheduled & unscheduled nurse practitioner
 - Scheduled podiatrist visits
 - Medication purchasing & assistance
 - Quarterly & as-needed care evaluations
 - Home health nursing & therapies & Hospice
- Three home-style meals daily
- Planned off & on-site recreation
- Scheduled transportation
- Weekly housekeeping & daily tidy ups
- Weekly personal laundry

APARTMENT FEATURES:

- Emergency alert system
- Individually controlled heat & AC
- Large picture windows
- Private bath with shower with safety bars and seat
- All utilities included
- Special soundproofing between apartments
- Cable TV, internet, and phone ready

Community Fee: _____

Rent: _____

CareSteps: _____

Phone: _____

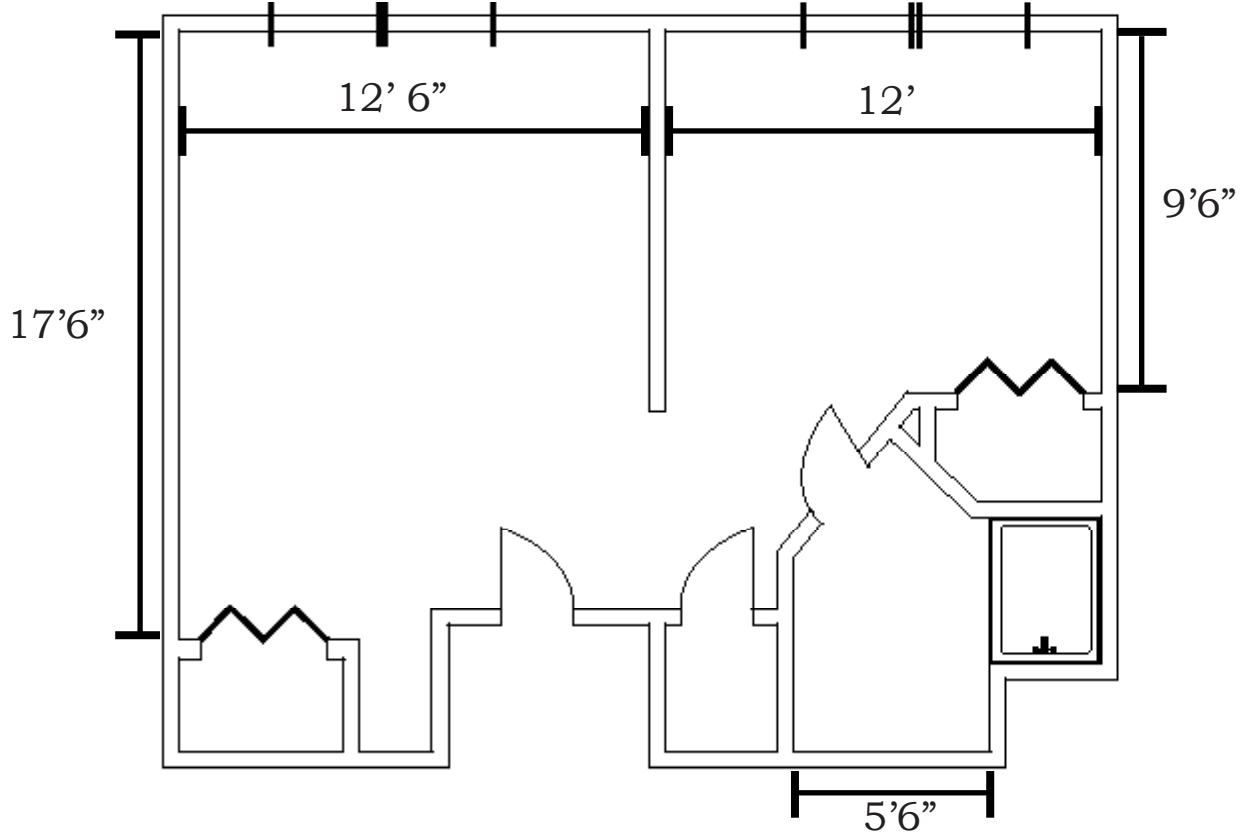
Date: _____ **Total:** _____

Developed For: _____



Apprx. 438 square feet

Oakleaf Apartments: 7,8,16,17



SERVICES INCLUDE:

- 24-hour assistance
- *CareSteps* personal care plan
 - Ongoing Checks
 - Scheduled & unscheduled nurse practitioner
 - Scheduled podiatrist visits
 - Medication purchasing & assistance
 - Quarterly & as-needed care evaluations
 - Home health nursing & therapies & Hospice
- Three home-style meals daily
- Planned off & on-site recreation
- Scheduled transportation
- Weekly housekeeping & daily tidy ups
- Weekly personal laundry

APARTMENT FEATURES:

- Emergency alert system
- Individually controlled heat & AC
- Large picture windows
- Private bath with shower with safety bars and seat
- All utilities included
- Special soundproofing between apartments
- Cable TV, internet, and phone ready

Community Fee: _____

Rent: _____

***CareSteps*:** _____

Phone: _____

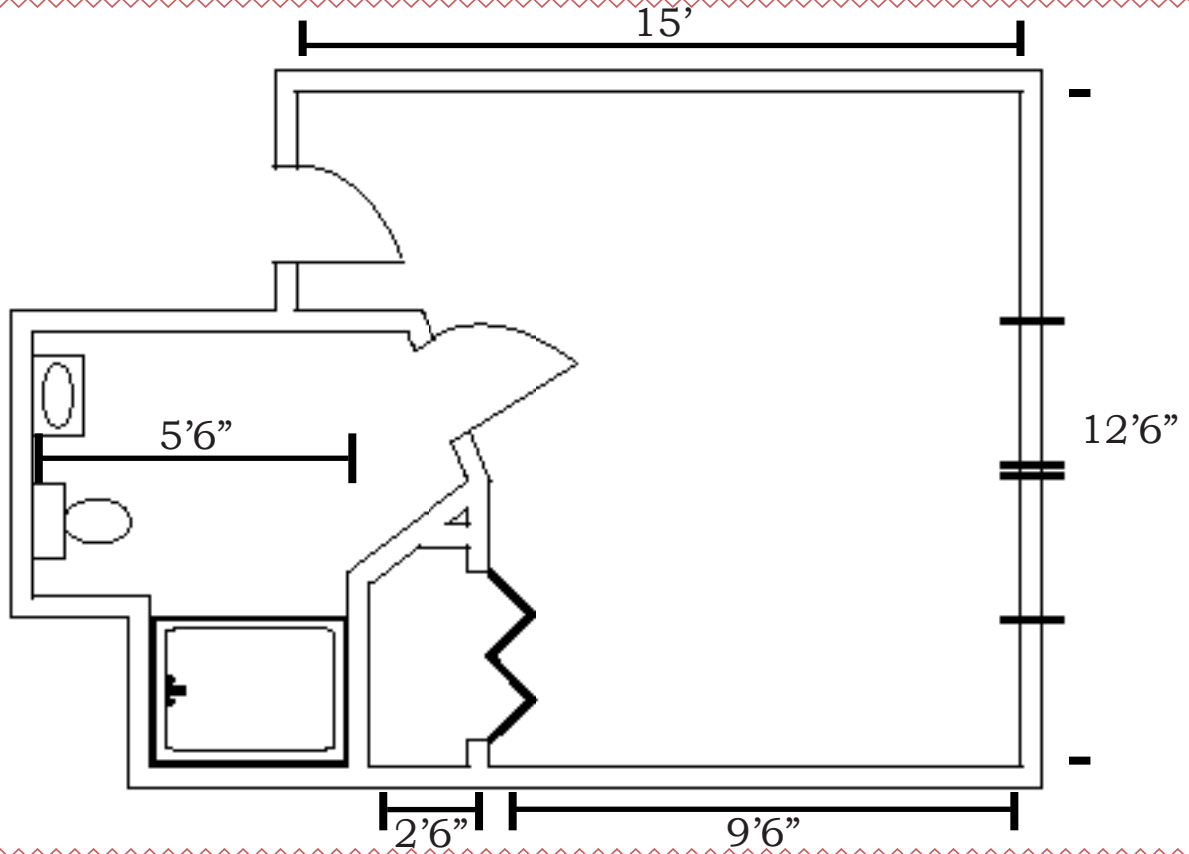
Date: _____ **Total:** _____

Developed For: _____



Apprx. 221 square feet

Oakleaf Apartments: 5, 14



SERVICES INCLUDE:

- 24-hour assistance
- *CareSteps* personal care plan
 - Ongoing Checks
 - Scheduled & unscheduled nurse practitioner
 - Scheduled podiatrist visits
 - Medication purchasing & assistance
 - Quarterly & as-needed care evaluations
 - Home health nursing & therapies & Hospice
- Three home-style meals daily
- Planned off & on-site recreation
- Scheduled transportation
- Weekly housekeeping & daily tidy ups
- Weekly personal laundry

APARTMENT FEATURES:

- Emergency alert system
- Individually controlled heat & AC
- Large picture windows
- Private bath with shower with safety bars and seat
- All utilities included
- Special soundproofing between apartments
- Cable TV, internet, and phone ready

Community Fee: _____

Rent: _____

CareSteps: _____

Phone: _____

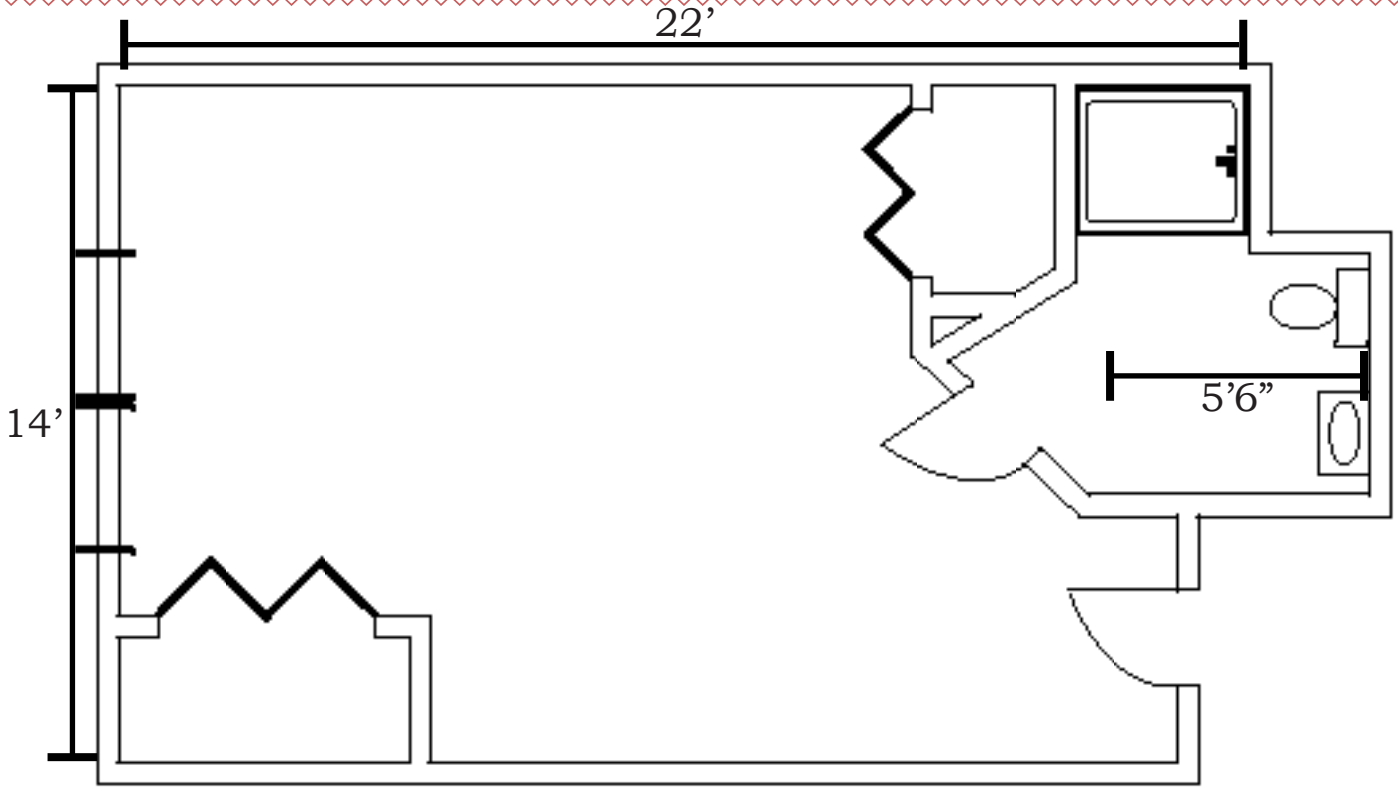
Date: _____ **Total:** _____

Developed For: _____



Apprx. 330 square feet

Ivy Apartment: 1



SERVICES INCLUDE:

- 24-hour assistance
- *CareSteps* personal care plan
 - Ongoing Checks
 - Scheduled & unscheduled nurse practitioner
 - Scheduled podiatrist visits
 - Medication purchasing & assistance
 - Quarterly & as-needed care evaluations
 - Home health nursing & therapies & Hospice
- Three home-style meals daily
- Planned off & on-site recreation
- Scheduled transportation
- Weekly housekeeping & daily tidy ups
- Weekly personal laundry

APARTMENT FEATURES:

- Emergency alert system
- Individually controlled heat & AC
- Large picture windows
- Private bath with shower with safety bars and seat
- All utilities included
- Special soundproofing between apartments
- Cable TV, internet, and phone ready

Community Fee: _____

Rent: _____

***CareSteps*:** _____

Phone: _____

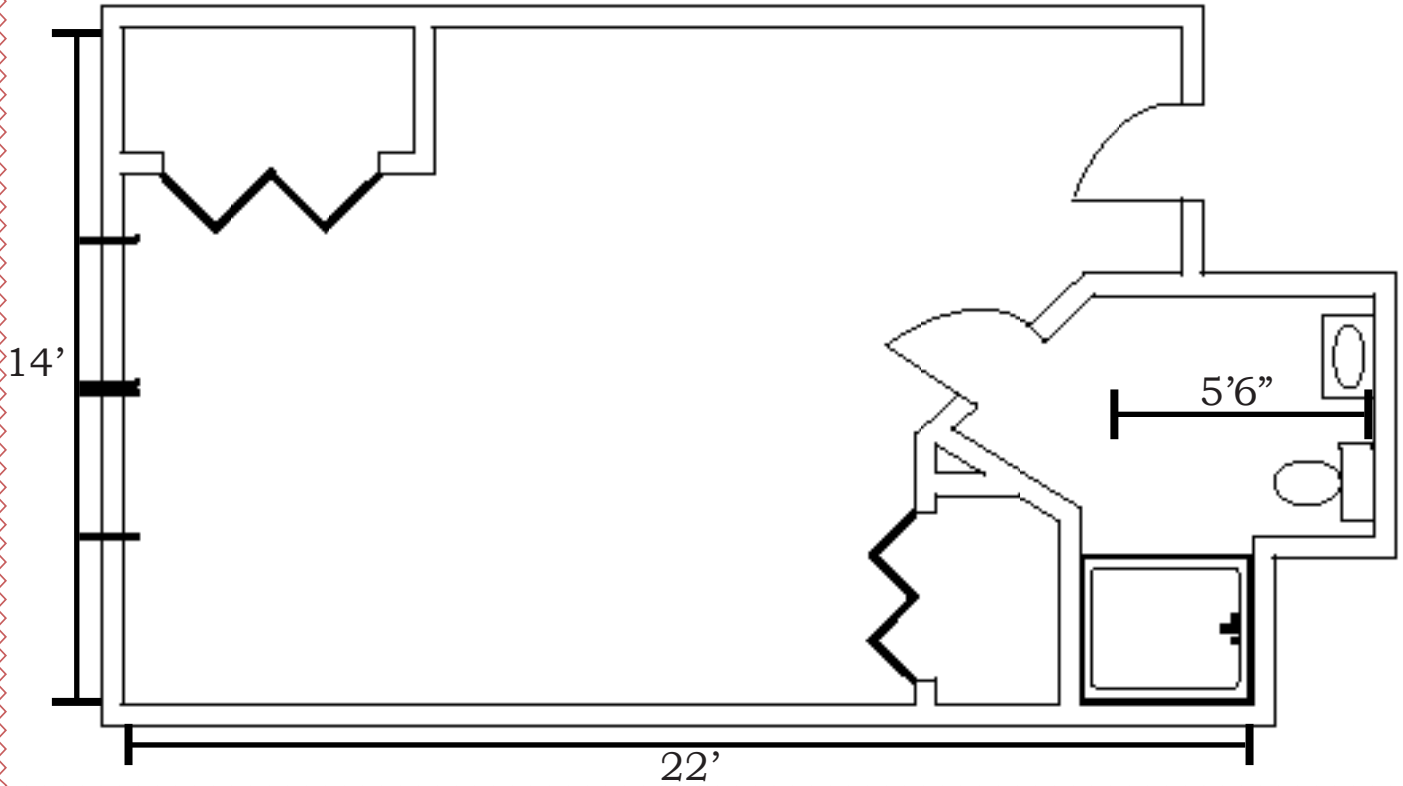
Date: _____ **Total:** _____

Developed For: _____



Apprx. 330 square feet

Ivy Apartment: 2



SERVICES INCLUDE:

- 24-hour assistance
- *CareSteps* personal care plan
 - Ongoing Checks
 - Scheduled & unscheduled nurse practitioner
 - Scheduled podiatrist visits
 - Medication purchasing & assistance
 - Quarterly & as-needed care evaluations
 - Home health nursing & therapies & Hospice
- Three home-style meals daily
- Planned off & on-site recreation
- Scheduled transportation
- Weekly housekeeping & daily tidy ups
- Weekly personal laundry

APARTMENT FEATURES:

- Emergency alert system
- Individually controlled heat & AC
- Large picture windows
- Private bath with shower with safety bars and seat
- All utilities included
- Special soundproofing between apartments
- Cable TV, internet, and phone ready

Community Fee: _____

Rent: _____

***CareSteps*:** _____

Phone: _____

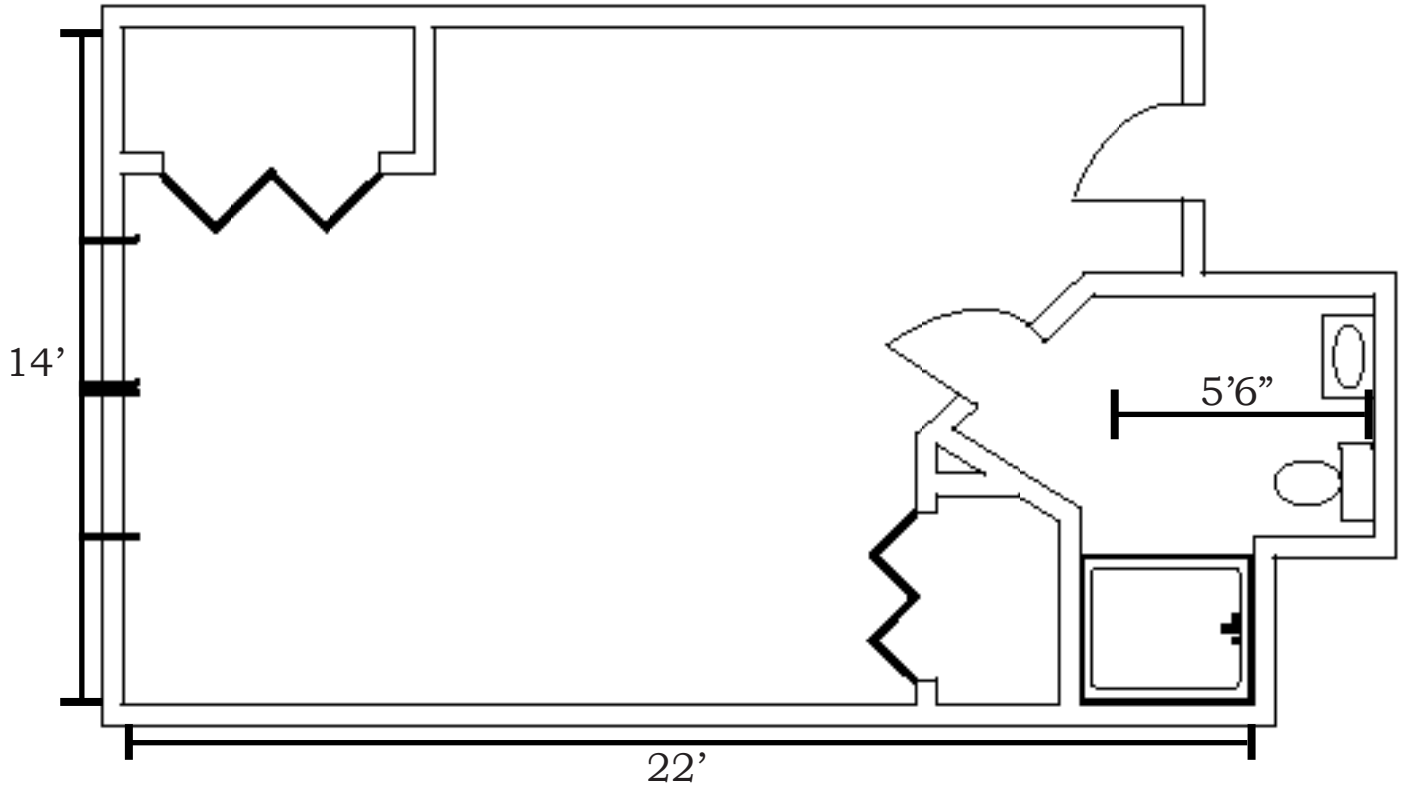
Date: _____ **Total:** _____

Developed For: _____



Apprx. 330 square feet

Ivy Apartment: 3



SERVICES INCLUDE:

- 24-hour assistance
- *CareSteps* personal care plan
 - Ongoing Checks
 - Scheduled & unscheduled nurse practitioner
 - Scheduled podiatrist visits
 - Medication purchasing & assistance
 - Quarterly & as-needed care evaluations
 - Home health nursing & therapies & Hospice
- Three home-style meals daily
- Planned off & on-site recreation
- Scheduled transportation
- Weekly housekeeping & daily tidy ups
- Weekly personal laundry

APARTMENT FEATURES:

- Emergency alert system
- Individually controlled heat & AC
- Large picture windows
- Private bath with shower with safety bars and seat
- All utilities included
- Special soundproofing between apartments
- Cable TV, internet, and phone ready

Community Fee: _____

Rent: _____

***CareSteps*:** _____

Phone: _____

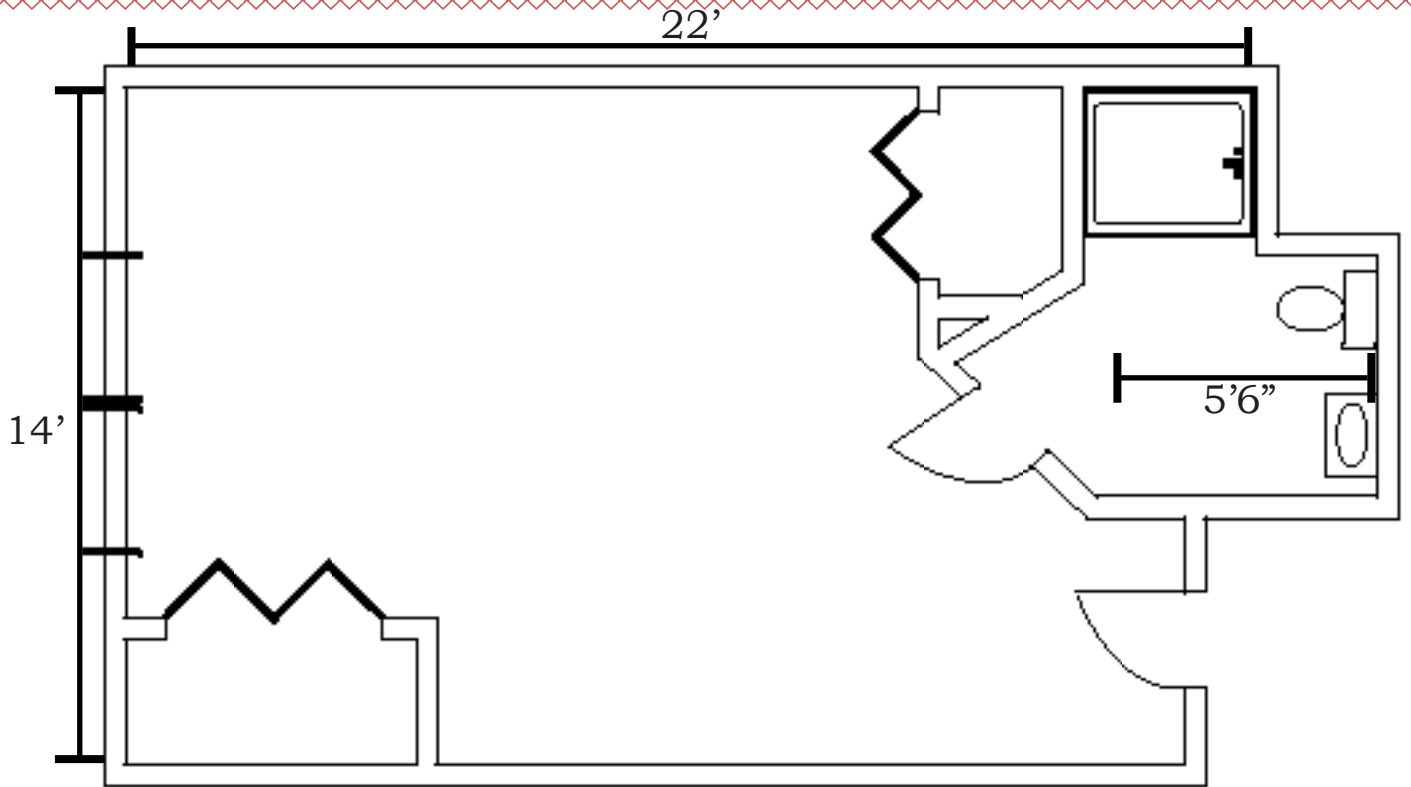
Date: _____ **Total:** _____

Developed For: _____



Apprx. 330 square feet

Ivy Apartment: 4



SERVICES INCLUDE:

- 24-hour assistance
- *CareSteps* personal care plan
 - Ongoing Checks
 - Scheduled & unscheduled nurse practitioner
 - Scheduled podiatrist visits
 - Medication purchasing & assistance
 - Quarterly & as-needed care evaluations
 - Home health nursing & therapies & Hospice
- Three home-style meals daily
- Planned off & on-site recreation
- Scheduled transportation
- Weekly housekeeping & daily tidy ups
- Weekly personal laundry

APARTMENT FEATURES:

- Emergency alert system
- Individually controlled heat & AC
- Large picture windows
- Private bath with shower with safety bars and seat
- All utilities included
- Special soundproofing between apartments
- Cable TV, internet, and phone ready

Community Fee: _____

Rent: _____

***CareSteps*:** _____

Phone: _____

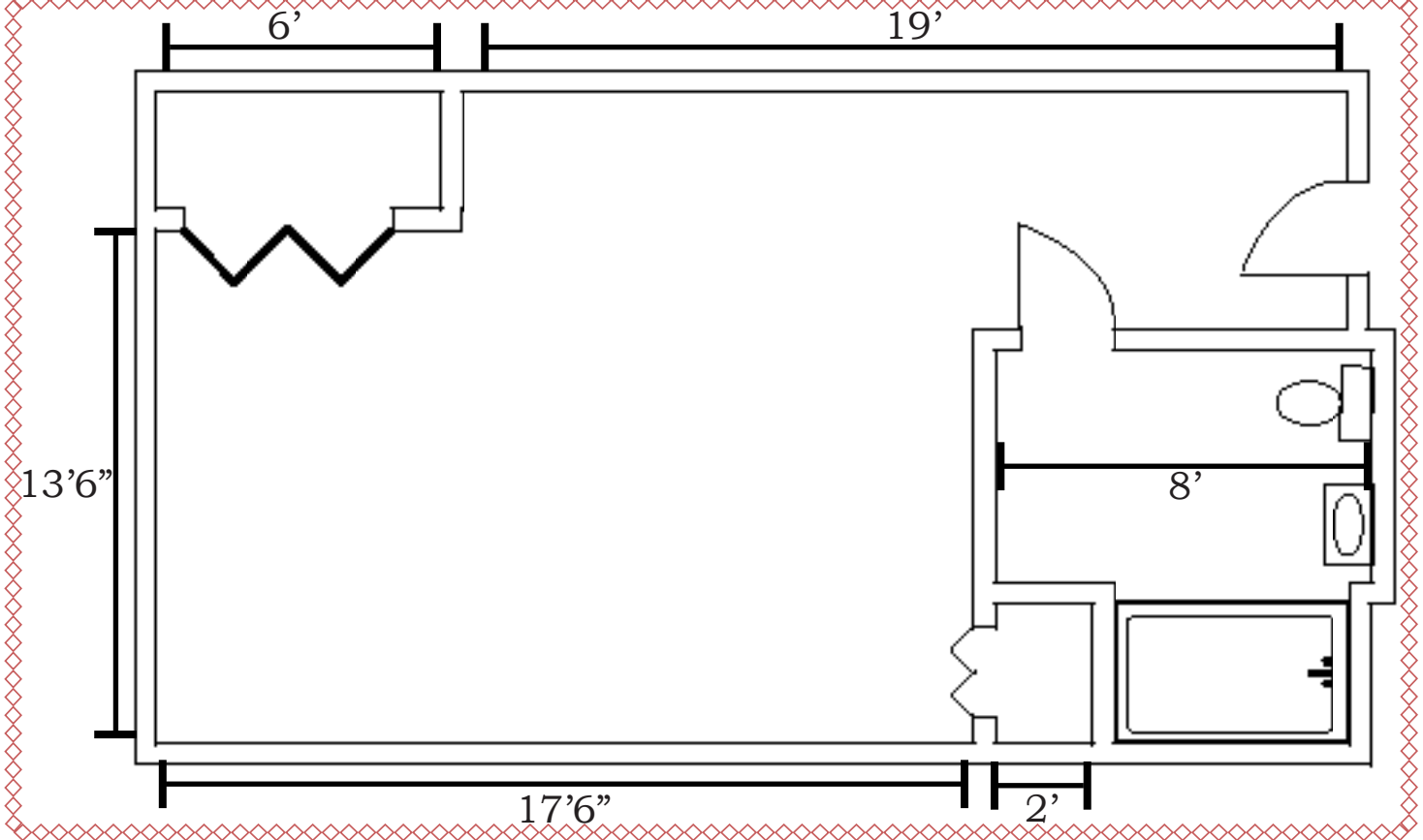
Date: _____ **Total:** _____

Developed For: _____



Apprx. 330-346 square feet

Ivy Apartments: 5,7,17,19



SERVICES INCLUDE:

- 24-hour assistance
- *CareSteps* personal care plan
 - Ongoing Checks
 - Scheduled & unscheduled nurse practitioner
 - Scheduled podiatrist visits
 - Medication purchasing & assistance
 - Quarterly & as-needed care evaluations
 - Home health nursing & therapies & Hospice
- Three home-style meals daily
- Planned off & on-site recreation
- Scheduled transportation
- Weekly housekeeping & daily tidy ups
- Weekly personal laundry

APARTMENT FEATURES:

- Emergency alert system
- Individually controlled heat & AC
- Large picture windows
- Private bath with shower with safety bars and seat
- All utilities included
- Special soundproofing between apartments
- Cable TV, internet, and phone ready

Community Fee: _____

Rent: _____

***CareSteps*:** _____

Phone: _____

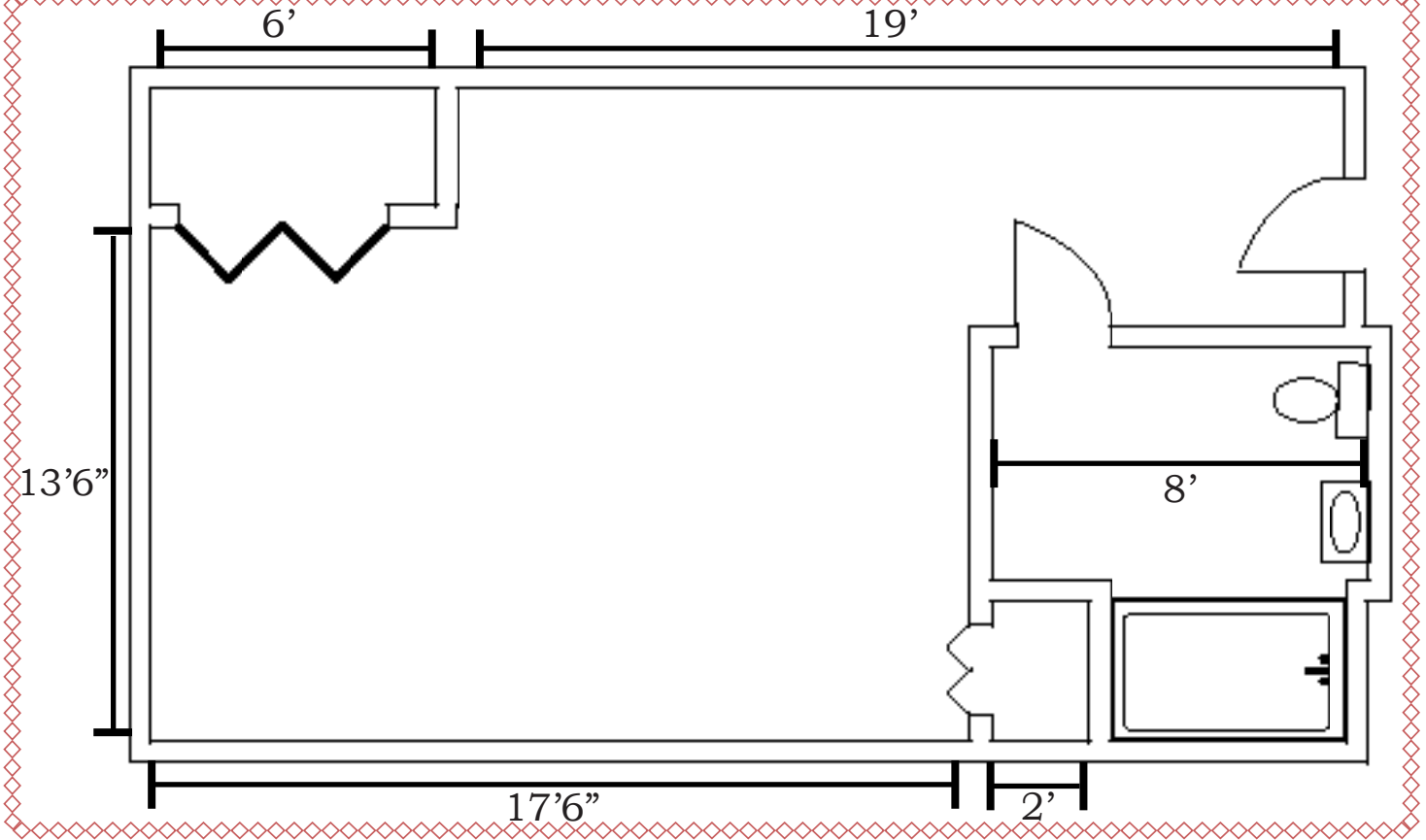
Date: _____ **Total:** _____

Developed For: _____



Apprx. 330-346 square feet

Ivy Apartments: 6,8,18,20



SERVICES INCLUDE:

- 24-hour assistance
- *CareSteps* personal care plan
 - Ongoing Checks
 - Scheduled & unscheduled nurse practitioner
 - Scheduled podiatrist visits
 - Medication purchasing & assistance
 - Quarterly & as-needed care evaluations
 - Home health nursing & therapies & Hospice
- Three home-style meals daily
- Planned off & on-site recreation
- Scheduled transportation
- Weekly housekeeping & daily tidy ups
- Weekly personal laundry

APARTMENT FEATURES:

- Emergency alert system
- Individually controlled heat & AC
- Large picture windows
- Private bath with shower with safety bars and seat
- All utilities included
- Special soundproofing between apartments
- Cable TV, internet, and phone ready

Community Fee: _____

Rent: _____

CareSteps: _____

Phone: _____

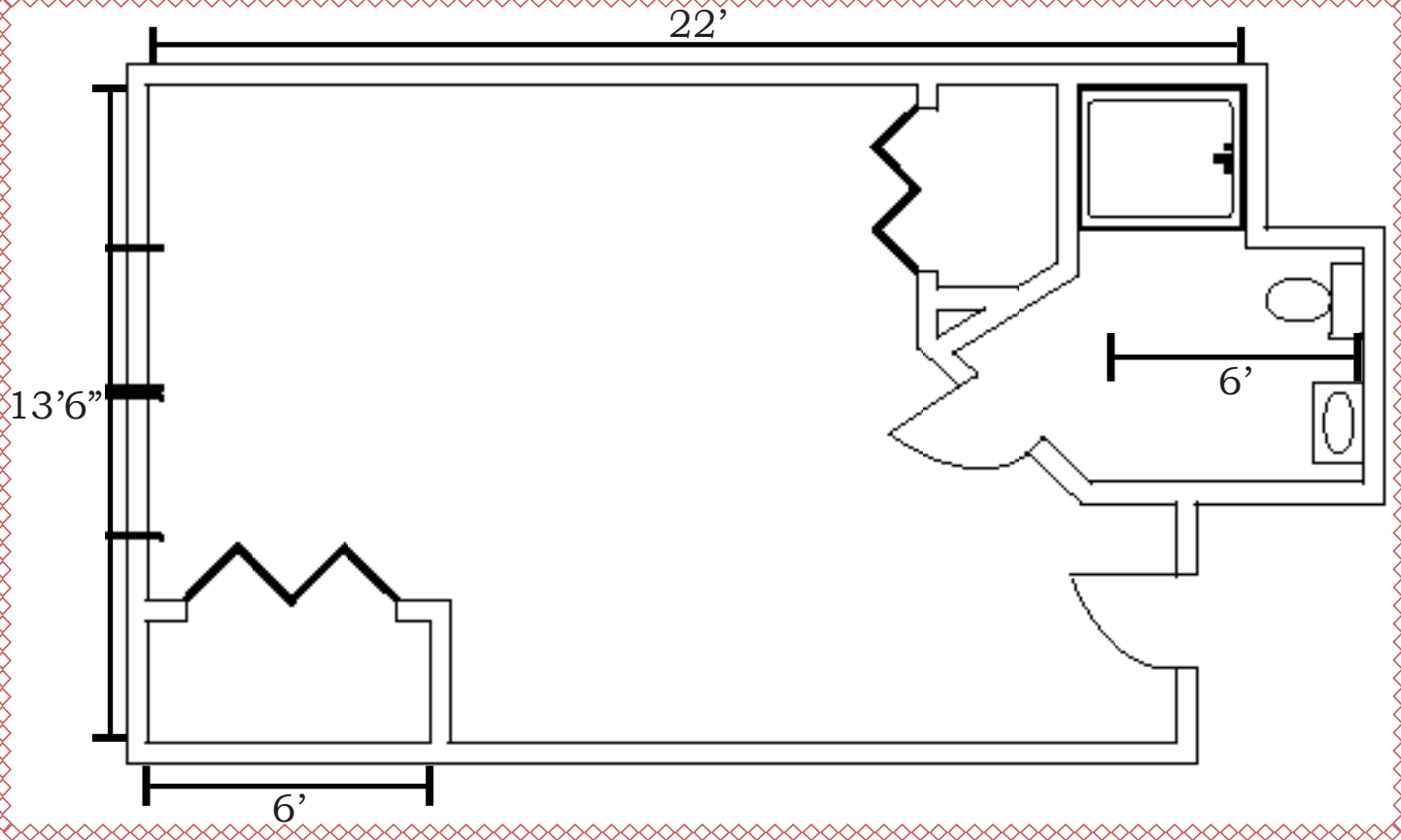
Date: _____ **Total:** _____

Developed For: _____



Apprx. 330 square feet

Ivy Apartments: 9, 11, 13, 15



SERVICES INCLUDE:

- 24-hour assistance
- *CareSteps* personal care plan
 - Ongoing Checks
 - Scheduled & unscheduled nurse practitioner
 - Scheduled podiatrist visits
 - Medication purchasing & assistance
 - Quarterly & as-needed care evaluations
 - Home health nursing & therapies & Hospice
- Three home-style meals daily
- Planned off & on-site recreation
- Scheduled transportation
- Weekly housekeeping & daily tidy ups
- Weekly personal laundry

APARTMENT FEATURES:

- Emergency alert system
- Individually controlled heat & AC
- Large picture windows
- Private bath with shower with safety bars and seat
- All utilities included
- Special soundproofing between apartments
- Cable TV, internet, and phone ready

Community Fee: _____

Rent: _____

***CareSteps*:** _____

Phone: _____

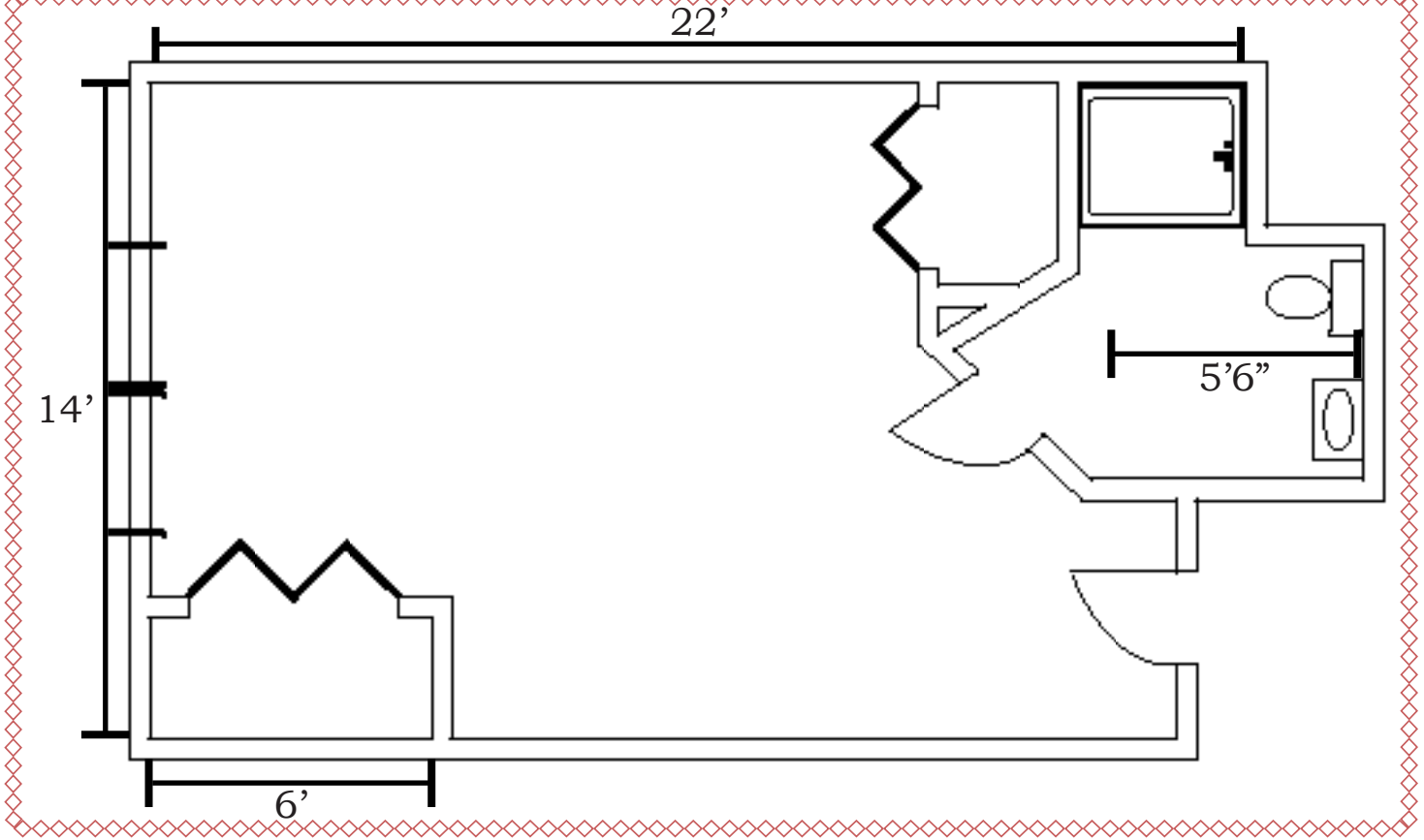
Date: _____ **Total:** _____

Developed For: _____



Apprx. 330 square feet

Ivy Apartments: 10,12



SERVICES INCLUDE:

- 24-hour assistance
- *CareSteps* personal care plan
 - Ongoing Checks
 - Scheduled & unscheduled nurse practitioner
 - Scheduled podiatrist visits
 - Medication purchasing & assistance
 - Quarterly & as-needed care evaluations
 - Home health nursing & therapies & Hospice
- Three home-style meals daily
- Planned off & on-site recreation
- Scheduled transportation
- Weekly housekeeping & daily tidy ups
- Weekly personal laundry

APARTMENT FEATURES:

- Emergency alert system
- Individually controlled heat & AC
- Large picture windows
- Private bath with shower with safety bars and seat
- All utilities included
- Special soundproofing between apartments
- Cable TV, internet, and phone ready

Community Fee: _____

Rent: _____

CareSteps: _____

Phone: _____

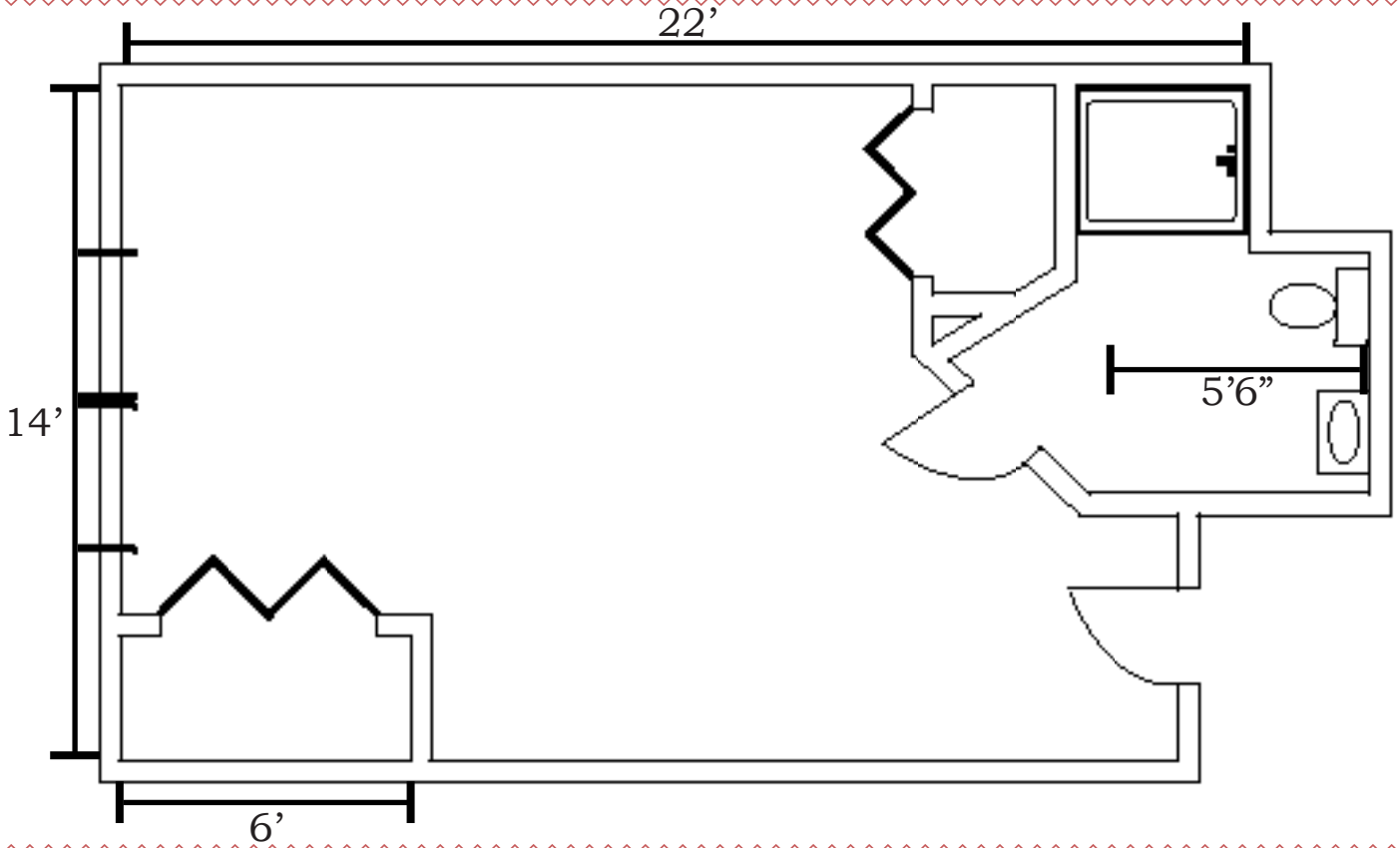
Date: _____ **Total:** _____

Developed For: _____



Apprx. 330 square feet

Ivy Apartments: 14,16



SERVICES INCLUDE:

- 24-hour assistance
- *CareSteps* personal care plan
 - Ongoing Checks
 - Scheduled & unscheduled nurse practitioner
 - Scheduled podiatrist visits
 - Medication purchasing & assistance
 - Quarterly & as-needed care evaluations
 - Home health nursing & therapies & Hospice
- Three home-style meals daily
- Planned off & on-site recreation
- Scheduled transportation
- Weekly housekeeping & daily tidy ups
- Weekly personal laundry

APARTMENT FEATURES:

- Emergency alert system
- Individually controlled heat & AC
- Large picture windows
- Private bath with shower with safety bars and seat
- All utilities included
- Special soundproofing between apartments
- Cable TV, internet, and phone ready

Community Fee: _____

Rent: _____

***CareSteps*:** _____

Phone: _____

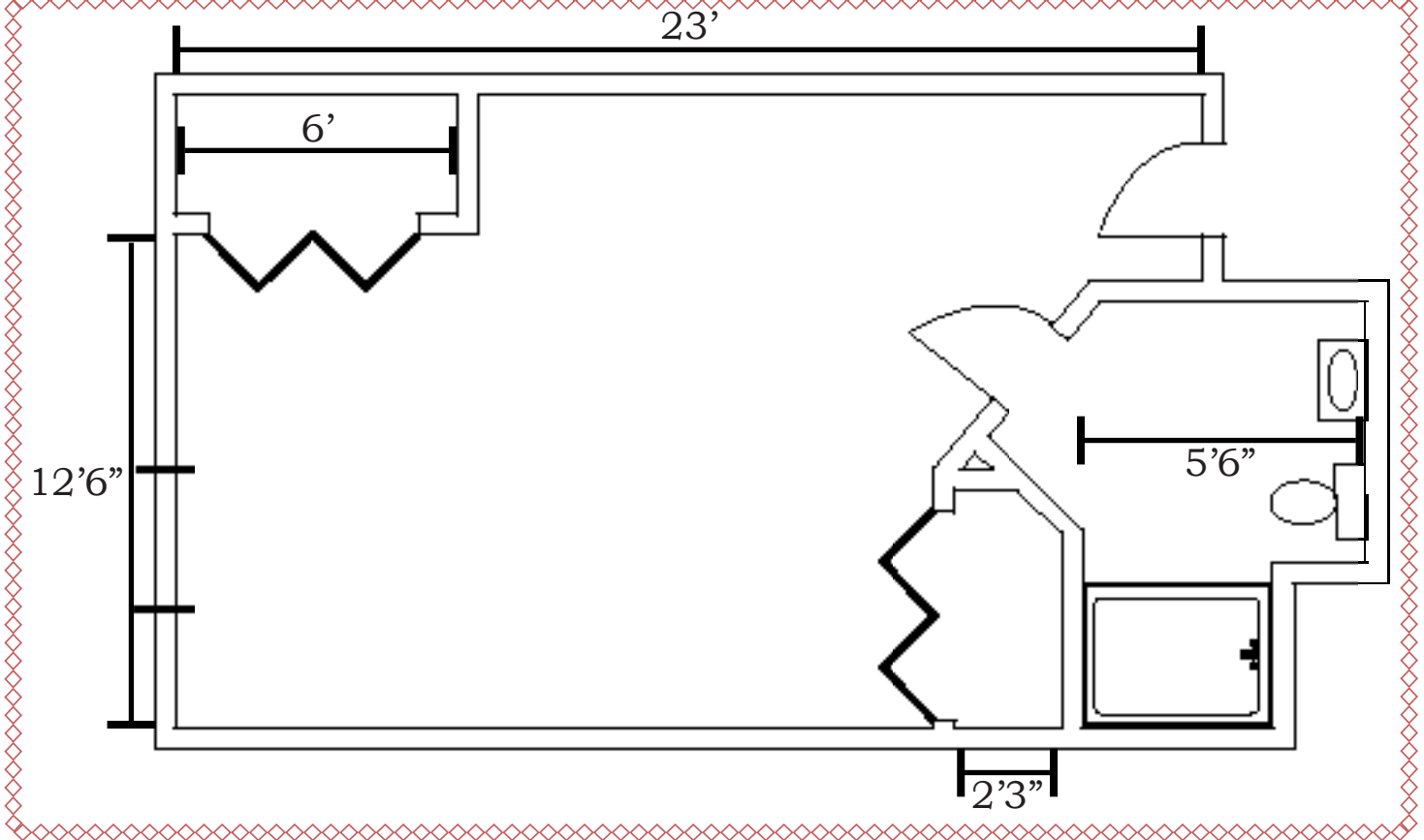
Date: _____ **Total:** _____

Developed For: _____



Apprx. 307 square feet

Ivy Apartments: 21,23



SERVICES INCLUDE:

- 24-hour assistance
- *CareSteps* personal care plan
 - Ongoing Checks
 - Scheduled & unscheduled nurse practitioner
 - Scheduled podiatrist visits
 - Medication purchasing & assistance
 - Quarterly & as-needed care evaluations
 - Home health nursing & therapies & Hospice
- Three home-style meals daily
- Planned off & on-site recreation
- Scheduled transportation
- Weekly housekeeping & daily tidy ups
- Weekly personal laundry

APARTMENT FEATURES:

- Emergency alert system
- Individually controlled heat & AC
- Large picture windows
- Private bath with shower with safety bars and seat
- All utilities included
- Special soundproofing between apartments
- Cable TV, internet, and phone ready

Community Fee: _____

Rent: _____

***CareSteps*:** _____

Phone: _____

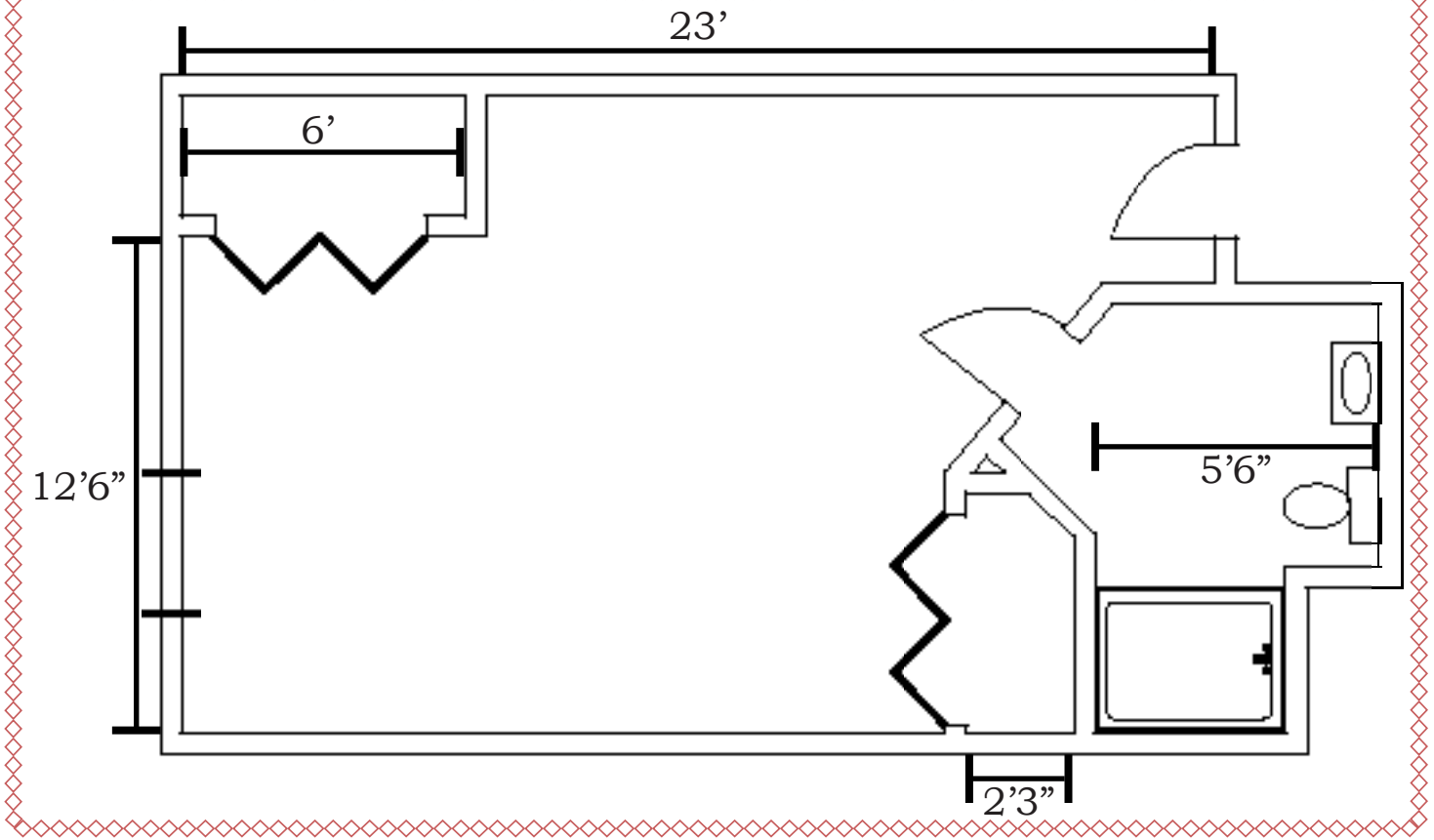
Date: _____ **Total:** _____

Developed For: _____



Apprx. 307 square feet

Ivy Apartments: 22,24



SERVICES INCLUDE:

- 24-hour assistance
- *CareSteps* personal care plan
 - Ongoing Checks
 - Scheduled & unscheduled nurse practitioner
 - Scheduled podiatrist visits
 - Medication purchasing & assistance
 - Quarterly & as-needed care evaluations
 - Home health nursing & therapies & Hospice
- Three home-style meals daily
- Planned off & on-site recreation
- Scheduled transportation
- Weekly housekeeping & daily tidy ups
- Weekly personal laundry

APARTMENT FEATURES:

- Emergency alert system
- Individually controlled heat & AC
- Large picture windows
- Private bath with shower with safety bars and seat
- All utilities included
- Special soundproofing between apartments
- Cable TV, internet, and phone ready

Community Fee: _____

Rent: _____

CareSteps: _____

Phone: _____

Date: _____ **Total:** _____

Developed For: _____

