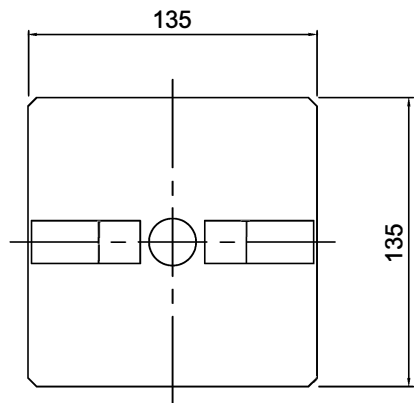
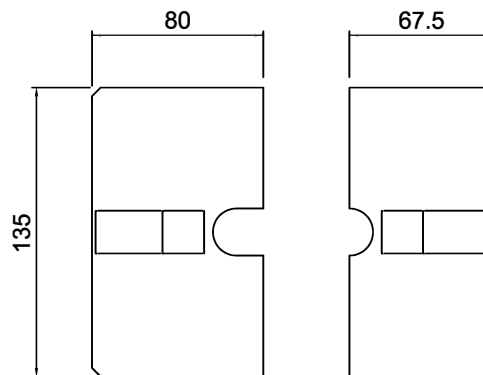


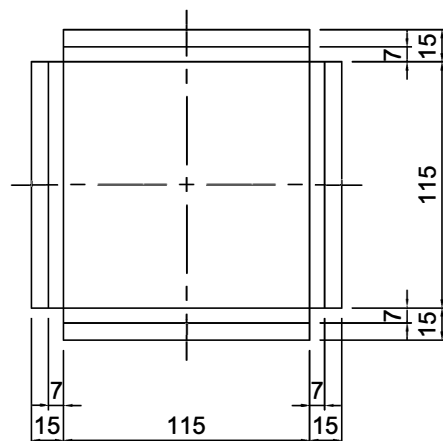
cover side view



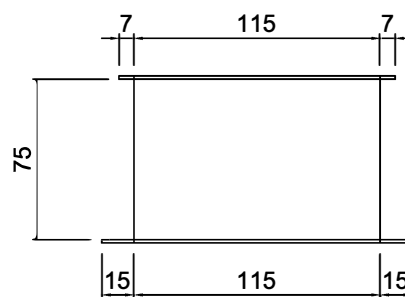
Vertical view



Cover after apart




Body Vertical view



Body Side View

ALL DIMENSIOIS ARE IN MM
 $\delta=0.8\text{mm}$
 MATERIAL: ST12
 Galvanized steel

| | | | | | | | | | |
|-------------|--|------|--|--|----------------|--------|-------|---|--|
| | | | | | BOX DUST DRUNK | | | DTB | |
| | | | | | drawing marker | weight | SCALE |  SERVICE - COMPLIANCE - INTEGRITY | |
| | | | | | S | Kg | | | |
| DRAWN | | DATE | | | SHEET 1 of 1 | | | | |
| CHECK | | DATE | | | | | | | |
| ENG.MECH | | DATE | | | | | | | |
| ENG.MANAGER | | DATE | | | | | | | |