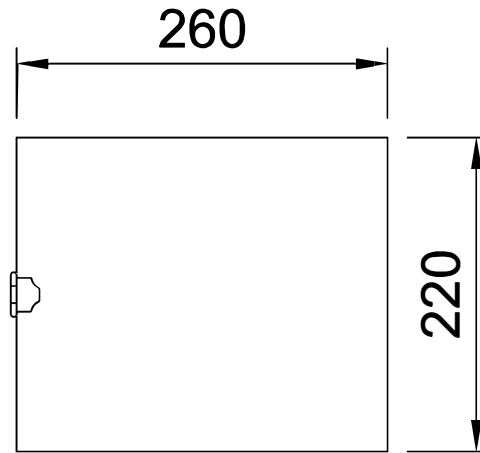
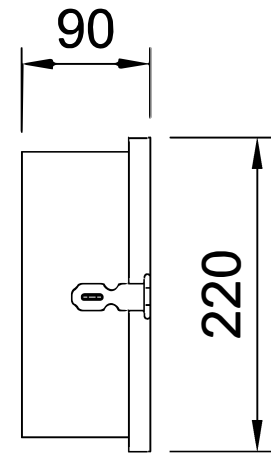


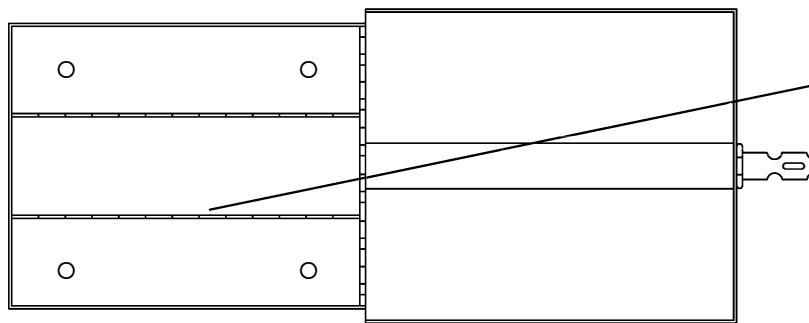
behind



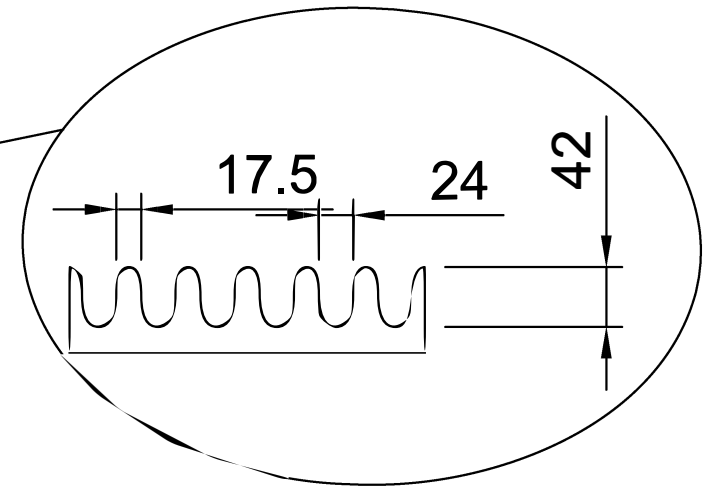
Front



Side view



inside



ALL DIMENSIO S ARE IN MM

$\delta=0.8\text{mm}$

MATERIAL: ST12

•High quality red powder coated finish

						BOX SPARES SPRINKLER		
						12 HEAD		
DRAWN		DATE			drawing marker	weight	SCALE	
CHECK		DATE			S		Kg	
ENG.MECH		DATE			SHEET 1 of 1			
ENG.MANAGER		DATE						

SSB12

**Firequip**

SERVICE - COMPLIANCE - INTEGRITY