

Bronze Butterfly Valve Roll Grooved 175psi

General Description

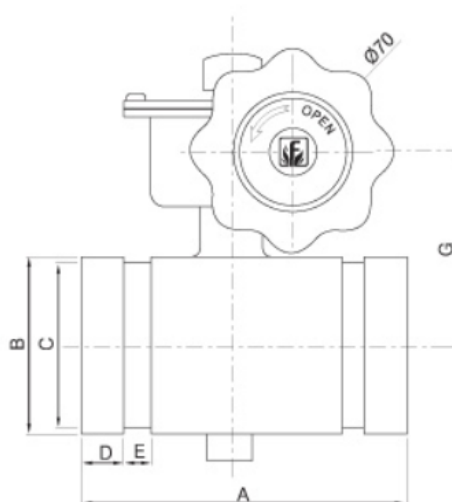
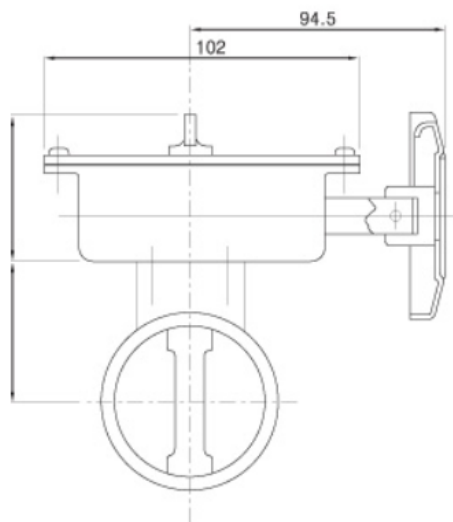
AleumCo Gear operated Roll Grooved butterfly Valve with Tamper Switch is a quarter turn valve designed to initiate a signal at appropriate supervisory equipment to show whether a valve is open or closed. They are suitable for fire protection systems. FM Approved.

Technical Data

- Working Pressure: 175psi (12.5 Bars)
- Maximum Test Pressure: 350psi (25.0 Bars)
- Maximum Temperature: 120°C (250°F)
- Factory installed UL Listed Double Tamper switch for indoor and outdoor use.

Dimensions

Bronze Butterfly Valve Roll Grooved 175psi								
Part No#	Size	A	B	C	D	E	F	G
BV50RGF/175	2"	4.46 (114)	2.41 (60.3)	2.29 (57.15)	0.64 (16)	0.32 (8)	1.96 (49)	3.62 (90.5)
BV65RGF/175	2½"	4.56 (114)	3.0 (75)	2.75 (69.1)	0.64 (16)	0.32 (8)	2.18 (54.5)	3.82 (95.5)



Materials of Primary Components

- ① Body: Bronze
- ② Disc: Bronze EPDM Encapsulated
- ③ Upper Stem: Stainless Steel
- ④ Lower Stem: Stainless Steel
- ⑤ Gear Housing/Cover : Carbon Steel
- ⑥ Hand Wheel: Carbon Steel
- ⑦ Flag Indicator: Bronze
- ⑧ York Mechanism: Carbon Steel
- ⑨ Stem Bushing: Bronze
- ⑩ Conduit Connector: Carbon Steel
- ⑪ O-Rings: EPDM Grade 'E'
- ⑫ Cover Gasket: NBR