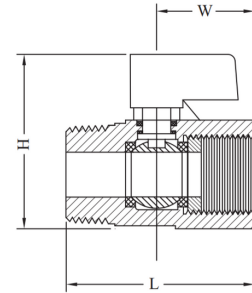


Mini Brass Butterfly Ball Valve



General Description

Mini series reduced bore valve available with M&F and F&F BSP threaded ends. Suitable for air, fuel and other industrial applications.



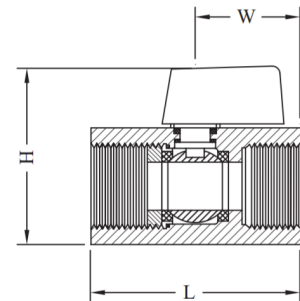
Technical Data

- Maximum Test Pressure: 1500 kPa
- Maximum Temperature: 90°C
- Aluminium Butterfly handle



Materials of Primary Components

- ① Valve Body: DR Brass
- ② Nut: DR Brass
- ③ Seal Ring: PTFE
- ④ Handle: Aluminium
- ⑤ Screw: Stainless Steel
- ⑥ Stem: DR Brass
- ⑦ O-Ring: NBR
- ⑧ Ball: DR Brass



| Code | | Dimensions | | | | | Weight (kg) |
|-------|---------|------------|----|----|----|----|-------------|
| F/F | M/F | Inch | mm | L | H | W | |
| BMV8 | BMV8MF | ¼ | 8 | 40 | 35 | 20 | 0.08 |
| BMV10 | BMV10MF | ⅜ | 10 | 41 | 36 | 20 | 0.08 |
| BMV15 | BMV15MF | ½ | 15 | 45 | 41 | 22 | 0.11 |