

# Pear Band

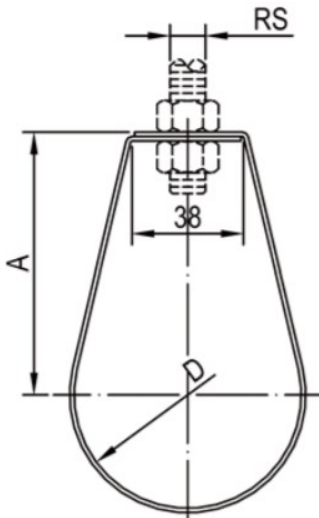


Designed for horizontal suspended steel pipe for fire protection services.

Size range: 20nb to 200nb

Material: Carbon Steel

Finish: Galvanised.



PART No.	Pipe DIA	Rod Size
EPB27	20nb	M10
EPB34	25nb	M10
EPB43	32nb	M10
EPB48	40nb	M10
EPB60	50nb	M10
EPB76	65nb	M12
EPB89	80nb	M12
EPB114	100nb	M12
EPB165	150nb	M12
EPB220	200nb	M12