

Purlin Clamp

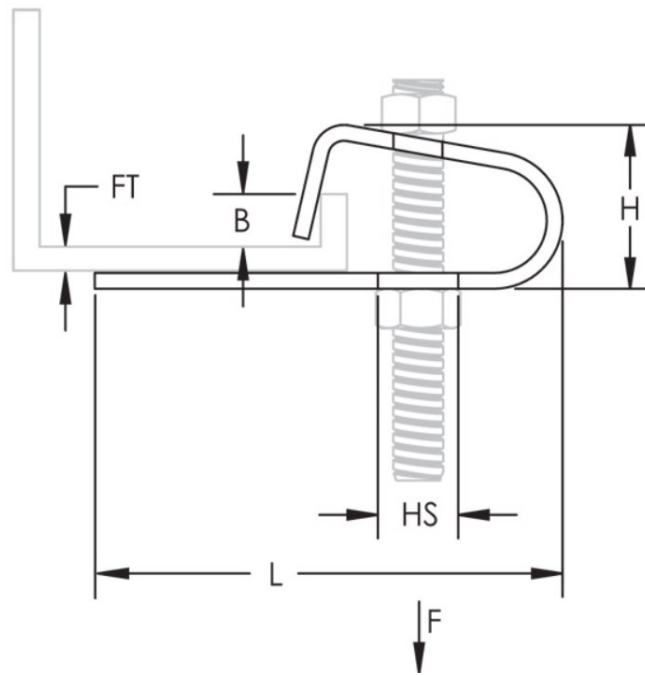


Application: Heavy Duty Hanger for suspension of services from purlin and angle section with threaded rod.

Size Range: M8—M12

Material: Hot rolled steel plates

Finish: Zinc.



D1 Purlin Clamp						
Part #	Rod Size	FT	HS	H	B	Static Load
D1M08	M8	4mm Max	9.5mm	36mm	22mm Max	1200 N
D1M10	M10	4mm Max	11.0mm	36mm	22mm Max	600 N
D1M12	M12	4mm Max	13.5mm	36mm	22mm Max	1200 N