

Flate Plate Washer

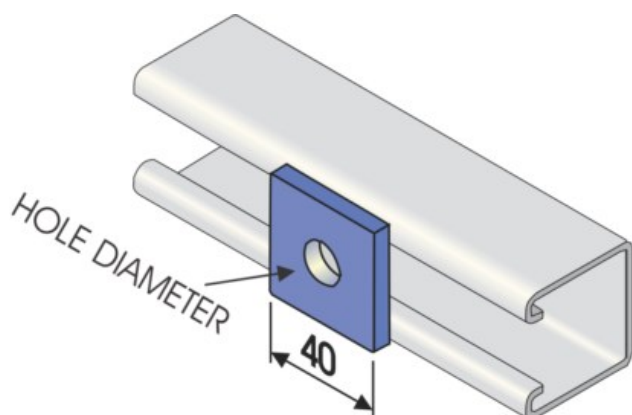
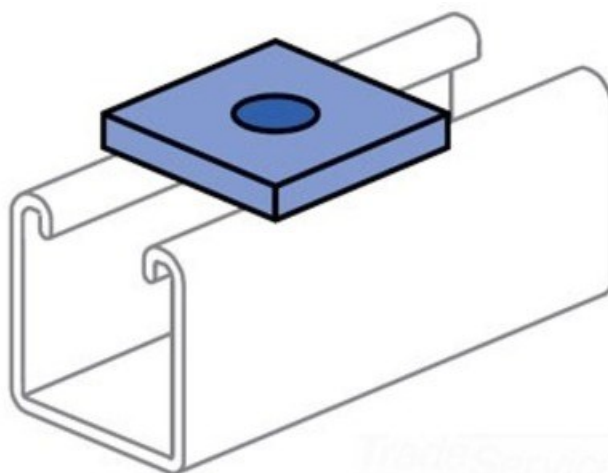


Size Range: M8—M12

Material: Hot rolled steel plates

Finish: Zinc.

Features: Square washer for use with Metal Framing Channel



PART No.	Hole DIA	Size
P1062	9mm	M8
P1063	11mm	M10
P1064	14mm	M12