

Gear operated Roll Grooved Butterfly Valve with Tamper Switch

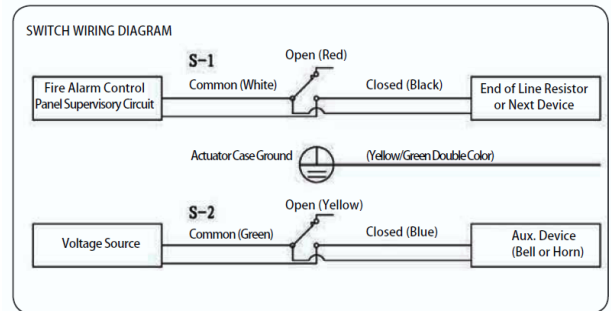


General Description

MECH Gear operated Roll Grooved butterfly Valve with Tamper Switch is a quarter turn valve designed to initiate a signal at appropriate supervisory equipment to show whether a valve is open or closed. They are suitable for fire protection systems. FM Approve/UL Listed.

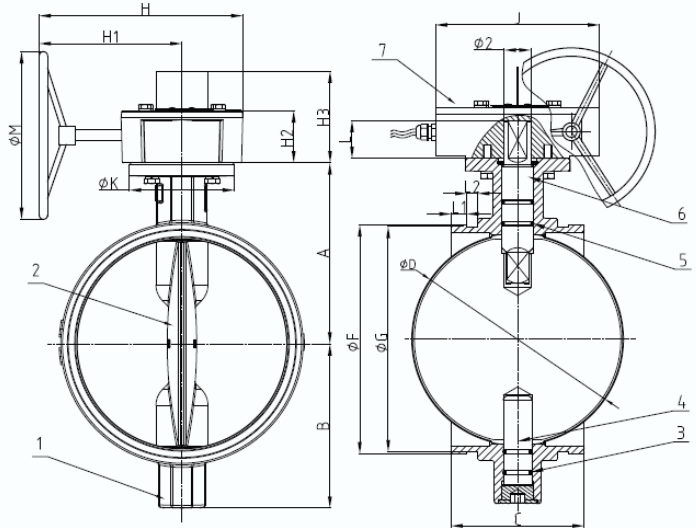
Technical Data

- Working Pressure: PN10/16
- Maximum Test Pressure: 350psi (25.0 Bars)
- Maximum Temperature: 0°C - 80°C
- Coating: Fusion Bonded Epoxy Coating



Materials of Primary Components

- ① Valve Body: Ductile Iron
- ② Disc: Ductile Iron
- ③ O-Ring: NBR
- ④ Stem: Stainless Steel
- ⑤ O-Ring: NBR
- ⑥ Stem: Stainless Steel
- ⑦ Signal Gear Box: Ductile Iron



Code	Size		Dimensions																
	Inch	mm	A	B	C	ØD	ØF	ØG	L1	L2	L	ØK	H	H1	H2	H3	J	ØM	Ø2
BV50RG	2"	50	89	65	81	50.3	60.3	57.15	15.88	7.93	32	90	208	151	65	108	147	150	14
BV565RG	2.5"	65	102	71	97	60.8	73.0	69.09	15.88	7.93	32	90	208	151	65	108	147	150	14
BV80RG	3"	80	109	81	97	76.0	88.9	84.94	15.88	7.93	32	90	208	151	65	108	147	150	14
BV100RG	4"	100	128	95	116	98.5	114.3	110.08	15.88	9.53	32	90	208	151	65	108	147	150	16
BV1050RG	6"	150	153	133	148	148.0	168.3	163.93	15.88	9.53	32	90	208	151	65	108	147	150	20
BV200BV	8"	200	184	164	133	199.0	219.1	214.4	19.05	11.1	45	125	298	223	77	121	184	200	26
BV250RG	10"	250	216	196	159	252.0	273.0	268.28	19.05	12.7	45	125	298	223	77	121	184	200	26