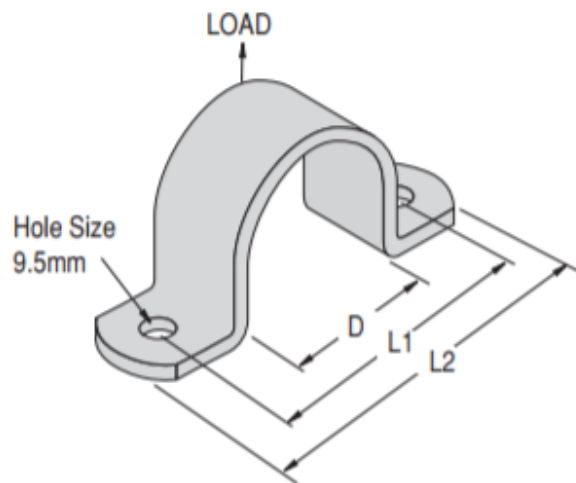


Mechanical Clamp — UN4



PART No.	D (mm)	L1 (mm)	L2 (mm)	W X T
UN4-19	19	59	83	25x3
UN4-21	21	61	85	25x3
UN4-25	25	65	89	25x3
UN4-27	27	67	91	25x3
UN4-34	34	74	98	25x3
UN4-43	43	83	107	25x3
UN4-48	48	88	112	25x3
UN4-60	60	100	124	25x3
UN4-76	76	116	140	25x3
UN4-89	89	129	153	25x3
UN4-114	114	154	178	25x3
UN4-165	165	205	229	25x3

The clip detail is for pipework to be erected hard under rafters or floor joists.

Size range: 20nb to 80nb

Material: Carbon Steel

Finish: Hot Dipped Galvanised

Firequip Pty Ltd
 2 Pike St, Rydalmere, NSW, 2116
www.firequip.com.au
sales@firequip.com.au

Firequip
 SERVICE - COMPLIANCE - INTEGRITY