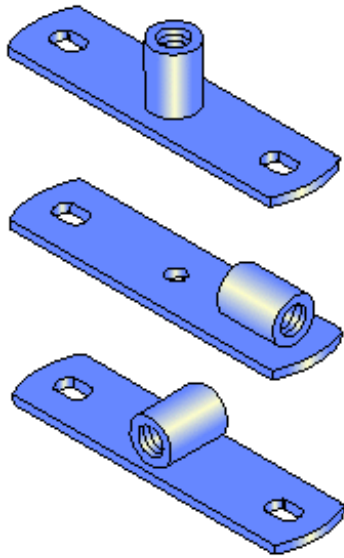


# Flat Mounting Plates

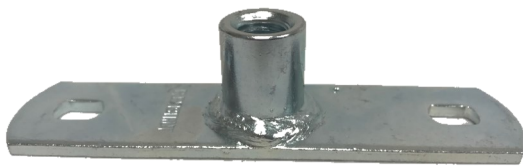


**Size Range: M10—M12**

**Material: Hot rolled steel plates**

**Finish: Zinc.**

**Features: Square washer for use with Metal Framing Channel**



PART No.	Mounting	Thread
CMP10	Centre	M10
CMP12	Centre	M12



PART No.	Mounting	Thread
HMP10	Horizontal	M10
HMP12	Horizontal	M12



PART No.	Mounting	Thread
VMP10	Vertical	M10
VMP12	Vertical	M12