

U-Bolts



Designed for fire protection application.

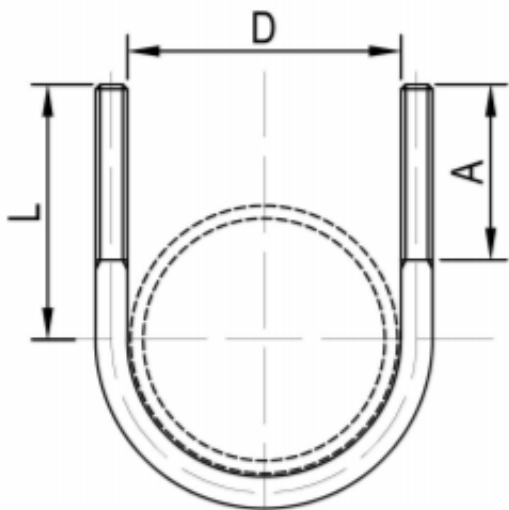
U-Bolts offer support for steel pipes.

Size range: 15nb to 200nb

Material: Carbon Steel

Finish: Galvanised.

Features: includes 2 nuts



PART No.	Pipe DIA	L	A	D
UN14-21	15nb	64	54	22.20
UN14-27	20nb	67	54	28.00
UN14-34	25nb	70	54	34.90
UN14-43	32nb	73	54	43.60
UN14-48	40nb	76	64	49.50
UN14-60	50nb	83	64	61.90
UN14-76	65nb	95	76	77.70
UN14-89	80nb	102	76	90.50
UN14-114	100nb	114	76	115.90
UN14-140	125nb	127	76	142.90
UN14-165	150nb	156	95	171.50
UN14-219	200nb	181	95	222.30
UN14-273	250nb	213	102	276.20