

Spring loaded Y Type Check Valve

General Description

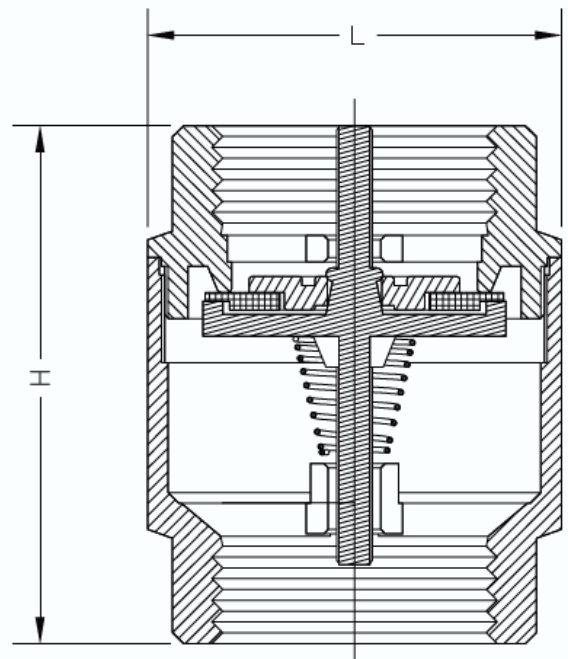
Spring loaded Y type check Valves are made for backflow prevention. The internal spring creates a fast and firm seal, while regulating the valves pressure . Applications - Can be fitted in horizontal, vertical or oblique position. Suitable for Hot/Cold water, compresses Air, Oils. UL listed and FM approved.

Technical Data

- **Air** - Working Temp: Min -20°C Max 110°C
- **Water** - Working Temp: Min 0°C Max 90°C
- **Gas** - Working Temp: °C Max 60°C
- Forged Brass Body

Materials of Primary Components

- ① Valve Body: Forged Brass
- ② Steam Seat: Nylon 6
- ③ Seat: NBR
- ④ Spring: Stainless Steel AISI 302



| Dimensions | | | | | |
|------------|-----|------|------|-------------|------|
| Code | mm | H | L | Weight (kg) | kPa |
| CVY8 | 8 | | | | |
| CVY10 | 10 | 46.5 | 34.5 | 0.12 | 1172 |
| CVY15 | 15 | 47 | 34.5 | 0.14 | 1172 |
| CVY20 | 20 | 53 | 42 | 0.2 | 1172 |
| CVY25 | 25 | 58 | 47.5 | 0.27 | 1172 |
| CVY32 | 32 | 66.5 | 59.5 | 0.36 | 1172 |
| CVY40 | 40 | 68 | 68 | 0.57 | 1172 |
| CVY50 | 50 | 77 | 86.5 | 0.77 | 1172 |
| CVY65 | 65 | 93 | 102 | 1.55 | 1172 |
| CVY80 | 80 | 97 | 111 | 2.02 | 1172 |
| CVY100 | 100 | 110 | 140 | 2.98 | 1172 |