

Brass Ball Valve M&F

General Description

General purpose Ball Valve with male to female BSP threaded ends. Suitable for water, gas and oil applications. Comes complete with lockable lever. Also available in female to female BSP Thread .

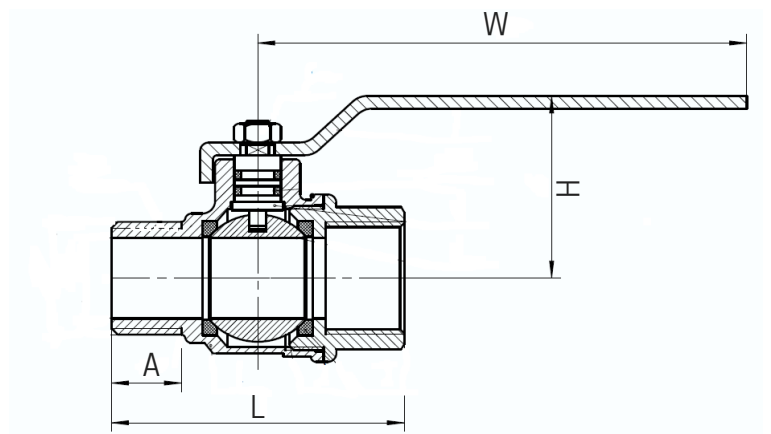


Technical Data

- Cold Working Pressure: 2500 kPa
- Max Working Temp: 60°C
- Coating: Fusion Bonded Epoxy Coating
- Thread: AS1722.1

Part List

- ① Valve Body: Forged Brass
- ② Seat Retainer: Brass (Nickle Plated)
- ③ Seat Retainer: P.T.F.E
- ④ Ball: Brass (Chromium plated)
- ⑤ Stem: Brass
- ⑥ Gland: Brass
- ⑦ Packing: Viton (Double O-Ring)
- ⑧ Lever: Stainless Steel (Plastic Coated)
- ⑨ Lever Retaining Nut: Brass (Nickle Plated)



Brass Ball Valve M&F				
Part #	L	H	W	A
LOBV15MF	59	40	96.5	14
LOBV20MF	65.5	44	115	17
LOBV25MF	74	49.5	115	17