

# OSY Flanged Gate Valve - Rising Spindle - AS2638.2



## General Description

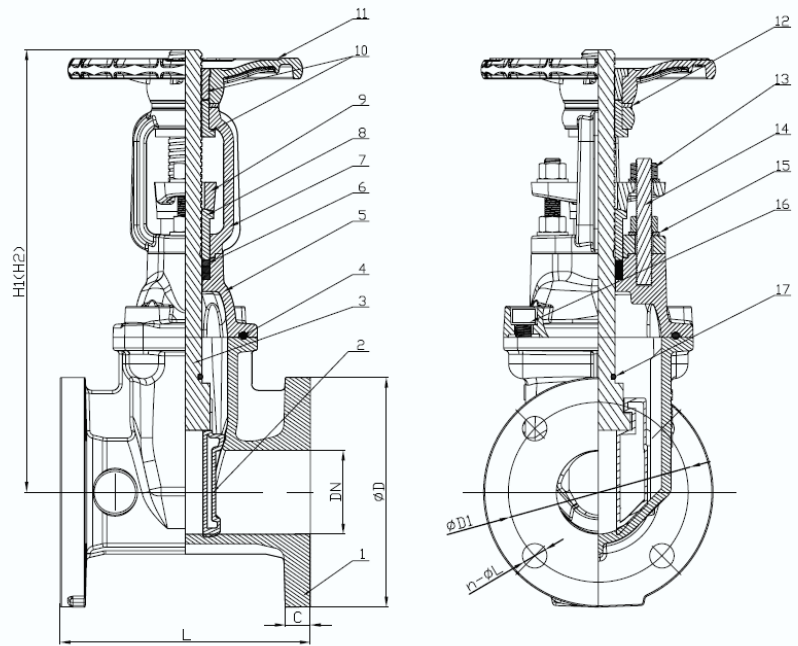
The MECH OSY Flanged Watermarked Gate Valve is used in areas where watermark certification is required.

## Technical Data

- Working Pressure: 300 PSI
- Temperature range: 0°C - 80°C
- Connections: Available in Table E
- Coating: Fusion Bonded Epoxy Coating

## Part List

- ① Valve Body: Cast Iron
- ② Resilient Wedge Disk: Cast Iron
- ③ Stem: Stainless Steel
- ④ Bonnet Gasket: EPDM
- ⑤ Bonnet: Cast Iron
- ⑥ Stem Packing: EPDM
- ⑦ Yoke: Cast Iron
- ⑧ Stem Bushing: Brass Hpb59-1
- ⑨ Gland: Cast Iron
- ⑩ Stem Nut: Brass Hpb59-1
- ⑪ Handwheel: Cast Iron
- ⑫ Washer: Brass Hpb59-1
- ⑬ Gland Nut: Carbon Steel Zinc Plated
- ⑭ Stud: Carbon Steel Zinc Plated
- ⑮ Flat Washer: Carbon Steel Zinc Plated
- ⑯ Nut: Carbon Steel Zinc Plated
- ⑰ O-Ring: EPDM



Dimensions									
Code	Inch	mm	L	H1(Close)	H2(open)	D	D1	C	n-ØL
GV100RSC	4"	100	229	471	573	229	190.5	19.1	4-Ø19.1
GV150RSC	6"	150	267	601	755	279	241.3	19.1	4-Ø22.2