

Brass Gate Valve

General Description

BSP Threaded Brass Gate Valve with manual hand wheel operation. .

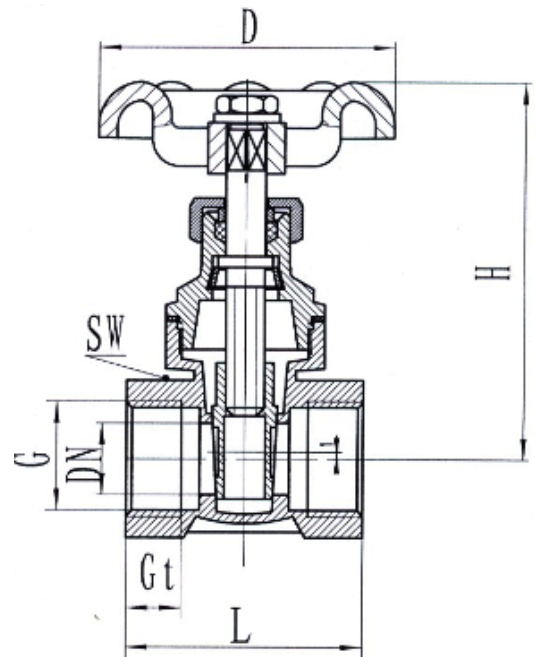


Technical Data

- Thread: BSPT
- Max Working Temperature: 180°C
- Cold Working Pressure: 1600kPa

Materials of Primary Components

- ① Body: Forged Brass Body
- ② Bonnet: Brass
- ③ Wedge: Brass
- ④ Stem: Brass
- ⑤ Hand Wheel: Ductile Iron
- ⑥ Threading: BSPT



General Purpose Brass Gate Valve				
Part No #	Size	L	H	D
GVT10	3/8	43	60	46
GVT15	1/2	43	75	54
GVT20	3/4	48	76	54
GVT25	1	52	86	58.5
GVT32	1 1/4	60	100	71.5
GVT40	1 1/2	65	115	71.5
GVT50	2	70	133	80
GVT65	2 1/2	84	165	100
GVT80	3	90	195	107
GVT100	4	97	240	128