

Roll Grooved Swing Check Valve

General Description

The MECH Check Valve is a easy to install, compact, cost effective valve offering low pressure- drop and no slam performance. It can be installed in both horizontal or vertical line with upward flow. The MECH Roll Grooved Swing check valve is UL listed and FM approved.

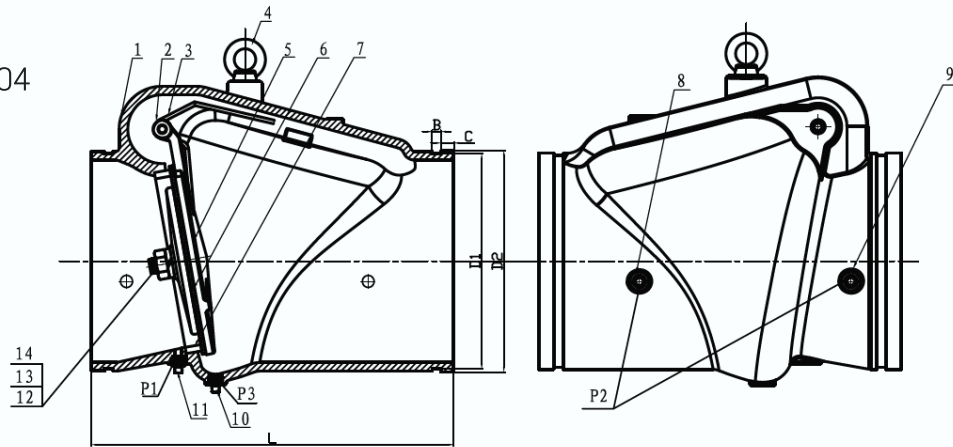
Part List

- ① Valve Body: Cast Iron
- ② Hinge Pin: Stainless Steel AISI 420
- ③ Spring: Stainless Steel AISI 304
- ④ Eye Bolt: Carbon Steel Zinc Plated
- ⑤ Disc: 50-100mm Stainless Steel AISI304
150-300mm Cast Iron
- ⑥ Disc Sealing Ring: EPDM
- ⑦ Seat Ring: Copper (Pressed Fit)
- ⑧ Plug: Galvanised Malleable
- ⑨ Plug: Galvanised Malleable
- ⑩ Plug: Galvanised Malleable
- ⑪ Plug: Galvanised Malleable
- ⑫ Bolt: Stainless Steel AISI 304
- ⑬ Washer: Stainless Steel AISI 304
- ⑭ Nut: Stainless Steel AISI 304



Technical Data

- Working Pressure: 300 PSI
- Temperature range: 0°C - 80°C
- Connections: Roll Groove
- Coating: Fusion Bonded Epoxy Coating



Code	Dimensions (mm)									
	Inch	mm	L	D1	D2	B	C	P1	P3	P2
SCV50RG	2"	50	171	57.15	30.3	7.93	15.88	½	½	¾
SCV65RG	2.5"	65	184	69.09	73.0	7.93	15.88	½	½	¾
SCV80RG	3"	80	197	84.94	88.9	7.93	15.88	½	½	¾
SCV100RG	4"	100	210	110.08	114.3	9.53	15.88	½	½	¾
SCV150RG	6"	150	324	163.96	168.3	9.53	15.88	½	½	¾
SCV200RG	8"	200	371	214.4	219.1	11.13	19.05	½	½	¾
SCV250RG	10"	250	457	268.25	273.0	12.7	19.05	½	½	¾