

OSY Roll Grooved Gate Valve - Rising Spindle

General Description

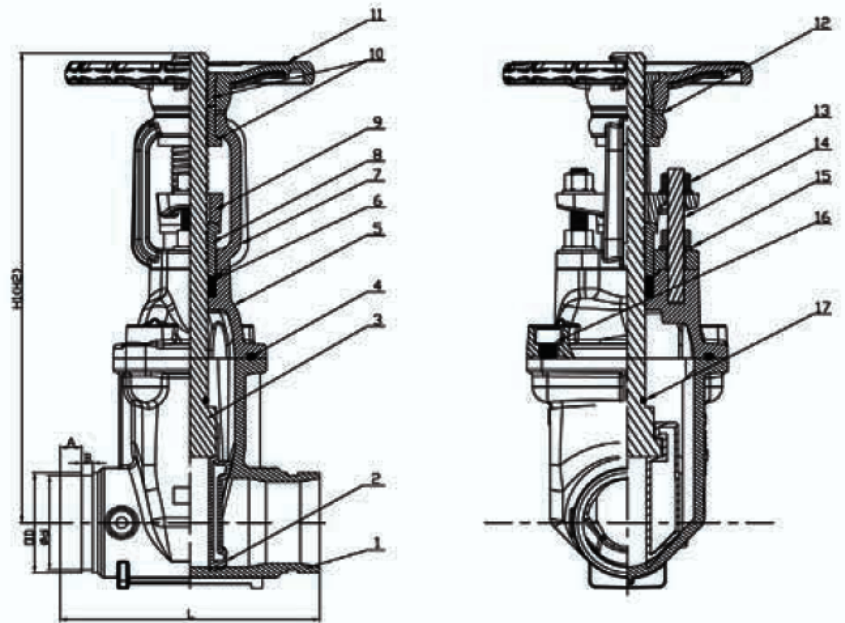
The MECH OSY Roll Grooved Gate Valve is used in fire protection systems for on/off operation. Connection ends are Roll Grooved. UL listed and FM approved.

Technical Data

- Working Pressure: 300 PSI
- Temperature range: 0°C - 80°C
- Connections: Roll Grooved
- Coating: Fusion Bonded Epoxy Coating

Part List

- ① Valve Body: Cast Iron
- ② Resilient Wedge Disk: Cast Iron
- ③ O-Ring: NBR
- ④ Stem: Stainless Steel
- ⑤ Nut: Carbon Steel Zinc plated
- ⑥ Bonnet: Cast Iron
- ⑦ Stem Bushing: Brass Hpb59-1
- ⑧ Gland: Cast Iron
- ⑨ Flat Washer: Carbon Steel Zinc plated
- ⑩ Stud: Carbon Steel Zinc plated
- ⑪ Nut: Carbon Steel Zinc plated
- ⑫ Yoke: Cast Iron
- ⑬ Stem Nut: Brass Hpb59-1
- ⑭ Washer: Brass Hpb59-1
- ⑮ Locknut: Carbon Steel Zinc plated
- ⑯ Handwheel: Cast Iron
- ⑰ Stem Packing: EPDM
- ⑱ Bonnet Gasket: EPDM



Dimensions									
Code	Inch	mm	L	H1 (Close)	H2 (open)	OD	d	A	B
GV65RSRG	2.5"	65	190	343	408	76.1	72.26	15.88	7.92
GV80RSRG	3"	80	203	370	450	88.9	84.94	15.88	7.92
GV100RSRG	4"	100	229	442	542	114.3	110.08	15.88	9.52
GV150RSRG	6"	150	267	608	758	165.1	160.9	15.88	9.52
GV200RSRG	8"	200	292	720	920	219.1	214.4	19.05	11.13