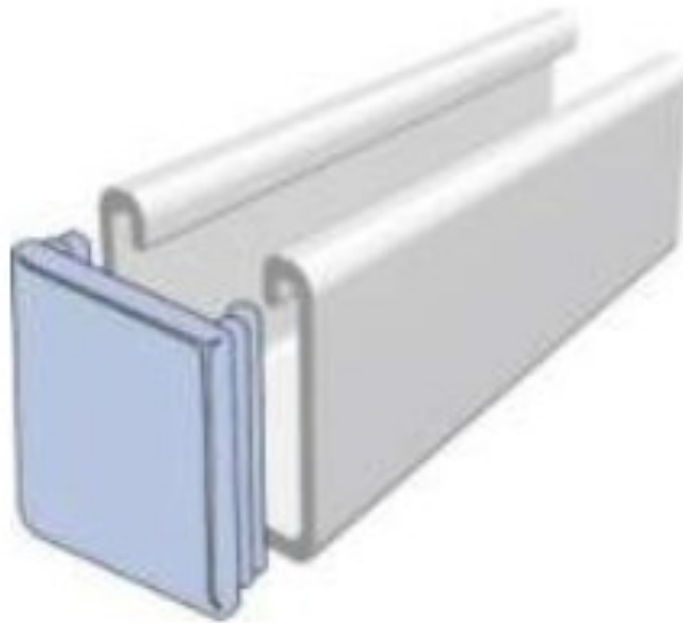


# Channel End Cap



**Size: 40mm x 40mm**

**Material: PVC**

**Finish: PVC**

**Features: End Cap for P1000 & P2000 Channels**

**Part Number: P2240**