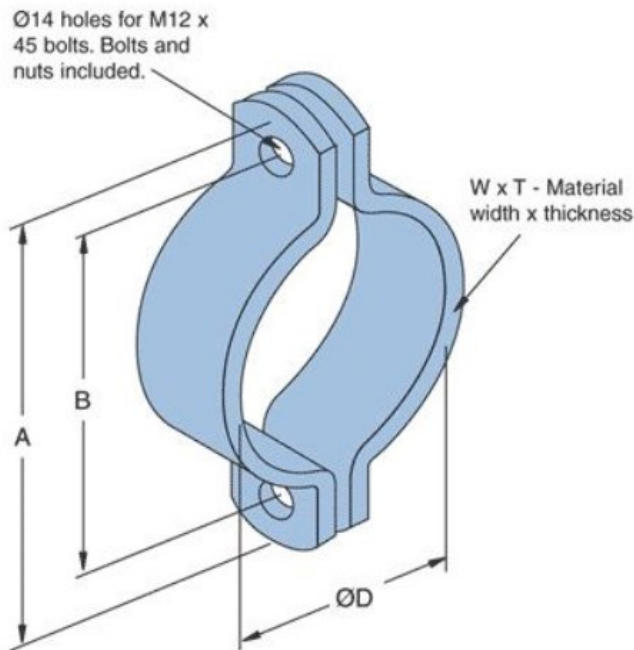


# Mechanical Clamp — Medium Duty



**Application:** Suit Steel pipe in medium duty Plumbing and Fire Protection applications

**Material:** Carbon Steel

**Finish:** Galvanised

**Features:** Efficient Installation—  
Eliminates the need for any drilling.



Code	Pipe DIA	ØD	A	B	W x T	Bolt
UN16-60	50mm	60	154	114	40x6	M12x45
UN16-76	65mm	76	170	130	40x6	M12x45
UN16-89	80mm	89	183	143	40x6	M12x45
UN16-114	100mm	114	210	170	40x6	M12x45
UN16-140	125mm	140	234	194	40x6	M12x45
UN16-165	150mm	165	259	219	40x6	M12x45
UN16-219	200mm	200	313	273	40x6	M12x45
UN16-273	250mm	250	367	327	40x6	M12x45
UN16-324	300mm	300	418	378	40x6	M12x45