

## Brass Swing Check Valve

### General Description

Brass swing check valve is used in a horizontal position to prevent backflow. The check mechanism of the design incorporates a disk which swings on a hinge.

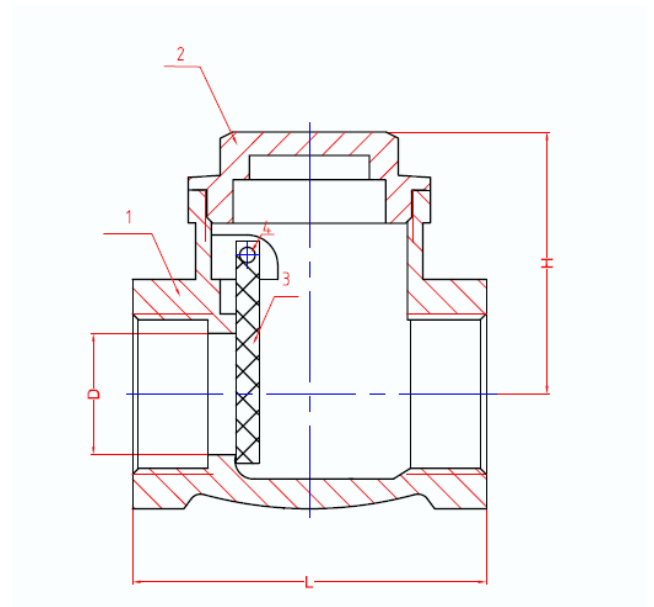


### Technical Data

- Thread: AS1722.1
- Cold Working Pressure: 1380kPa
- Max working Temperature: 200°C
- Forged Brass Body

### Materials of Primary Components

- ① Valve Body: Forged Brass
- ② Bonnet: Brass
- ③ Hinge Pin-Nut: Brass



Brass Swing Check Valve				
Part #	Size	H	L	D
SCVT15	1/2	34	47	13
SCVT20	3/4	38	57	19
SCVT25	1	45	65	21
SCVY32	1 1/4	51	69	27
SCVT40	1 1/2	57	83	33
SCVT50	2	65	94	38
SCVT65	2 1/2	75	105	48
SCVT80	3	85	135	64
SCVT100	4	105	160	85