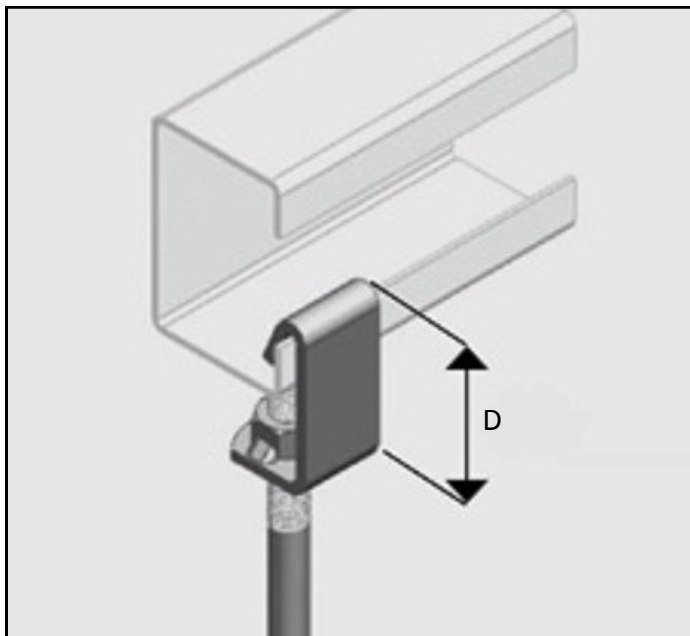


# E2 Purlin Clips



**Application:** Non drilling anchoring system for threaded rod hangers.

**Finish:** Zinc Plated

**Features:** Efficient Installation—Eliminates the need for any drilling.



E2 Purlin Clips			
Part #	Rod Size	D	Rated Load
E210	M10	50	102kg
E212	M12	54	108kg